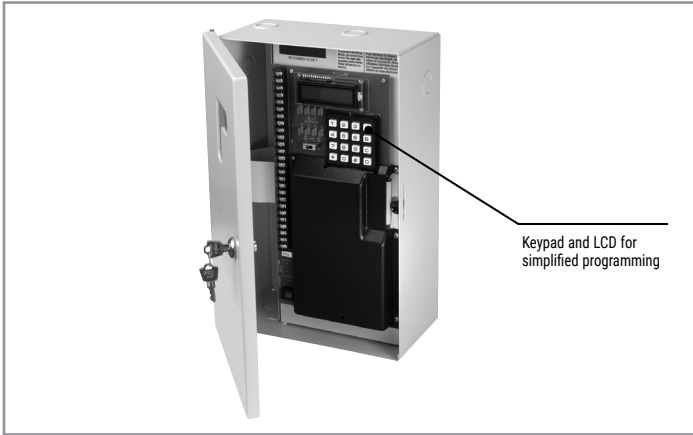


Project		Catalog #		Type	
Prepared by		Notes		Date	



Greengate

LK8

LiteKeeper 8

- Interactive Menu**
- Order Information page 2
 - Additional Resources page 3
 - Wiring Diagrams page 4
 - Connected Systems page 4
 - Product Warranty

Product Certification

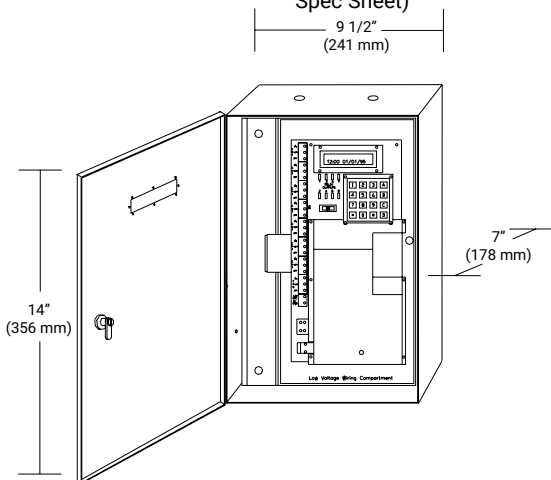
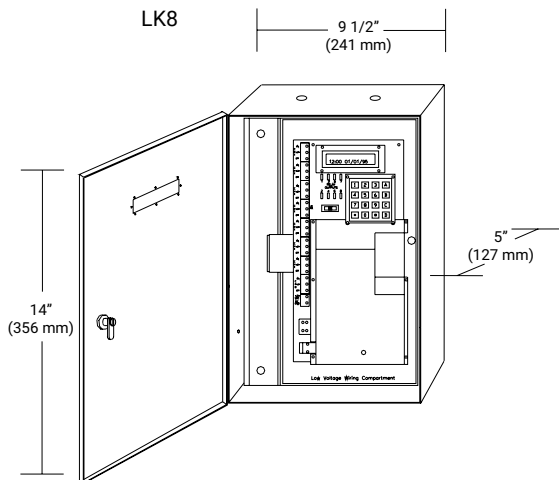


Top Product Features

- Manual and programmable control of each relay via a simple keypad and 2 line LCD display
- Normally open, latched and two pole relays available
- Uses parallel relay cards
- Flush mount kit available
- Capable of controlling receptacle loads
- LED ready

Dimensional and Mounting Details

LK8-LRC, MRC, TPRC
(Replays sold separately; see XRC Spec Sheet)



additional product diagrams

Order Information

SAMPLE ORDER NUMBER: **LK8-LRC**

LK8	LRC	
Product Size	Options	Voltage
LK8= LiteKeeper 8	Blank = Standard Relay Card (See XRC Spec Sheet) LRC = Latching Relay Card (See XRC Spec Sheet) MRC = Modular Relay Card (Does not include Relays; see XRC Spec Sheet) TPRC = Two Pole Relay Card (Does not include Relays; see XRC Spec Sheet)	Blank = 120/277 VAC 347 = Canada 347 VAC Transformer

Product Specifications

Enclosure

- NEMA 1 surface mount, lockable

Mechanical

Size:

- 14" H x 9.5" W x 5" D or 7" D

Environment:

- Operating temperature:** 32°F to 122°F (0°C to 50°C)

Transformer Ratings

Input Requirements:

- Multi-tapped 120/277 VAC internally fused standard
- Optional 347 VAC internally fused

Power Use Ratings: Fully loaded panel 40 watts

Master Override

- ON/AUTO/OFF

Programming

- Onboard keypad and LCD display
- Optional PC Software

Standard Relay Ratings

- 20A, 120/277VAC per relay
- 10A, 120/277VAC electronic ballast, (LED)
- Normally open
- Max wire size: 10 AWG
- Mechanical operations: 10 million

Latching Relay Ratings

- 20A, 120/277VAC electronic ballast (LED)
- 15A, 347 VAC
- Maximum wire size: 6 AWG
- Mechanical operations: 10 million
- Provides a system SCCR rating of 10,000A

Two Pole Relay Ratings

- 20A, 208/240/480 VAC
- Normally open
- Maximum wire size: 6 AWG
- Mechanical operations: 10 million

Standards/Ratings

- UL 916 Listed

Warranty

Five year warranty standard

Overview

The LiteKeeper 8 stand-alone lighting control panel is an all-inclusive, premium grade system for applications that would traditionally use a timeclock in conjunction with contactors. Control up to 8 relays per panel. Several relay options and more standard features than any other stand-alone panel on the market combine to create a state of the art stand-alone lighting control system.

System Includes:

- UL Listed – UL 916 standard
- NEMA 1 enclosure
- 8 relays
- 8 low voltage input connections
- Time schedules with astronomic clock
- Prioritization and masking of switch inputs, time schedules and remotes
- Timed inputs
- Occupant warn-off and overrides
- Keypad and 2 line LCD display
- RS-232 port standard

Accessories:

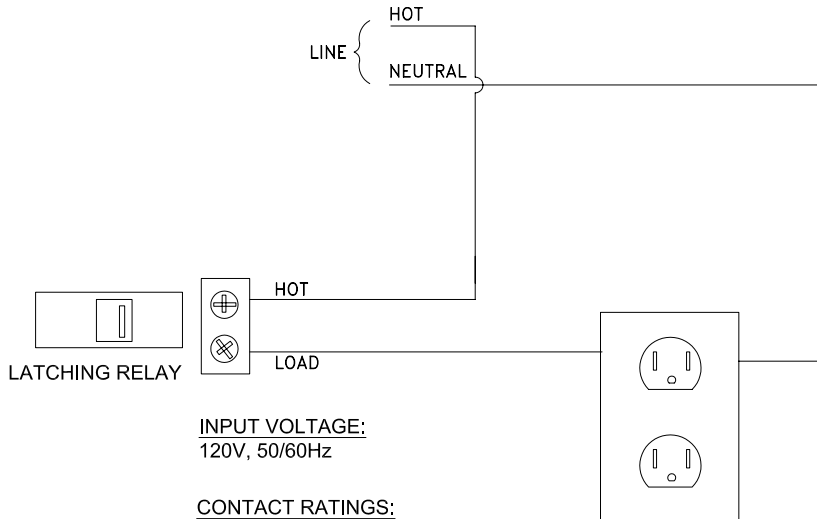
- Keeper Enterprise Software
- Ethernet Interface Module
- Greengate Digital Switch (GDS)
- Dry Contact Switches
- Contact Input Photosensor
- Occupancy Sensor
- CEPC (UL 924 Accessory)

Wiring Diagrams

Latching Relay Receptacle Control

Control Systems

- Greengate



INPUT VOLTAGE:
120V, 50/60Hz

CONTACT RATINGS:
20A 120VAC BALLAST
16A 120VAC INCANDESCENT
20A 277VAC BALLAST
1.5HP 120VAC

Sample One-Line

