

EISSBox OpenADR Dry Contact Device

Catalog#	Prepared by
Project	Date
Comments	Type

Overview

The EISSBox™ is a Virtual End Node (VEN) device installed at the customer site and receives secure OpenADR 2.0 web services from the Utility and provides a signal to the lighting control system.

Features

- OpenADR 2.0b certified virtual end node (VEN)
- Reduce energy costs by participating in Demand Response programs
- Improve operating costs by participating in utility incentive programs
- Open standard for Smart Grid compatibility
- Internal web pages for simple configuration



April 2015

Specifications

Voltage	2 Amp power supply included
Connection Ports	RJ45 for connection to the Internet
IP Requirements	DHCP IP address
Installation	Standard decorator opening
Operating Environment	Temperature: 32° F to 104° F (0° C to 40° C) Relative humidity: Less than 95%, non-condensing For indoor use only
Size	9" H x 6" W x 3" D

Standards



Description/Operation

The EISSBox helps the site meet Demand Response program requirements. Demand Response helps reduce the burden on the power grid and many utility company's across the country are creating incentive programs for customers that allow the utility to send automatic demand response requests to reduce the lighting load.

The EISSBox implements OpenADR 2.0 flexible security model to connect to the Utility VTN Server and receive demand response requests. Once the EISSBox receives the event it will provide a signal to the lighting control system to reduce the lighting load.

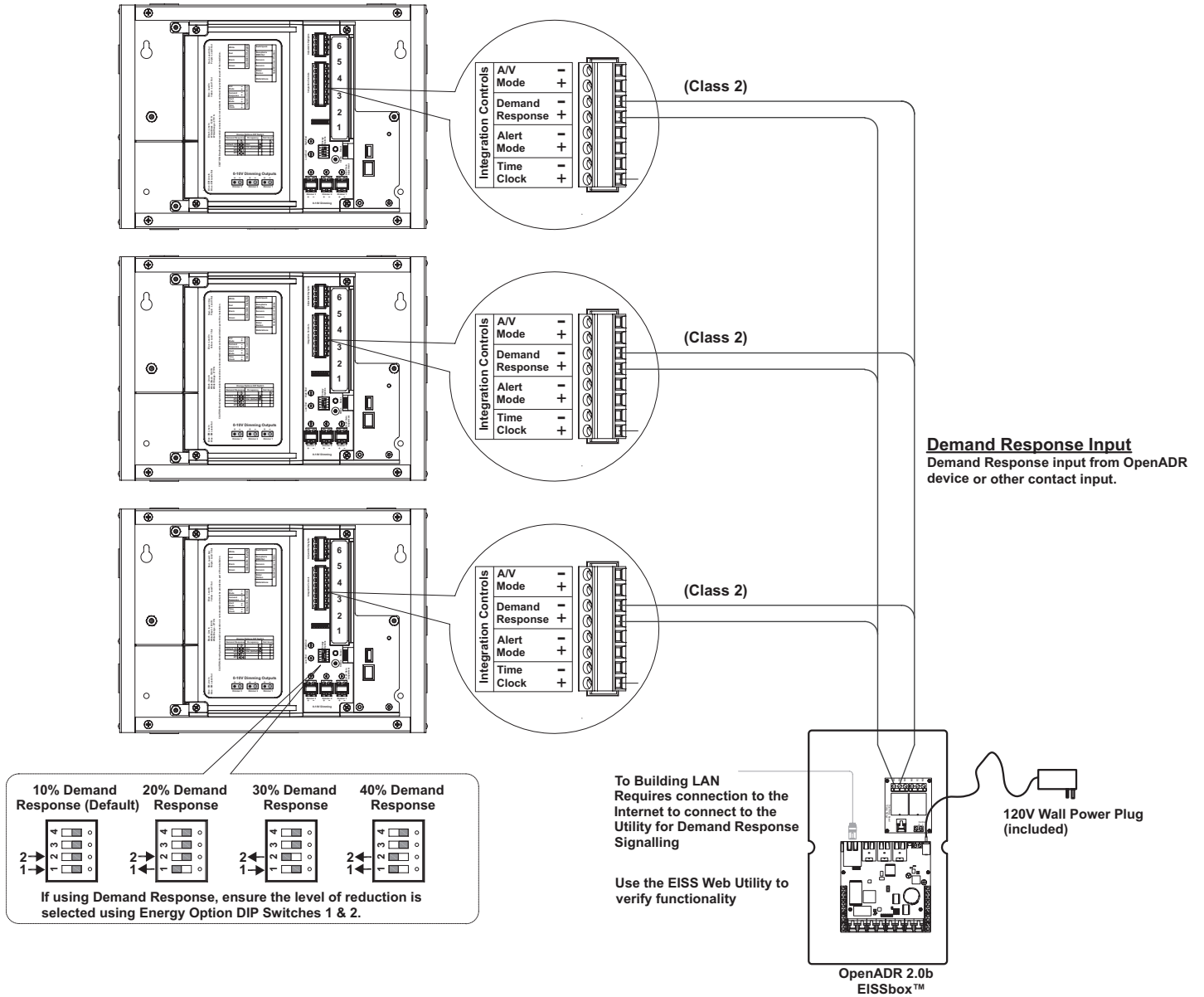
Installation

The EISSBox is located close to a lighting control panel and its outputs are wired to the Demand Response input on the lighting control panel. The EISSBox requires a connection to the internet and comes with an external plug in power supply.

Wiring Diagram

Control Sequence: Demand Response input ensures light level reduction based on Energy Option DIP Switch setting at each Room Controller. The light level reduction occurs regardless of occupancy, daylighting or wallstation current setting. Demand Response light level reduction reduces lighting at a 5% dimming rate to limit occupant impact.

When Demand Response Input is removed the lighting will remain at the current level until a change of state from an wallstation, occupancy sensor. This provides further energy savings by keeping the lighting at a reduced level until a user action.



April 2015

Ordering

Catalog #	Description
EBOX-2B-DC	EISSBox OpenADR Dry Contact Device
EBOX-ASF	EISSBox 12 month maintenance and support (must be included for each EBOX-2B-DC ordered)

Eaton
1000 Eaton Boulevard
Cleveland, OH 44122
United States
Eaton.com

Eaton
Lighting Systems – Controls Products
203 Cooper Circle
Peachtree City, GA 30269
coopercontrol.com

© 2015 Eaton
All Rights Reserved
Printed in USA
Publication No. ACC141033
April 22, 2015

Eaton is a registered trademark.
All other trademarks are property
of their respective owners.