

# CKT16, CKT32 & CKT48 ControlKeeper TouchScreen

Catalog#	Prepared by
Project	Date
Comments	Type

## Overview

The ControlKeeper TouchScreen network lighting control panel is a cost-effective, specification grade lighting control system that can control up to 48 relays per panel. Network up to 254 ControlKeeper panels for a state of the art lighting control system.


## Features

- Capable of mixed load voltages as well as mixed sources (i.e. normal and emergency power)
- Capable of controlling receptacle loads
- Normally open, latched and two pole serial relays available
- 30 Amp relays one used on all 20A relay cards to extend relay life
- Suitable to control LED loads, review relay card specifications



*Powering Business Worldwide*

## Specifications

<b>Enclosure</b>	NEMA 1 surface mount, lockable
<b>Size</b>	<ul style="list-style-type: none"> <li>•CKT16: 18"H X 15"W X 6.25"D (up to 16 relays)</li> <li>•CKT32: 30"H X 15"W X 6.25"D (up to 32 relays)</li> <li>•CKT48: 41"H X 15"W X 6.25"D (up to 48 relays)</li> </ul>
<b>Transformer Ratings</b>	<ul style="list-style-type: none"> <li>•Multi-tapped 120/277 VAC internally fused standard</li> <li>•Optional 347 VAC internally fused</li> <li>•Optional 220/230 VAC 50/60 Hz internally fused</li> <li>•Optional 220/240 VAC 50/60 Hz internally fused</li> </ul>
<b>Operating Environment</b>	Temperature: 32°F to 122°F (0°C to 50°C)
<b>Master Override</b>	ON/AUTO/OFF
<b>Programming</b>	Onboard TouchScreen Interface Optional PC Software
<b>Standard Relay Ratings</b>	20A, 120/277VAC per relay 10A, 120/277VAC electronic ballast, (LED) Normally open Max wire size: 10 AWG Mechanical operations: 10 million
<b>Latching Relay Ratings</b>	20A, 120/277 VAC electronic ballast (LED) 15A, 347 VAC Maximum wire size: 6 AWG Mechanical operations: 10 million Provides a system SCCR rating of 10,000A
<b>Two Pole Relay Ratings</b>	20A, 208/240/480 VAC Normally open Maximum wire size: 6 AWG Mechanical operations: 10 million
<b>Standards</b>	UL Approval UL 916 Listed UL 924 with RIM 

## System Includes

- UL listed – UL 916 standard
- NEMA 1 enclosure
- 32 low voltage input connections
- Digital Switch Interface
- Time schedules with astronomic clock
- Prioritization and masking of switch inputs, time schedules and remotes
- Timed inputs
- Occupant warn-off and overrides
- TouchScreen
- RS-232 port standard
- RS-485 network standard
- 4 analog inputs
- UL Listed - UL 924 with RIM
- Controls receptacle loads with latching relay card

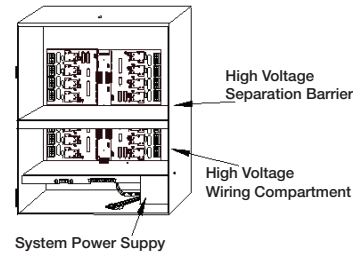
## Accessories

- Keeper Enterprise Software
- CEPC (UL 924 Accessory)
- Ethernet Interface Module
- Greengate Digital Switch (GDS)
- Low Voltage Switches
- Flush Mount Kit Available
- High Voltage Barrier
- Occupancy Sensors

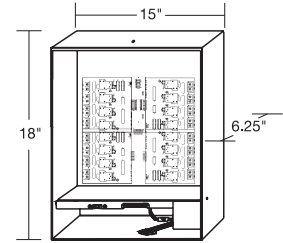
## Dimensions

### Enclosure

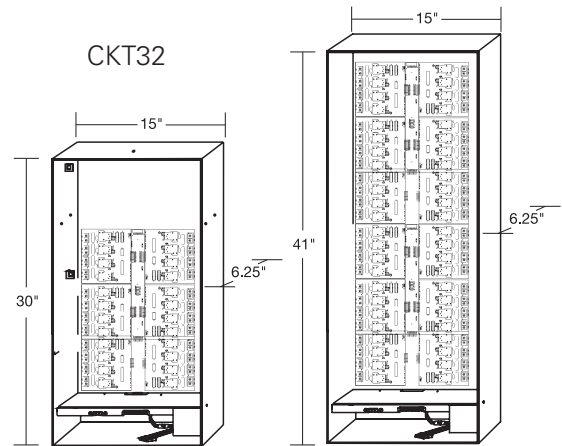
#### High Voltage Barrier and Dividers



CKT16

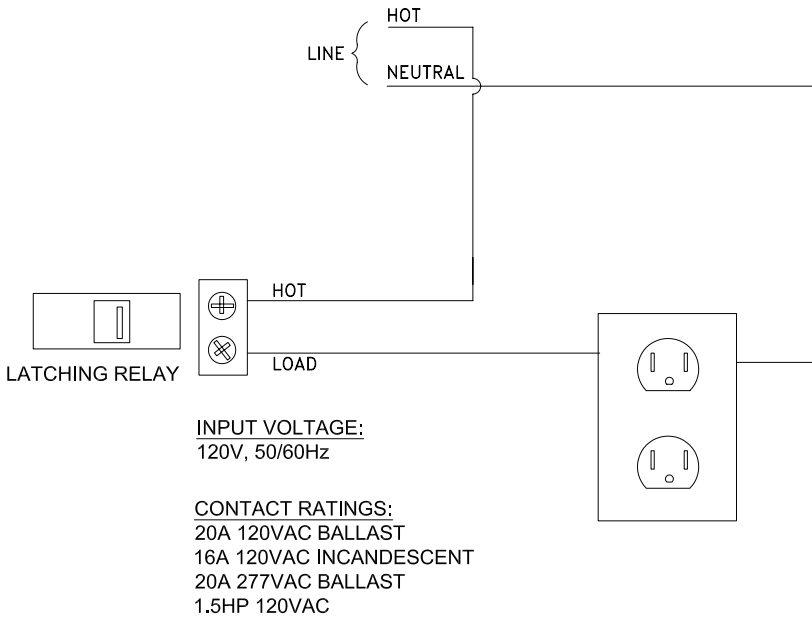


CKT48

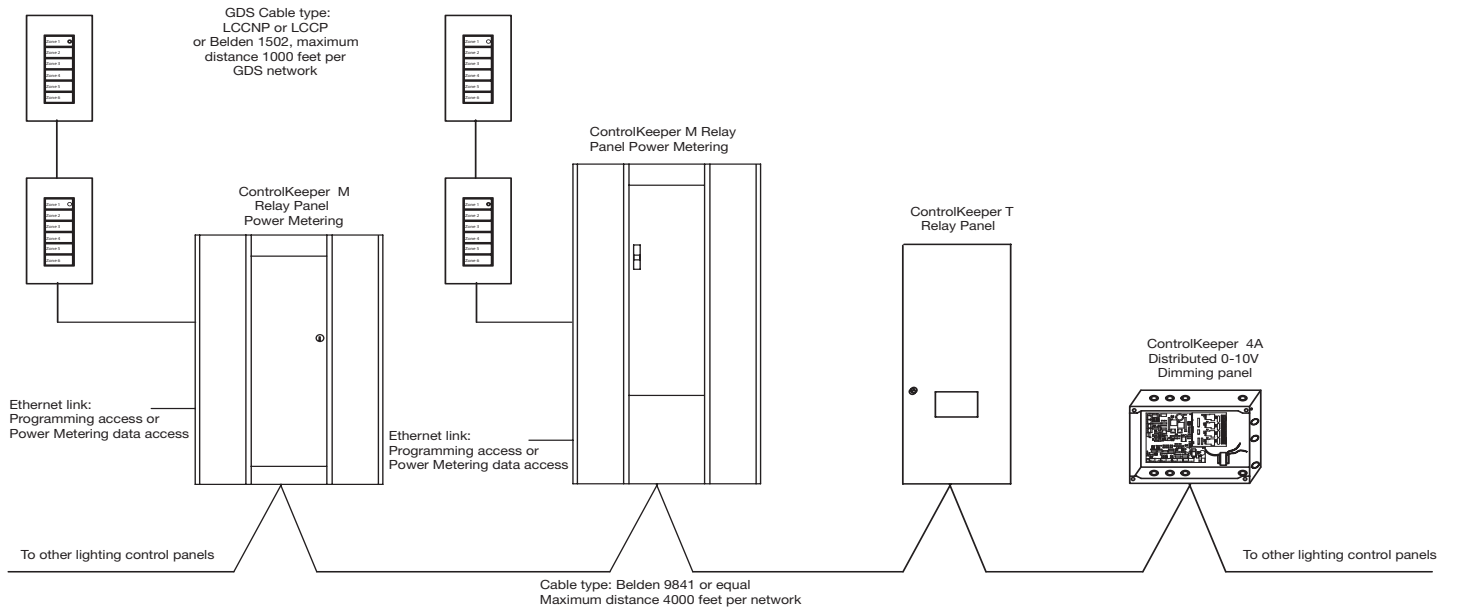


## Wiring Diagram

### Latching Relay Receptacle Control



### ample One-Line



## Ordering

All ControlKeeper TouchScreen lighting control panels require a Logic Board (CKT LB). The logic board is shipped separately from the enclosure and is listed as a separate line item. When ordering any of the below models, you must also order the CKT LB.

### CKT16 - 120/277 - SS1 - SL1 - ST0 - SHVB1 - SHVD1

Product Size	
CKT	= ControlKeeper TouchScreen
16	= 16 Size
32	= 32 Size
48	= 48 Size

Voltage	
120/277	= 120/277V 60 Hz
120/347	= 120/347V 60 Hz
220/230	= 220/230V 50/60 Hz
220/240	= 220/240V 50/60 Hz

# of SSR's	
0-4 Cards	= 16 Size
0-8 Cards	= 32 Size
0-12 Cards	= 48 Size
(See SXRC cut sheet)	

# of SLRC's	
0-4 Cards	= 16 Size
0-8 Cards	= 32 Size
0-12 Cards	= 48 Size
(See SXRC cut sheet)	

# of High Voltage Dividers	
0-1	= 16 Size
0-3	= 32 Size
0-6	= 48 Size
Factory installed in the lowest location of the panel	

# of High Voltage Barriers	
0-1	= 16 Size
0-3	= 32 Size
0-5	= 48 Size
Factory installed in the lowest location of the panel	

# of STPRC's	
0-4 Cards	= 16 Size
0-8 Cards	= 32 Size
0-12 Cards	= 48 Size
(See SXRC cut sheet)	

Catalog #	Description
CKT LB	ControlKeeper TouchScreen Logic Board (required per enclosure)
CKT16 FK	ControlKeeper TouchScreen 16 size Flushmount Kit (option)
CKT32 FK	ControlKeeper TouchScreen 32 size Flushmount Kit (option)
CKT48 FK	ControlKeeper TouchScreen 48 size Flushmount Kit (option)

**Eaton**  
1121 Highway 74 South  
Peachtree City, GA 30269  
P: 770-486-4800  
[www.eaton.com/lightingsystems](http://www.eaton.com/lightingsystems)  
For service or technical assistance:  
1-800-553-3879

© 2018 Eaton  
All Rights Reserved  
Printed in USA  
Publication No. TD503127EN  
March 1, 2018

Specifications and dimensions subject to change without notice.