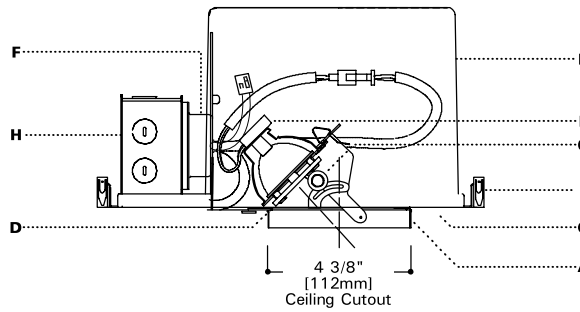


DESCRIPTION

A specification grade residential platform that accepts low voltage MR16 lamps. The platform is Air tight to prevent energy loss, room drafts, dust marks on ceilings, and reduce sound transmission. Insulation must be kept 3" away from side and top of units. A complete fixture requires two components; a P-N3MR platform, and a 3" Iris optical element. Elements may be changed after installation to provide a variety of distributions.



SPECIFICATION FEATURES

A...Frame

Hot dipped galvanized 20 Gauge steel frame with integral 1/2" plaster lip. Plaster lip has centerline notches for consistent alignment of units. Lip allows quick installation in drywall or wet plaster ceilings.

B...Housing

22 Gauge steel housing allows for heat dissipation. Housing interior is matte black to provide a visually dark interior. Platforms are shipped with overspray protector installed in aperture.

C...Adjustability

Removable lamp adjustment mechanism provides up to 45° tilt and 361° rotation and locks into any aiming position. Translating center beam optics maximize light output. Mechanism features hot aiming capability, indicator marks to ensure consistent aiming for multiple units and toolless locking for both rotation and elevation. Unit is relamped without unlocking adjustments. Elements are keyed for proper insertion. Adjustment mechanism can be removed through the aperture for maintenance from below.

D...Lens

Soft focus lens standard for smooth beam patterns. Up to two filter media can be used which are retained in position during relamping.

E...Socket

GX5.3 base for Bi-pin MR16 lamps. Back light shield keeps interior of fixture dark.

F...Transformer

Truvolt® toroidal transformer with dual-output taps for proper 12.0V operation. Dimmer tap compensates for inherent voltage loss from dimmers, resulting in 30% more lumens than traditional laminated transformers. Toroidal design, with 90% or greater efficiency, features a rolled one-piece continuous core of M3 grade grain oriented silicon steel complete with an integral thermal to protect against overheating and ensure quiet operation. For dimming, use dimmers rated for electromagnetic transformers. **Transformer is war-**

anted for 5 years and is serviceable from below ceiling.

Note: If a dimming system is operated for construction lighting in its "shunt" mode, i.e. bypassing the dimmer modules, for an extended period of time, fixtures with the dual-tap toroidal transformer should be operated on the "Switched Fixture" output until the dimmers are in use. Operating fixtures on the "Dimmed Fixture" output with a full 120v input for an extended period will overdrive the lamp and cause shortened lamp life.

G...Gaskets

Closed cell gaskets provide Air tight installation without caulking of aperture. Unit is Air tight without Element installed.

H...Junction Box

18 cubic inches, listed for 4#12 AWG or 6#14 AWG 90° C additional feed through conductors, has three 1/2 inch pryouts.

I...Bar Hangers

No Flex® bar hangers shipped with platform. Hangers are captive and feature set screws to provide positive horizontal locking. Bars span up to 22.5" for 24"o.c. spacings of wood, engineered wood and steel frame joists. Nailless barb and locator lip provide consistent installation height. For installation in T-bar ceilings order accessory MBCLP.

J...Codes

Thermally protected, IP labeled. Unit is airtight and exchanges less than 2.0 CFM with the plenum at a pressure of 75 pascals. Insulation must be kept three inches away from fixture sides and none on top as to entrap heat.

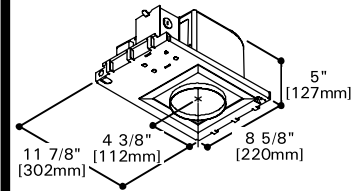
K...Labels

UL and cUL listed, standard damp label, wet listed with specific elements, IBEW union made. Installation instructions included with every unit.

PN3MR

71W MR16

**3" NON-IC
LOW VOLTAGE
PLATFORM**



ENERGY DATA

120V Input		
Lamp Watts	Input Watts	Operating Current
20	23	.19
35	41	.34
37	42	.35
42	47	.39
50	57	.48
65	70	.58
71	77	.64
75	81	.68

ORDERING INFORMATION

Platform

PN3MR

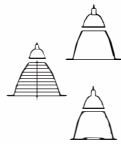
PN3MR = 3"
Airtight
Non-IC
Low
Voltage
Housing

Separate Accessories

MBCLP = Push On T Bar Clips (For 10 Units)
MRSKT = Replacement MR16 Socket, With
Lamp Shield And Keyed Quick
Connect
PLE3 = Plaster Lip Extension For Max 2"
Thick Ceiling
FMC3 = Flush Mount Collar

DOWNLIGHT

COMPLETE FIXTURE = PLATFORM + ELEMENT

**MR16¹** (71W maximum)**50° Cutoff Reflector** PN3MR E3MR_**50° Cutoff Baffle** PN3MR E3MRBB**1 1/4" Downlight Pinhole** PN3MR E3DNPIN**WALL WASH**

COMPLETE FIXTURE = PLATFORM + ELEMENT

**Lensed MR¹** (71W maximum)**Lensed Wall Wash** PN3MR E3LWW_**ADJUSTABLE ACCENT**

COMPLETE FIXTURE = PLATFORM + ELEMENT

**MR16¹** (71W maximum)**Slot Cut Reflector** PN3MR E3SLOT_**Angle Cut Reflector** PN3MR E3AA_**Angle Cut Baffle** PN3MR E3AABB**Shallow Angle Cut Reflector** PN3MR E3AA20_**MR16¹** (71W maximum)**1 1/4"** PN3MR E3PIN**2" Adjustable Pinhole** PN3MR E3PIN LARGE**2" Adjustable Pinhole with Radius Edge** PN3MR E3PINRD**2" Oval** PN3MR E3PIN OVAL**MR16¹** (71W maximum)**SUPER ADJUSTABLE** PN3MR E3SA
15° - 75°**SHOWER/LENSED**

COMPLETE FIXTURE = PLATFORM + ELEMENT

**Adjustable MR^{1,2}** (71W maximum)**Wet Location Angle Cut Reflector** PN3MR E3AASR_**Wet Location 2" Adjustable Pinhole (42W Max.)** PN3MR E3AASRPIN**Downlight MR^{1,2}** (71W maximum)**Wet Location 50° Cutoff Reflector** PN3MR E3SR_**ORDERING INFORMATION**

E-3SA is painted white, other finishes are B or RAW.

Note: All finishes are not available for all units. Consult individual specification sheets for further information.

All elements come with a white, removable die-cast flange ring. For alternatives, add appropriate flange code to the end of your unit number.

Note: Self flange is not available on baffles, pinholes or E-3SA.

OPTIONS**Finishes**C = Clear
BB = Black Baffle
H = Haze
WB = White Baffle
G = Gold
WMH = Warm Haze
B = Black
W = Gloss White Paint
MW = Matte White**Custom Finishes**K = Cognac
KH = Cognac Haze
CC = Chocolate
CCH = Chocolate Haze
GP = Graphite
GPH = Graphite Haze**Flanges**Blank = Matte white die-cast flange ring, removable for field painting
SF = Self Flange
RAW = Raw Cast Ring
SFWF = Self Flange Painted White
Pinhole Finishes
BLANK = White with black occulus
W = White with white occulus
POL = Polished aluminum with black occulus
SAL = Satin aluminum with black occulus
RAW = Raw die cast with black occulus1. For Remote Transformer order P3MR-REMOTE (Transformer not included)
2. Wet listed.