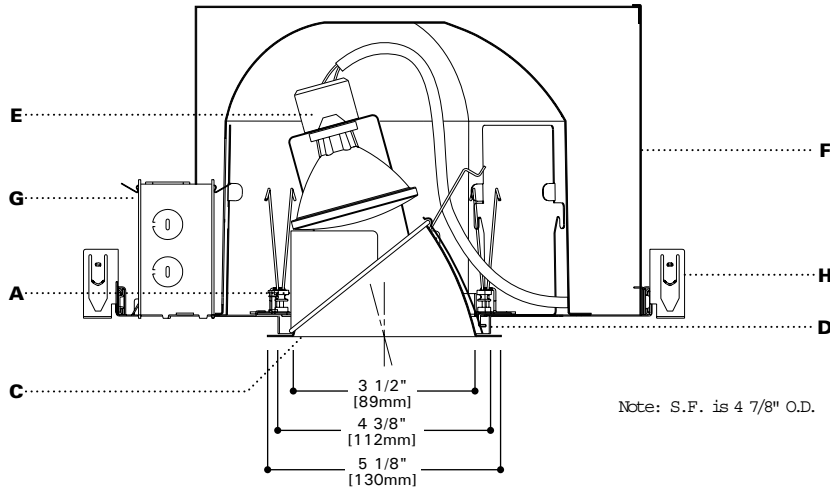


**DESCRIPTION**

Specification grade fixture rated for direct contact with insulation. The specular clear kicker reflector and frosted spread lens maximize light towards the wall for smooth wall illumination. Cutoff to lens and lens image is 50°. Accommodates PAR 20,

and PAR16 lamps. Halogen lamps provide excellent color and long life. **Optical element can be changed after installation to provide a variety of distributions. e.g. into an Adjustable.**



Note: S.F. is 4 7/8" O.D.

**SPECIFICATION FEATURES**

**A...Reflector**

.040 thick aluminum spun parabolic reflector in Clear, Gold, Haze, Warm Haze, Black Alzak® finish, painted gloss white or matte white. Special cone colors listed below.

**B...Lens**

Frosted spread lens is retained during relamping.

**C...Flange**

Self flange reflector or die-cast flange with either matte white or clear coat finish. Elements are keyed for proper insertion.

**D...Attachment**

Positive torsion springs pull flange tight to ceiling. Mechanical light trap eliminates spill light at edge of flange or reflector.

**E...Socket**

Nickel plated porcelain socket. Two position socket ensures consistent lamp position.

**F...Frame/Housing**

Hot dipped galvanized 20 gauge steel frame with built in 1/2 inch plaster lip. Gunsights allow

for consistent alignment. Aluminum .032 thick housing allows for heat dissipation and reduces weight. Matte black housing interior.

**G...Junction Box**

18 cubic inches, listed for 4#12 AWG or 6#14 AWG 90° C additional feed through conductors, has six 1/2 inch pryouts.

**H...Bar Hangers**

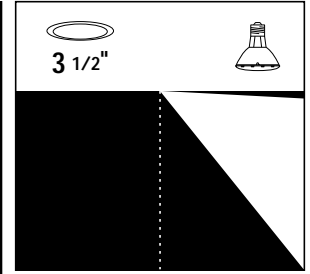
No Flex® bar hangers with positive locking, for use with wood, engineered wood and steel frame joists spaced up to 24" O.C. ship with platform. For use in T-bar ceilings order accessory MBCLP. Nailless barb and locator lip provide consistent installation height.

**I...Codes**

Thermally protected, IP labeled, for use in direct contact with insulation. Meets Washington State Air tight requirements, 1995 CABO Model Energy Code.

**J...Labels**

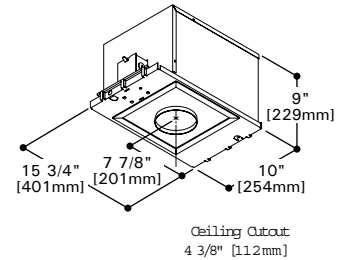
UL and cUL listed, IBEW union made.



**P3120  
E3LWW**

**35 W PAR 20  
45 W PAR 16**

**3" LENSED  
WALL WASH**



Ceiling Outcut  
4 3/8" [112mm]

**ORDERING INFORMATION**

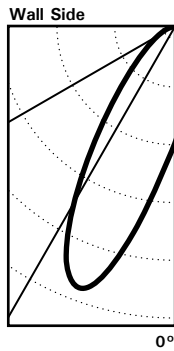
Complete unit consists of a platform and element

Platform	Optical Element	Finish	Flange	Accessories
<b>P3120</b>				
P3120 = 3" Airtight IC Rated Housing	E3LWW = 3" Lensed Wall Wash	<b>Standard</b> C = Clear H = Haze G = Gold WMH = Warm Haze W = Gloss White MW = Matte White B = Black <b>Custom</b> K = Cognac KH = Cognac Haze CC = Chocolate	<b>Custom Cont.</b> CCH = Chocolate Haze BU = Blush BUH = Blush Haze GP = Graphite GPH = Graphite Haze PN = Pine PNH = Pine Haze SK = Sky SKH = Sky Haze	Blank = Matte White Die-cast SF = Self Flange RAW = Natural Die-cast SFWF = Self Flange Painted White MBCLP = 40 Push On T Bar Clips (for 10 Units) PLE3 = Plaster Lip Extension for Max 2" Thick Ceiling

**PHOTOMETRICS**

**P3120-E3LWWC**

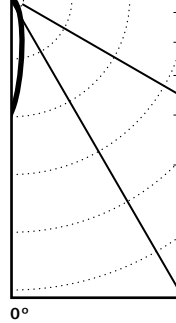
Test No. H21032  
 Lamp: 50PAR20N/FL  
 Lumens: 560  
 Cutoff: 50°  
 Efficiency: 38.9%



**Candelas**

CD Wall	Vertical Angle	CD Downlight
0	90	0
6	85	0
43	75	0
92	65	0
150	55	0
251	45	22
615	35	60
1143	25	96
1104	15	176
663	5	383
508	0	508

**Downlight Side**



**Luminance**

Degree	cd/m <sup>2</sup> @ 180°
85°	0
75°	0
65°	0
55°	0
45°	1347

**Single Fixture**

		3' Distance from Wall			
		1'	2'	3'	4'
DD	●				
1	2	1	0	0	0
2	8	4	1	0	0
3	7	5	2	0	0
4	5	4	2	1	0
5	3	3	1	1	0
6	2	2	1	1	0
7	1	1	1	1	0
8	1	1	1	0	0
9	1	1	0	0	0
10	0	0	0	0	0

**2'6" Distance from Wall**

		24" O.C.		32" O.C.	
		●	●	●	●
DD	●				
1	1	1	1	1	1
2	4	4	4	4	3
3	7	7	7	6	6
4	6	7	6	6	6
5	5	5	5	4	5
6	4	4	4	3	4
7	3	3	3	2	3
8	2	2	2	2	2
9	1	2	1	1	1
10	1	1	1	1	1

**1'6" Distance from Wall**

		18" OC		24" OC	
		●	●	●	●
DD	●				
1	7	7	7	7	5
2	17	17	17	15	13
3	13	14	13	11	11
4	7	8	7	7	7
5	5	5	5	4	5
6	3	3	3	3	3
7	2	2	2	2	2
8	2	1	2	1	1
9	1	1	1	1	1
10	1	1	1	1	1

**Notes and Formulas:**

**Luminance:** To convert cd/m<sup>2</sup> to footlamberts, multiply by 0.2919

**Cone of Light:**

- Beam diameter is to 50% of maximum footcandles, rounded to the nearest half-foot.
- Footcandle values are initial. Apply appropriate light loss factors where necessary.

For optimal wall washing space fixtures equal to the distance from the wall.

**CU Notes/Formulas:**

- $\text{maintained illuminance} = \frac{\text{lamp lumens} \times \text{CU} \times \text{light loss factors}}{\text{room area}}$
- $\text{total number of luminaires} = \frac{\text{total room area} \times \text{maintained illuminance}}{\text{lamp lumens} \times \text{CU} \times \text{light loss factors}}$
- CU data based on 20% effective floor cavity reflectance.

Note: Specifications and Dimensions subject to change without notice.

Visit our web site at [www.cooperlighting.com](http://www.cooperlighting.com)

