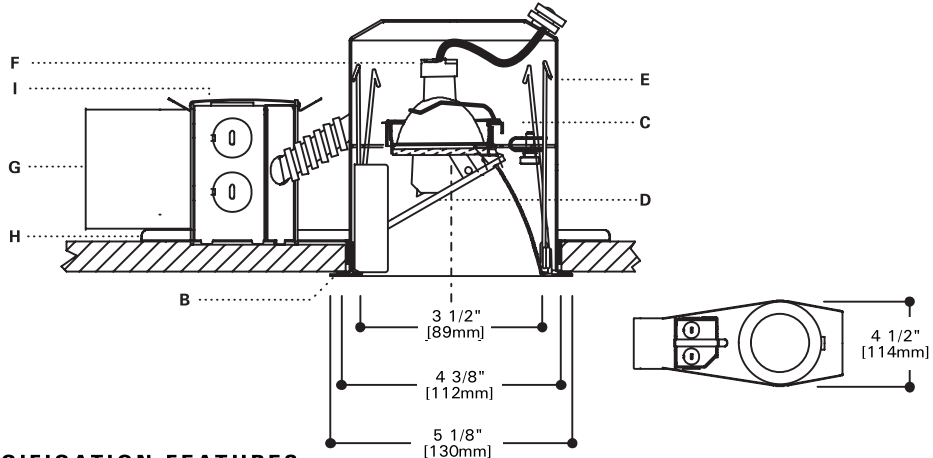


DESCRIPTION

A specification grade 50 Watt MR16 lensed wall wash fixture for installation through existing ceilings. Fixture fits into tight 2" x 6" construction areas and from 1/2" to 1 1/2" ceiling thicknesses. A complete installation requires two components; the RPN-3MR remodel platform and a 3" Iris element. Elements may be changed after

installation to provide a variety of distributions. All Iris elements provide 50° cutoff to lamp and lamp image for glare-free lighting. Elements are visually identical and match when new and remodel fixtures are installed in the same job site. Insulation must be kept 3" away from sides and top of fixture.



SPECIFICATION FEATURES

A...Reflector

.040 thick aluminum specular clear kicker and spun parabolic reflector in Clear, Gold, Haze, Warm Haze, Black Alzak[®] finish, painted gloss white or matte white. Special cone colors listed below.

B...Flange

Self flange reflector or die-cast flange with either matte white or clear coat finish. Die-cast flanges are easily removed for field painting. Elements are keyed for proper insertion.

C...Adjustability

Lamp locks in 361° rotation. Unit is relamped without unlocking adjustments.

D...Lens

Frosted Linear Spread Lens provides smooth wall washing. Up to two filter media can be used. Lenses are retained during relamping. Use a flood lamp for the smoothest distribution, use a spot lamp for slightly greater illumination on the lower portion of wall.

E...Attachment

Positive torsion springs pull flange tight to ceiling. Mechanical light trap eliminates spill light at edge of flange or reflector.

F...Socket

GX5.3 base for Bi-pin MR16 lamps.

G...Transformer

Truvolt toroidal transformer with dual-input taps for proper 12.0V operation and quiet operation when

dimmed. Dimmer tap compensates for inherent voltage loss from dimmers, resulting in 30% more lumens than traditional laminated transformers. Toroidal design, with 90% or greater efficiency, features a rolled one-piece continuous core of M3 grade grain oriented silicon steel complete with an integral thermal to protect against overheating. For dimming, use dimmers rated for electromagnetic transformers. Transformer is warranted for 5 years and is serviceable from below ceiling.

H...Frame/Housing

Hot-dipped galvanized 20-gauge steel frame with integral 1/2" plaster lip. Hole is sized for a 4-1/2" hole saw for precise, clean installations. Ceiling clip retains frame during insertion. Easy-Lock cams lock housing into ceilings from 1/2" to 1 1/2" thick.

I...Junction Box

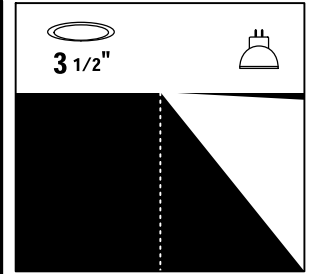
Listed for 6#14 AWG 90° C conductors, has six 1/2" pryouts.

J...Codes

Thermally protected, IP labeled. Insulation must be kept 3" away from sides and top of platform. Unit is listed for below-ceiling accessibility for components and inspection.

K...Labels

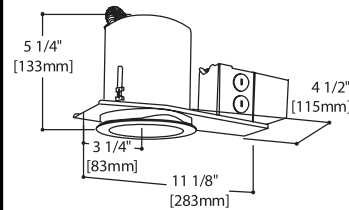
UL and cUL listed, standard damp label, IBEW union made. Installation instructions included with every unit.



**RPN3MR
E3LWW**

50 W MR 16

**3" REMODEL
LENSED WALL
WASH DOWNLIGHT**



Energy Data

120V Input		
Lamp Watts	Input Watts	Operating Current
20	23	.19
35	41	.34
37	42	.35
42	47	.39
50	57	.48

ORDERING INFORMATION

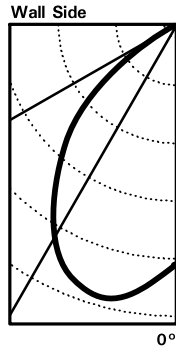
Complete unit consists of a platform and element

Platform	Optical Element	Finish	Flange	Accessories
RPN3MR				
RPN3MR = 3" Remodel non-IC Low Voltage Housing	E3LWW = Lensed Wall Wash	Standard C = Clear H = Haze G = Gold WMH = Warm Haze W = Gloss White MW = Matte White B = Black Custom K = Cognac KH = Cognac Haze	Custom Cont. CC = Chocolate CCH = Chocolate Haze BU = Blush BUH = Blush Haze GP = Graphite GPH = Graphite Haze PN = Pine PNH = Pine Haze SK = Sky SKH = Sky Haze	Blank = Matte White die-cast RAW = Natural Die-cast LUV = UV Reduction Lens LLPINK = Light Pink Lens LLSTRAW = Light Straw Lens L27K = 2700K dichroic filter LDAY = Daylight Lens LSPINK = Surprise Pink Lens LPLAV = Pale Lavender Lens

PHOTOMETRICS

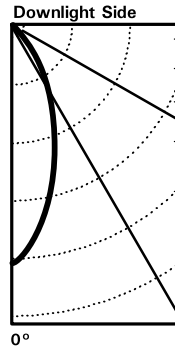
RPN3MR-E3LWWC

Test No. H21036
 Lamp: 50MR16/FL
 Lumens: 880
 Cutoff: 50°
 Spacing: 1.3
 Efficiency: 29.8%
 Unit LPW: 5.3



Candelas

CD Wall	Vertical Angle	CD Downlight
0	90	0
1	85	0
8	75	0
20	65	0
54	55	0
120	45	12
188	35	46
242	25	78
266	15	140
245	5	206
227	0	227



Luminance

Degree	cd/m ² @ 180°
85°	493
75°	1189
65°	10787
55°	21005
45°	37991

Single Fixture

		2' Distance from Wall				
		1'	2'	3'	4'	
DD	1	6	3	1	0	0
	2	15	8	2	1	0
	3	12	8	4	1	0
	4	7	6	3	2	1
	5	5	4	3	1	1
	6	3	3	2	1	1
	7	2	2	2	1	1
	8	2	2	1	1	1
	9	1	1	1	1	1
	10	1	1	1	1	1

1'6" Distance from Wall

DD	18" O.C.				24" O.C.			
1	20	16	20	18	10	18		
2	35	34	35	29	24	29		
3	25	25	25	20	19	20		
4	16	16	16	13	13	13		
5	10	10	10	8	8	8		
6	7	7	7	6	6	6		
7	5	5	5	4	4	4		
8	3	3	3	3	3	3		
9	2	2	2	2	2	2		
10	2	2	2	2	2	2		

2'0" Distance from Wall

DD	24" O.C.				32" O.C.			
1	7	6	7	6	4	6		
2	19	18	19	16	12	16		
3	19	19	19	15	13	15		
4	14	14	14	11	11	11		
5	10	10	10	8	8	8		
6	7	7	7	6	6	6		
7	5	5	5	4	4	4		
8	4	4	4	3	3	3		
9	3	3	3	2	2	2		
10	2	2	2	2	2	2		

2'6" Distance from Wall

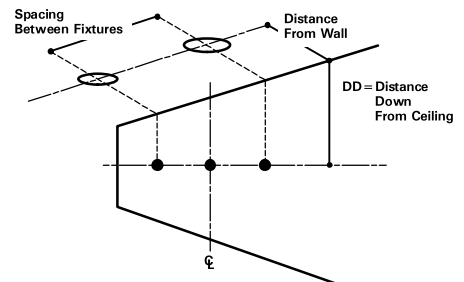
DD	24" O.C.				32" O.C.			
1	4	4	4	3	2	3		
2	11	11	11	9	8	9		
3	16	16	16	12	12	12		
4	14	14	14	11	11	11		
5	11	11	11	9	9	9		
6	8	8	8	6	7	6		
7	6	6	6	5	5	5		
8	4	5	4	4	4	4		
9	3	4	3	3	3	3		
10	3	3	3	2	2	2		

Notes and Formulas:

- Illuminance values for multiple fixtures are based upon the center two units of a four unit array. Footcandle values are centerline of fixtures and centered between fixtures.
- Illuminance values are cosine corrected initial values with no contribution from inter reflections from other room surfaces. Total illumination may increase from contributions from other surfaces.
- DD = Distance Down from Ceiling.
- Changing fixture spacing will affect illuminance level.

$$\text{New Fc} = \frac{\text{Existing Spacing}}{\text{New Spacing}} \times \text{Average Table Fc Level}$$

- When selecting colored cones option, only downlight cone is colored; the wall wash reflector is specular clear. This allows the color (CRI, °K) of the light source to be unaffected and maximizes lumen output.
- For optimal wall washing space fixtures equal to the distance from the wall.



Specifications and Dimensions subject to change without notice.