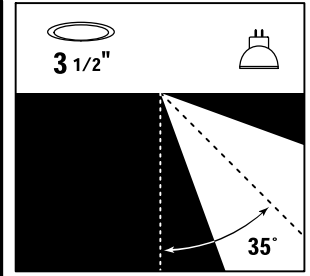
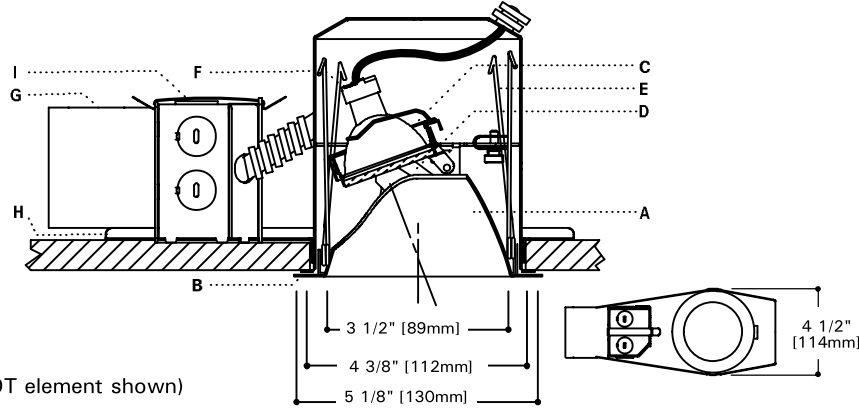


**DESCRIPTION**

A specification grade 50 Watt MR16 adjustable fixture for installation through existing ceilings. Fixture fits into tight 2" x 6" construction areas and from 1/2" to 1 1/2" ceiling thicknesses. A complete installation requires two components; the RPN-3MR remodel platform and a 3" Iris element. Elements may be changed after installa-

tion to provide a variety of distributions. All Iris elements provide 50° cutoff to lamp and lamp image for glare-free lighting. Elements are visually identical and match when new and remodel fixtures are installed in the same job site. Insulation must be kept 3" away from sides and top of fixture.



**RPN3MR  
E3SLOT  
E3AA**

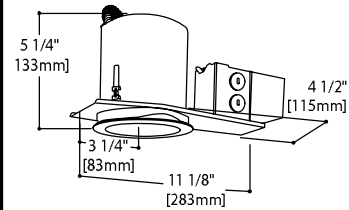
**50 W MR 16**

**3" ADJUSTABLE  
ACCENT**

**SPECIFICATION FEATURES**

- A...Reflector**  
Slot cut cone minimizes view into interior. .040 thick aluminum spun parabolic reflector in Clear, Gold, Haze, Warm Haze, Black Alzak<sup>®</sup> finish, painted gloss white or matte white. Special cone colors listed below.
- B...Flange**  
Self flange reflector or die-cast flange with either matte white or clear coat finish. Die-cast flanges are easily removed for field painting. Elements are keyed for proper insertion..
- C...Adjustability**  
Lamp locks in 361° rotation, 35° tilt. Unit is relamped without unlocking adjustments. Translating center beam optics maximize light output.
- D...Lens**  
Soft focus lens standard for smooth beam patterns. Up to two filter media can be used which are retained during relamping.
- E...Attachment**  
Positive torsion springs pull flange tight to ceiling. Mechanical light trap eliminates spill light at edge of flange or reflector.
- F...Socket**  
GX5.3 base for Bi-pin MR16 lamps.
- G...Transformer**  
Truvolt toroidal transformer with dual-input taps for proper 12.0V operation and quiet operation when dimmed. Dimmer tap compensates for inherent voltage loss from dimmers, resulting in 30% more lumens

- than traditional laminated transformers. Toroidal design, with 90% or greater efficiency, features a rolled one-piece continuous core of M3 grade grain oriented silicon steel complete with an integral thermal to protect against overheating. For dimming, use dimmers rated for electromagnetic transformers. Transformer is warranted for 5 years and is serviceable from below ceiling.
- H...Frame/Housing**  
Hot-dipped galvanized 20-gauge steel frame with integral 1/2" plaster lip. Hole is sized for a 4-1/2" hole saw for precise, clean installations. Ceiling clip retains frame during insertion of housing. Easy-Lock cams lock housing into ceilings from 1/2" to 1 1/2" thick.
- I...Junction Box**  
Listed for 6#14 AWG 90° C conductors, has six 1/2" pryouts.
- Codes**  
Thermally protected, IP labeled. Insulation must be kept 3" away from sides and top of platform. Unit is listed for below-ceiling accessibility for components and inspection.
- Labels**  
U.L. and cU.L.-listed, standard damp label, IBEW union made. Installation instructions included with every unit.



**Energy Data**

120V Input		
Lamp Watts	Input Watts	Operating Current
20	23	.19
35	41	.34
37	42	.35
42	47	.39
50	57	.48

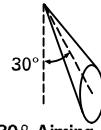
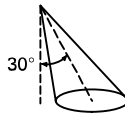
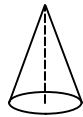


**ORDERING INFORMATION**

Complete unit consists of a platform and element

Platform	Optical Element	Finish	Flange	Accessories	
<b>RPN3MR</b>					
RPN3MR = 3.5" Remodel Non-IC	E3AA = MR16 0° - 35° Adjustable Accent E3AA20 = MR16 0° - 20° Adjustable Accent E3SLOT = MR16 0° - 30° Adjustable Accent Slot Cut Reflector	Standard C = Clear H = Haze G = Gold WMH = Warm Haze W = Gloss White MW = Matte White B = Black K = Cognac KH = Cognac Haze	Custom Cont. CC = Chocolate CCH = Chocolate Haze BU = Blush BUH = Blush Haze GP = Graphite GPH = Graphite Haze PN = Pine PNH = Pine Haze SK = Sky SKH = Sky Haze	Blank = White Die-Cast RAW = Natural Die-Cast	LSPD = Spread Lens LLNR = Linear Spread Lens LUV = UV Reduction Lens LLPINK = Light Pink LLSTRAW = Light Straw L27K = 2700K dichroic filter LDAY = Daylight LSPINK = Surprise Pink LPLAV = Pale Lavender LHEX = Hex Cell Louver

PHOTOMETRICS



Lamp	0° Aiming Angle Horizontal Footcandles				30° Aiming Angle Horizontal Footcandles					30° Aiming Angle Vertical Footcandles				
	D	FC	L	W	D	FC	L	W	CB	D	FC	L	W	CB
GE Q20MR16C/VNSP7 Beam Spread: 7° CBCP 7,400	6'	145	0.7	0.7	6'	81	1.1	0.8	3.5	2'	174	0.8	0.5	3.5
	8'	81	1	1	8'	46	1.5	1	4.6	3'	77	1.2	0.8	5.2
	10'	52	1.2	1.2	10'	29	1.9	1.3	5.8	4'	43	1.7	1	6.9
	12'6"	33	1.5	1.5	12'6"	19	2.3	1.6	7.2	5'	28	2.1	1.3	8.7
	Test # H21231				Test # H21235					Test # H21235				
OS 37MR16/IR/SP10 Beam Spread: 10° CBCP 13,100	6'	321	0.9	0.9	6'	181	1.5	1.1	3.5	2'	355	1.3	0.7	3.5
	8'	180	1.3	1.3	8'	102	1.9	1.5	4.6	3'	158	1.9	1	5.2
	10'	115	1.6	1.6	10'	65	2.4	1.9	5.8	4'	89	2.5	1.3	6.9
	12'6"	74	2	2	12'6"	42	3	2.3	7.2	5'	57	3.1	1.7	8.7
	Test # H21252				Test # H21251					Test # H21251				
GE Q42MR16C/VNSP9 Beam Spread: 9° CBCP 12,500	6'	263	0.7	1	6'	144	1.1	1.2	0	2'	287	1	0.7	3.5
	8'	148	1	1.4	8'	81	1.5	1.6	0	3'	128	1.5	1	5.2
	10'	95	1.2	1.7	10'	52	1.9	2	0	4'	72	2	1.4	6.9
	12'6"	61	1.5	2.1	12'6"	33	2.4	2.5	0	5'	46	2.4	1.7	8.7
	Test # H21215				Test # H21214					Test # H21214				
PH 45MRC16/IRC/SP8 Beam Spread: 8° CBCP 16,000	6'	343	1	1	6'	152	1.5	1.6	3.5	2'	299	1.3	0.9	3.5
	8'	193	1.3	1.3	8'	86	2	2.2	4.6	3'	133	2	1.3	5.2
	10'	124	1.6	1.6	10'	55	2.6	2.7	5.8	4'	75	2.6	1.8	6.9
	12'6"	79	2	2	12'6"	35	3.2	3.4	7.2	5'	48	3.3	2.2	8.7
	Test # H21222				Test # H21229					Test # H21229				
GE Q50MR16C/NSP15 Beam Spread: 15° CBCP 9,500	6'	220	1.5	1.5	6'	143	1.7	1.7	3.5	2'	252	1.5	1	3.5
	8'	124	2	2	8'	80	2.2	2.3	4.6	3'	112	2.3	1.5	5.2
	10'	79	2.5	2.5	10'	51	2.8	2.9	5.8	4'	63	3	2	6.9
	12'6"	51	3.1	3.1	12'6"	33	3.5	3.6	7.2	5'	40	3.8	2.5	8.7
	Test # H21241				Test # H21245					Test # H21245				
GE Q50MR16C/FL40 Beam Spread: 40° CBCP 1,700	6'	57	2.9	2.9	6'	29	4.3	4.1	3.5	2'	102	1.8	1.7	3.5
	8'	32	3.9	3.9	8'	16	5.7	5.5	4.6	3'	45	2.7	2.5	5.2
	10'	21	4.9	4.9	10'	11	7.1	6.9	5.8	4'	26	3.6	3.3	6.9
	12'6"	13	6.1	8.8	12'6"	7	8.9	8.6	7.2	5'	16	4.5	4.2	8.7
	Test # H21249				Test # H21199					Test # H21199				

Notes and Definitions:

Luminance: To convert cd/m<sup>2</sup> to footlamberts, multiply by 0.2919

- Beam spread is to 50% center beam candlepower (CBCP.)

D=Distance to floor or wall.

FC=Footcandles on floor or wall at center beam aiming location.

L = Effective Visual Beam length in feet (20% of maximum footcandle level.)

W = Effective Visual Beam width in feet (20% of maximum footcandle level.)

CB=Distance across or down to center beam location.

Specifications and Dimensions subject to change without notice.

IRiS believes that bare lamp data photometrics vastly overstate the performance of low voltage adjustable accent fixtures.

