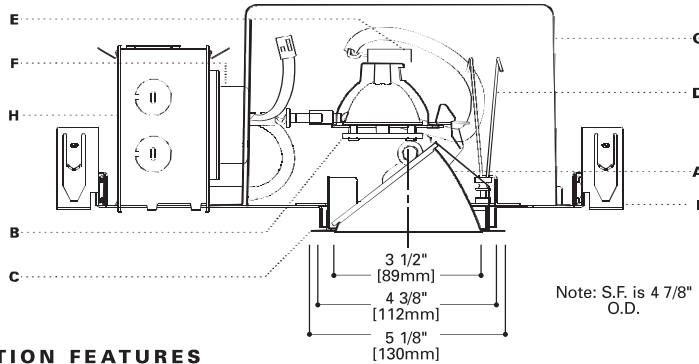


DESCRIPTION

Specification grade 71 watt MR16 lensed wall wash fixture. The specular clear kicker reflector and frosted linear spread lens maximize light towards the wall for smooth wall illumination. Cutoff to lens and lens image is 50°. Units small

size is ideal for tight construction areas. Insulation must be kept 3" away from sides and top of fixture. Optical element can be changed after installation to provide a variety of distributions. **e.g. into an adjustable.**



SPECIFICATION FEATURES

A...Reflector

.040 thick aluminum specular clear kicker and spun parabolic reflector in Clear, Gold, Haze, Warm Haze, Black Alzak® finish, painted gloss white or matte white. Special cone colors listed below.

B...Lens

Frosted linear spread lens. Up to two filter media can be used. Lenses are retained during relamping. Use a flood lamp for the smoothest distribution, use a spot lamp for slightly greater illumination on the lower portion of wall.

C...Flange

Self flange reflector or die-cast flange with either matte white or clear coat finish. Die-cast flanges are easily removed for field painting. Trims are keyed for proper insertion.

D...Attachment

Positive torsion springs pull flange tight to ceiling. Mechanical light trap eliminates spill light at edge of flange or reflector.

E...Socket

GX5.3 base for bi-pin MR16 lamps.

F...Transformer

Truvolt™ toroidal transformer with dual-output taps for proper 12.0V operation and quiet operation when dimmed. Dimmer tap compensates for inherent voltage loss from dimmers, resulting in 30% more lumens than traditional laminated transformers. Toroidal design, with 90% or greater efficiency, features a rolled one-piece continuous core of M3 grade grain oriented silicon steel complete with an integral thermal to protect against overheating and ensure quiet operation. For dimming, use dimmers rated for electromagnetic transformers.

Transformer is warranted for 5 years and is serviceable from below ceiling.

Note: If a dimming system is operated for construction lighting in its "shunt" mode, i.e. bypassing the dimmer modules, for an extended period of time, fixtures with the dual-tap toroidal transformer should be operated on the "Switched Fixture" output until the dimmers are in use. Operating fixtures on the "Dimmed Fixture" output with a full 120v input for an extended period will overdrive the lamp and cause shortened lamp life.

G...Frame/Housing

Hot dipped galvanized 20 gauge steel frame with built in 1/2 inch plaster lip. Gunsights allow for consistent alignment.

H...Junction Box

18 cubic inches, listed for 4#12 AWG or 6#14 AWG 90° C additional feed through conductors, has three 1/2" pryouts.

I...Bar Hangers

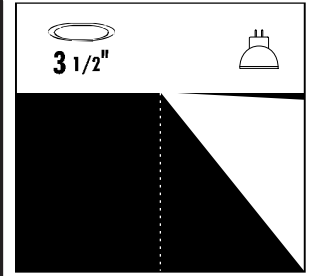
No Flex® bar hangers with positive locking, for use with wood, engineered wood and steel frame joists spaced up to 24" O.C. ship with platform. For use in T-bar ceilings order accessory MBCLP. Nailless barb and locator lip provide consistent installation height.

J...Codes

Thermally protected, IP labeled. Unit is airtight and exchanges less than 2.0 CFM with the plenum at a pressure of 75 pascals. Insulation must be kept three inches away from fixture sides and none on top as to entrap heat.

K...Labels

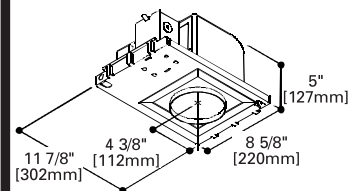
UL and cUL listed, wet label, IBEW union made.



**PN3MR
E3LWW**

71 W MR 16

**3" LENSED
WALL WASH
DOWNLIGHT**



Ceiling Cutout:
4 3/8" (112mm)

ORDERING INFORMATION

Complete unit consists of a platform and element

Platform	Optical Element	Finish	Flange	Accessories
PN3MR				
PN3MR = 3" Non- IC Housing PN3MR-REMOTE = 3" Non-IC Housing For Remote Transformer	E3LWW = MR16 Lensed Wall Wash	Standard C=Clear H=Haze G=Gold WMH=Warm Haze W=Gloss White MW= Matte White B= Black Custom K=Cognac KH=Cognac Haze	CC=Chocolate CCH=Chocolate Haze BU=Blush BUH=Blush Haze GP=Graphite GPH=Graphite Haze PN=Pine PNH=Pine Haze SK=Sky SKH=Sky Haze	Blank= Matte White die-cast SF= Self Flange RAW= Natural Die-cast SFWF= Self Flange Painted White MBCLP = 40 Push On T Bar Clips (for 10 Units) PLE3 = Plaster Lip Extension for Max 2" Thick Ceiling LSPD = Spread Lens LLNR = Linear Spread Lens LUV = UV Reduction Lens LLPINK = Light Pink LLSTRAW = Light Straw L27K = 2700K dichroic filter LDAY = Daylight LSPINK = Surprise Pink LPLAV = Pale Lavender LHEX= Hex Cell Louver

PHOTOMETRICS

PN3MR-E3LWWG

Test No. H21036
 Lamp: 75MR16/FL
 Lumens: 1200
 Cutoff: 50°
 Spacing: 1.3
 Efficiency: 40.8%
 Unit LPW: 6.5

Wall Side

Candelas

CD Wall	Vertical Angle	CD Downlight
0	90	0
2	85	0
15	75	0
38	65	0
101	55	0
226	45	23
353	35	71
454	25	146
500	15	264
460	5	386
426	0	426

Downlight Side

Luminance

Degree	cd/m ² @ 180°
85°	0
75°	0
65°	0
55°	0
45°	16347

Single Fixture

2' Distance from Wall

DD	1'	2'	3'	4'
1	8	4	1	0
2	20	12	3	1
3	16	11	5	2
4	10	8	4	2
5	6	5	4	2
6	4	4	3	2
7	3	3	3	2
8	2	2	2	2
9	2	2	2	1
10	2	2	2	1

0°

0°

1'6" Distance from Wall

DD	18" O.C.			24" O.C.		
1	27	22	27	24	14	24
2	49	47	49	39	33	39
3	34	35	34	27	26	27
4	21	22	21	17	17	17
5	14	14	14	11	12	11
6	9	9	9	8	8	8
7	6	6	6	5	6	5
8	5	5	5	4	4	4
9	3	3	3	3	3	3
10	3	3	3	2	2	2

2'0" Distance from Wall

DD	24" O.C.			32" O.C.		
1	9	8	9	8	5	8
2	26	24	26	22	16	22
3	26	25	26	21	18	21
4	19	20	19	15	15	15
5	14	14	14	11	11	11
6	10	10	10	8	8	8
7	7	7	7	6	6	6
8	5	5	5	4	4	4
9	4	4	4	3	3	3
10	3	3	3	3	3	3

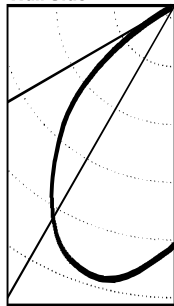
2'6" Distance from Wall

DD	24" O.C.			32" O.C.		
1	5	5	5	4	3	4
2	16	15	16	13	10	13
3	21	21	21	17	16	17
4	19	19	19	15	15	15
5	15	15	15	12	12	12
6	11	11	11	9	9	9
7	8	8	8	7	7	7
8	6	6	6	5	5	5
9	5	5	5	4	4	4
10	4	4	4	3	3	3

PN3MR-E3LWWC

Test No. H21036
 Lamp: 50MR16/FL
 Lumens: 880
 Cutoff: 50°
 Spacing: 1.3
 Efficiency: 29.8%
 Unit LPW: 5.3

Wall Side

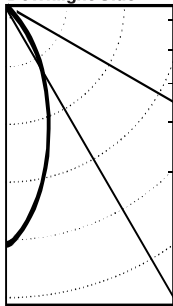


0°

Candelas

CD Wall	Vertical Angle	CD Downlight
0	90	0
1	85	0
8	75	0
20	65	0
54	55	12
120	45	120
188	35	46
242	25	78
266	15	140
245	5	206
227	0	227

Downlight Side



0°

Luminance

Degree	cd/m ² @ 180°
85°	0
75°	0
65°	0
55°	0
45°	1143

Single Fixture

2' Distance from Wall

DD	1'	2'	3'	4'
1	6	3	1	0
2	15	8	2	1
3	12	8	4	1
4	7	6	3	2
5	5	4	3	1
6	3	3	2	1
7	2	2	2	1
8	2	2	1	1
9	1	1	1	1
10	1	1	1	1

1'6" Distance from Wall

DD	18" O.C.			24" O.C.		
1	20	16	20	18	10	18
2	35	34	35	29	24	29
3	25	25	25	20	19	20
4	16	16	16	13	13	13
5	10	10	10	8	8	8
6	7	7	7	6	6	6
7	5	5	5	4	4	4
8	3	3	3	3	3	3
9	2	2	2	2	2	2
10	2	2	2	2	2	2

2'0" Distance from Wall

DD	24" O.C.			32" O.C.		
1	7	6	7	6	4	6
2	19	18	19	16	12	16
3	19	19	19	15	13	15
4	14	14	14	11	11	11
5	10	10	10	8	8	8
6	7	7	7	6	6	6
7	5	5	5	4	4	4
8	4	4	4	3	3	3
9	3	3	3	2	2	2
10	2	2	2	2	2	2

2'6" Distance from Wall

DD	24" O.C.			32" O.C.		
1	4	4	4	3	2	3
2	11	11	11	9	8	9
3	16	16	16	12	12	12
4	14	14	14	11	11	11
5	11	11	11	9	9	9
6	8	8	8	6	7	6
7	6	6	6	5	5	5
8	4	5	4	4	4	4
9	3	4	3	3	3	3
10	3	3	3	2	2	2

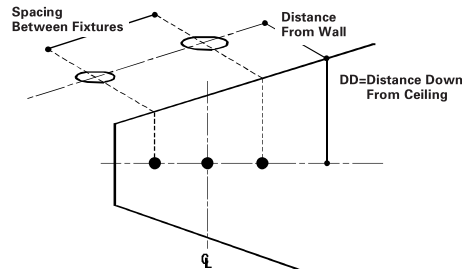
Notes and Formulas:

- Illuminance values for multiple fixtures are based upon the center two units of a four unit array. Footcandle values are centerline of fixtures and centered between fixtures.
- Illuminance values are cosine corrected initial values with no contribution from inter reflections from other room surfaces. Total illumination may increase from contributions from other surfaces.
- DD=Distance Down from Ceiling.
- Changing fixture spacing will affect illuminance level.

$$\text{New Fc} = \frac{\text{Existing Spacing}}{\text{New Spacing}} \times \text{Average Table Fc Level}$$

- When selecting colored cones option, only downlight cone is colored; the wall wash reflector is specular clear. This allows the color (CRI, °K) of the light source to be unaffected and maximizes lumen output.

For optimal wall washing space fixtures equal to the distance from the wall.



Note: Specifications and Dimensions subject to change without notice. Visit our web site at www.cooperlighting.com