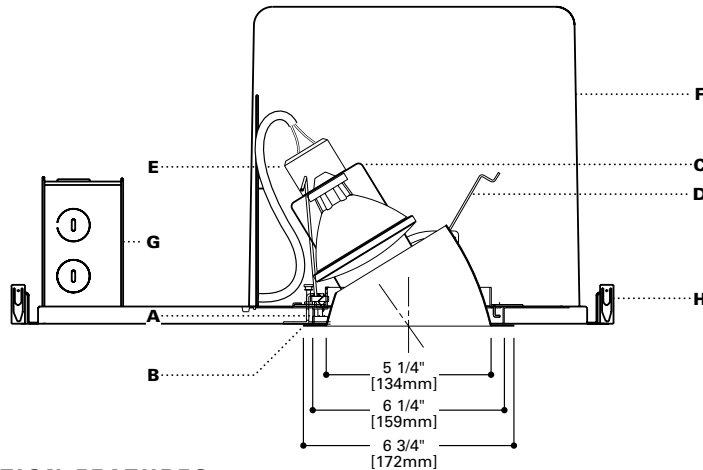


DESCRIPTION

Specification grade 75 watt PAR30 short neck adjustable fixture for use with narrow joist spacing. Insulation must be kept 3" from fixture sides and top of fixture. Adjustment mechanism features hot aiming capability, aiming marks and too-

less locking. Optics provide glare-free 50° cutoff to lamp and lamp image. **Lamp module and optical element can be changed after installation to provide a variety of lamp sources and distributions. e.g. into an A19 Wall Wash**



SPECIFICATION FEATURES

A...Reflector

.040 thick aluminum spun parabolic reflector. Reflector is available in iridescent free Clear, Gold, Haze, Warm Haze, Black Alzak® finish, painted gloss white or matte white. Special cone colors listed below. E5AA20 recommended for ceilings over 7/8" thick.

B...Flange

Self flange reflector or die-cast flange with either matte white or clear coat finish. Die-cast flanges are easily removed for field painting. Elements are keyed for proper insertion.

C...Adjustability

Lamp locks in 361° rotation, 35° tilt. Unit is relamped without unlocking adjustments. Translating centerbeam optics maximize light output.

D...Attachment

Positive torsion springs pull flange tight to ceiling. Mechanical light trap eliminates spill light at edge of flange or reflector.

E...Socket

Nickel plated porcelain socket.

F...Frame/Housing

Hot dipped galvanized 20 gauge steel frame with built in 1/2 inch plaster lip. One piece 20 gauge steel housing for seamless construction is painted matte black for a visually dark interior.

G...Junction Box

18 cubic inches, listed for 4#12 AWG or 6#14 AWG 90° C additional feed through conductors, has five 1/2 inch pryouts.

H...Bar Hangers

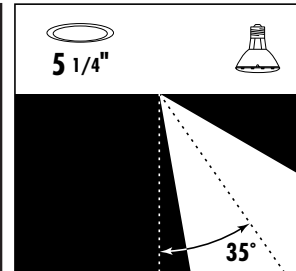
No Flex® bar hangers with positive locking, for use with wood, engineered wood and steel frame joists spaced up to 24" O.C. ship with platform. For use in T-bar ceilings order accessory MBCLP clips. Nailless barb and locator lip provide consistent installation height.

I...Codes

Unit is airtight and exchanges less than 2.0 CFM with the plenum at a pressure of 75 pascals. Insulation must be kept three inches away from fixture sides and none on top as to entrap heat.

J...Labels

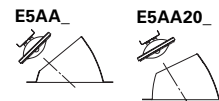
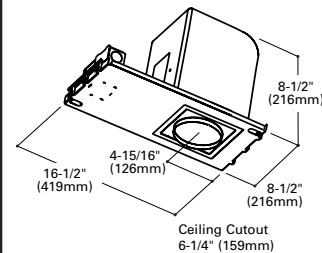
UL listed, CSA certified, standard damp label, IBEW union made.



**PN5
M5P30
E5AA**

**75 W PAR30
Short Neck Only**

**5" ADJUSTABLE
ACCENT**

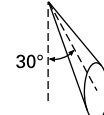
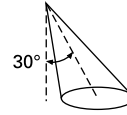
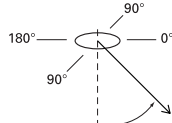


ORDERING INFORMATION

Complete unit consists of a platform, module and element

Platform	Lamp Module	Optical Element	Finish	Flange	Accessories
PN5					
PN5 = 5" Airtight Non-IC Housing	M5P30 = 5" PAR Adjustable	E5AA = 5" 35° Adjustable Accent Reflector E5AA20 = 5" 20° Adjustable Accent Reflector	Standard B= Black C=Clear H=Haze G=Gold WMH=Warm Haze W=Gloss White MW= Matte White B= Black Custom K=Cognac KH=Cognac Haze CC=Chocolate	Custom Cont. CCH=Chocolate Haze BU=Blush BUH=Blush Haze GP=Graphite GPH=Graphite Haze PN=Pine PNH=Pine Haze SK=Sky SKH=Sky Haze	Blank= White die-cast SF= Self Flange RAW= Natural Die-cast SFWF= Self Flange Painted White MBCLP = 40 Push On T Bar Clips (for 10 Units) PLE5 = Plaster Lip Extension for Max 2" Thick Ceiling FMC5 = Flush Mount Collar For additional options please consult factory. Matte white is recommended for self flanged reflectors

PHOTOMETRICS



Lamp	Luminance cd/m ² @ Maximum Tilt			0° Aiming Angle Horizontal Footcandles				30° Aiming Angle Horizontal Footcandles					30° Aiming Angle Vertical Footcandles				
	Degree	@ 180°	@ 90°	D	FC	L	W	D	FC	L	W	CB	D	FC	L	W	CB
GE 75 PAR30/H/SP10 Beam Spread: 10° CBCP: 13,000 Lumens: 1030	85°	0	821	6'	352	0.9	0.9	6'	195	1.3	1.2	3.5	2'	381	1.2	0.7	3.5
	75°	0	277	8'	198	1.2	1.2	8'	109	1.8	1.5	4.6	3'	169	1.7	1.1	5.2
	65°	0	169	10'	127	1.6	1.6	10'	70	2.2	1.9	5.8	4'	95	2.3	1.4	6.9
	55°	125	250	12' 6"	81	2.0	2.0	12' 6"	45	2.8	2.4	7.2	5'	61	2.9	1.8	8.7
	45°	101	405	Test # H22424				Test # H22424					Test # H22424				

Lamp	Luminance cd/m ² @ Maximum Tilt			0° Aiming Angle Horizontal Footcandles				30° Aiming Angle Horizontal Footcandles					30° Aiming Angle Vertical Footcandles				
	Degree	@ 180°	@ 90°	D	FC	L	W	D	FC	L	W	CB	D	FC	L	W	CB
GE 75 PAR30/H/FL25 Beam Spread: 25° CBCP: 3,100 Lumens: 1030	85°	0	821	6'	83	2.8	2.8	6'	55	3.3	3.3	3.5	2'	132	2.1	1.6	3.5
	75°	0	277	8'	47	3.7	3.7	8'	31	4.4	4.3	4.6	3'	59	3.1	2.5	5.2
	65°	0	169	10'	30	4.7	4.7	10'	20	5.5	5.4	5.8	4'	33	4.2	3.3	6.9
	55°	125	250	12' 6"	19	5.8	5.8	12' 6"	13	6.9	6.8	7.2	5'	21	5.2	4.1	8.7
	45°	101	506	Test # H22426				Test # H22425					Test # H22425				

Lamp	Luminance cd/m ² @ Maximum Tilt			0° Aiming Angle Horizontal Footcandles				30° Aiming Angle Horizontal Footcandles					30° Aiming Angle Vertical Footcandles				
	Degree	@ 180°	@ 90°	D	FC	L	W	D	FC	L	W	CB	D	FC	L	W	CB
OS 50 PAR/CAP/IR/FL25 Beam Spread: 25° CBCP: 2900 Lumens: 900	85°	0	821	6'	80	2.7	2.7	6'	53	3.4	3.2	3.5	2'	145	1.9	1.3	3.5
	75°	0	277	8'	45	3.6	3.6	8'	30	4.6	4.3	4.6	3'	65	2.8	2.0	5.2
	65°	0	169	10'	29	4.5	4.5	10'	19	5.7	5.4	5.8	4'	36	3.8	2.6	6.9
	55°	0	250	12' 6"	19	5.6	5.6	12' 6"	12	7.2	6.7	7.2	5'	23	4.7	3.3	8.7
	45°	304	506	Test # H22427				Test # H22428					Test # H22428				

Lamp	Luminance cd/m ² @ Maximum Tilt			0° Aiming Angle Horizontal Footcandles				30° Aiming Angle Horizontal Footcandles					30° Aiming Angle Vertical Footcandles				
	Degree	@ 180°	@ 90°	D	FC	L	W	D	FC	L	W	CB	D	FC	L	W	CB
OS 50 PAR/CAP/IR/SP9 Beam Spread: 9° CBCP: 13,000 Lumens: 900	85°	0	0	6'	300	1.1	1.1	6'	199	1.5	1.2	3.5	2'	387	1.4	0.7	3.5
	75°	0	0	8'	169	1.5	1.5	8'	112	2.0	1.5	4.6	3'	172	2.1	1.1	5.2
	65°	0	0	10'	108	1.8	1.8	10'	72	2.6	1.9	5.8	4'	97	2.8	1.4	6.9
	55°	0	0	12' 6"	69	2.3	2.3	12' 6"	46	3.2	2.4	7.2	5'	62	3.6	1.8	8.7
	45°	0	202	Test # H22430				Test # H22429					Test # H22429				

Lamp	Luminance cd/m ² @ Maximum Tilt			0° Aiming Angle Horizontal Footcandles				30° Aiming Angle Horizontal Footcandles					30° Aiming Angle Vertical Footcandles				
	Degree	@ 180°	@ 90°	D	FC	L	W	D	FC	L	W	CB	D	FC	L	W	CB
OS 50 PAR/CAP/IR/FL40 Beam Spread: 40° CBCP: 1,400 Lumens: 900	85°	0	0	6'	45	3.8	3.8	6'	32	4.3	4.2	3.5	2'	94	1.9	1.8	3.5
	75°	0	0	8'	25	5.1	5.1	8'	18	5.8	5.6	4.6	3'	42	2.9	2.7	5.2
	65°	0	0	10'	16	6.4	6.4	10'	12	7.2	7.0	5.8	4'	23	3.8	3.6	6.9
	55°	0	0	12' 6"	10	8.0	8.0	12' 6"	7	9.0	8.7	7.2	5'	15	4.8	4.5	8.7
	45°	0	0	Test # H22433				Test # H22434					Test # H22434				

Notes and Definitions:

Luminance: To convert cd/m² to footlamberts, multiply by 0.2919

• Beam spread is to 50% center beam candlepower (CBCP)

D=Distance to floor or wall.

FC=Footcandles on floor or wall at center beam aiming location.

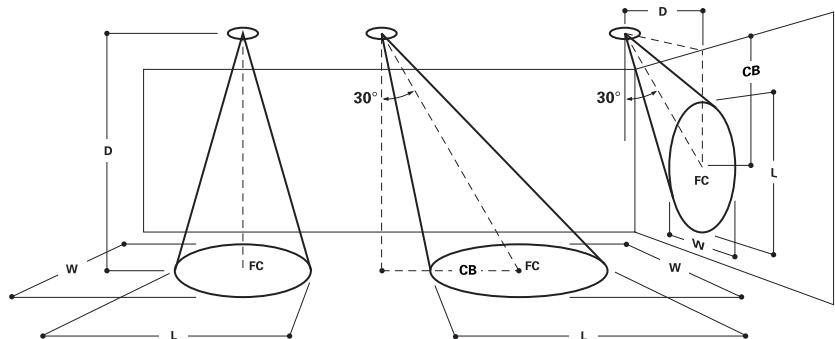
L=Effective Visual Beam length in feet (50% of maximum footcandle level.)

W=Effective Visual Beam width in feet (50% of maximum footcandle level.)

CB=Distance across or down to center beam location.

IRIS believes that bare lamp data photometrics vastly overstate the performance of adjustable accent fixtures.

The "real world photometrics" shown here are from off the shelf lamps in fixtures using a clear finish reflector.



Note: Specifications and Dimensions subject to change without notice.

Visit our web site at www.cooperlighting.com