

DESCRIPTION

Recessed 3.5" aperture lens wall wash luminaire utilizing an LED array provides smooth vertical illumination with a minimal downlight component. Housing is suitable for 2x8 residential or commercial constructions, airtight and can be used in direct contact with insulation. Housing platform + primary reflector + optical element combination provides smooth vertical illumination with a minimal downlight component.

Catalog #		Type
Project		
Comments		Date
Prepared By		

SPECIFICATION FEATURES

Frame

Galvanized steel plaster frame with integral bar hanger receivers. Setscrews provide positive horizontal locking. Integral gun sights facilitate the use of guide strings or laser lines. Shipped with overspray protector installed.

Housing

Steel housing painted matte black for a visually dark interior. Removable hinged top allows top access. All fasteners are captive.

Bar Hangers

Captive preinstalled bar hangers adjust from 8-1/2" to 24" wide; pass thru feature allows shortening without removal. Captive nail penetrates standard and engineered lumber. Mounting flange levels platform with ceiling. Integral clip attached directly to tee-bar.

Universal Mounting Bracket

Accepts 1/2" EMT, C channel and bar hangers and adjusts 3" vertically from above the ceiling.

Gaskets

Closed cell gaskets achieve restrictive airflow requirements without additional caulking.

Adjustment Mechanism

Dynamic aiming rotates 365°, tilts 45° and locks in position. Angle markings assist in repeatable settings. Translating center beam optics aligns axis of primary reflector with aperture from nadir to 45°.

LED Module

Philips Fortima SLM with Lumileds Luxeon S LED array is field replaceable and conforms to Zhaga standards for interchangeability. Proximity phosphors over chip on board LEDs provide a uniform source with high efficiency and no pixilation. Color rendering 80 CRI standard, 90 CRI optimal, accuracy within 3 SDCM provides excellent color. Proportional active cooling achieves L70 at 50,000 hours in IC and non IC applications.

Primary Optic

Borosilicate glass segmented optic with > 95% reflective multi-layer hard coating delivers a highly efficient and uniform beam. Various distributions are available and can be interchanged without tools. Elastomeric glare shield accepts theatrical color filters and diffusion films.

Lower Reflector

Spun 0.04" thick aluminum angle cut parabolic contour provides cutoff to lens. Neutral color glass linear spread lens and MIRO kicker provides smooth vertical illumination with a minimal downlight component. Available in a wide range of specular and semi-specular Alzak® finishes. Light trap eliminates spill light at edge of flange and reflector. Metal trim ring can be removed for painting and can be installed flush mount with optional flush mount collar accessory.

Trim Retention

Retained with two torsion springs holding the flange tightly to the finished ceiling surface and

accommodates ceiling thickness from 1/2 - 1" thick.

Junction Box

(6) 1/2" and (2) 3/4" trade size pry outs positioned to allow straight conduit runs.

Driver

Integral 120 or 277V 60 Hz constant current driver provides noise free operation. Monitors LED array and reduces power if safe operating temperature of LED's is exceeded. Continuous, flicker-free dimming from 100% to 10%. Available with trailing edge phase cut, 0 -10V and DALI digital control interfaces.

Compliance

Type IC inherently protected, suitable for direct contact to insulation and cULus listed for wet locations. Restrictive airflow per ASTM E283. Optional City of Chicago environmental air (CCEA) marking for plenum applications. EMI/RFI emissions per FCC 47CFR Part 18 consumer limits. Contains no mercury or lead and RoHS compliant. Photometric testing is in accordance with IES LM79. LED life claims are in accordance with IES LM80 testing. ENERGY STAR® listed pending. Zhaga compliant luminaire.

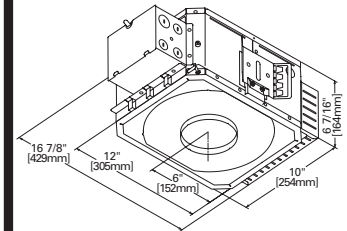
Warranty

5 year warranty.

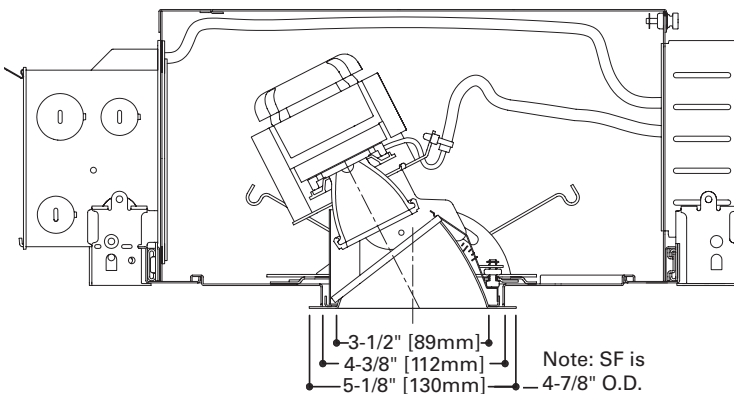


**P3LED
E3LWW**

**LED Lens Wall Wash
3.5" Aperture
900 Lumen Series**



Energy Data		
Lumens	900 Series	
Input Voltage (V)	120	277
Input Current (A)	0.18	0.09
Input Power (W)	20.4	22
THD: ≤ 20%		
PF: ≥ 0.90		
T Ambient -20 to +40°C		
Sound Rating: A		



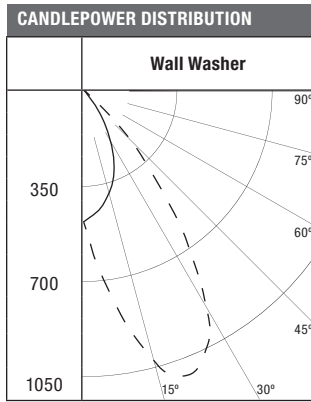
ORDERING INFORMATION

Complete luminaire consists of a housing platform and optical element. Housing platform can be ordered without primary optic. Order primary optics separately.
Example: P3LED9FL408301E0-10V/TE = 3.5" aperture LED housing platform, 900 lumens nominal, 40° flood 3,000°K, 85 CRI, 120V 60Hz, 0 – 10V and trailing edge 10% dimming
 E3LWWH = 3.5" aperture lens wall wash reflector, Semi-specular clear, matte white metal trim ring

Platform	Lumens	Distribution	Color	Driver	Optical Element	Finish	Flange Style	Accessories
P3LED					E3LWW			
P3LED = 3.5" aperture LED housing platform P3LEDCP = 3.5" aperture LED housing platform, CCEA listed for City of Chicago plenum requirements	9 = 900 lumens (nominal)	[blank] = omit primary optic NFL25 = 25° beam FL40 = 40° beam	827 = 80 CRI Minimum, 2,700 K CCT 830 = 80 CRI Minimum, 3,000 K CCT 930 = 90 CRI Minimum, 3,000 K CCT 840 = 80 CRI Minimum, 4,000 K CCT	1E 0-10V/TE = 120V 60Hz 0 – 10V and trailing edge 10% dimming 2E 0-10V = 277V 60Hz 0 – 10V – 10% dimming 1E DALI = 120V 60Hz DALI – 10% dimming	E3LWW = 3.5" aperture lens wall wash reflector	Finishes Alzak® Finishes C = Specular Clear H = Semi-Specular Clear WMH = Warm Haze G = Gold WH = Wheat WHH = Wheat Haze GP = Graphite GPH = Graphite Haze K = Cognac KH = Cognac Haze CC = Chocolate CCH = Chocolate Haze B = Black Painted Finishes MW = Matte white W = Gloss white	[Blank] = Metal trim ring, matte white SF = Self flanged SFWF = Self flanged, matte white flange	RG50NFL25 = 25° beam glass reflector, 50mm RG50FL40 = 40° beam glass reflector, 50mm FMC3 = Flush mount collar accessory PLE3 = Plaster lip extender for up to 2" thick ceilings ZLM03 = Replacement LED module, see specification sheet for catalog number and performance data ZLE03 = LED light engine, Zhaga Book 3 compliant

PHOTOMETRICS

P3LED E3LWWH



Test Number	P21993
Platform	P3LED
Element	E3LWWH RG50NFL25
Tilt Angle	10°
Lumens	608
Efficacy	31.2 Lm/W

ZONAL LUMEN SUMMARY		
Zone	Lumens	%Fixture
0-30	369	56.4
0-40	514	87.4
0-60	593	99.7
0-90	608	100.0
90-180	0	0.0
0-180	608	100.0

DD	SINGLE UNIT FOOTCANDLES						MULTIPLE UNIT FOOTCANDLES												
	3' FROM WALL (Distance From Fixture Along Wall)						2.5' FROM WALL (Spacing Between Fixtures)			3' FROM WALL (Spacing Between Fixtures)									
	●	1'	2'	3'	4'	5'	6'	●	2' apart	●	●	3' apart	●	●	2' apart	●	●	3' apart	●
1'	1.8	1.3	0.5	0.2	0.1	0	0	3.9	4	3.9	3.4	2.4	3.4	2.4	2.6	2.4	2	1.7	2
2'	2.9	2.2	1.2	0.5	0.2	0.1	0	6.7	6.9	6.7	5.8	4.6	5.8	4.1	4.5	4.1	3.4	3.3	3.4
3'	6.3	4.4	1.9	0.8	0.3	0.2	0.1	18.7	18.6	18.7	16.6	10.9	16.6	8.2	8.7	8.2	7.1	5.9	7.1
4'	12.9	9.3	4.1	1.5	0.5	0.2	0.1	24.9	27.6	24.9	20.9	18.8	20.9	17	18.6	17	14.4	12.9	14.4
5'	12.8	10.4	5.8	2.5	0.9	0.4	0.2	21	23.2	21	17.2	18	17.2	18.6	20.8	18.6	15.3	16.3	15.3
6'	10.1	8.6	5.7	3	1.3	0.6	0.2	15.4	16.9	15.4	12.9	14	12.9	15.7	17.2	15.7	13.1	14.4	13.1
7'	7.4	6.6	4.7	2.9	1.5	0.7	0.3	11	11.9	11	9.3	10.2	9.3	12.1	13.1	12.1	10.3	11.4	10.3
8'	5.3	4.8	3.7	2.5	1.5	0.8	0.4	7.8	8.3	7.8	6.8	7.4	6.8	9	9.7	9	7.8	8.6	7.8
9'	3.9	3.6	2.9	2.1	1.4	0.9	0.5	5.6	5.9	5.6	4.9	5.4	4.9	6.7	7.1	6.7	5.9	6.5	5.9
10'	2.8	2.7	2.2	1.7	1.2	0.8	0.5	4.1	4.3	4.1	3.7	4	3.7	5	5.3	5	4.5	4.9	4.5

lighting facts
A Program of the U.S. DOE

Light Output (Lumens) 680
Watts 20.4
Lumens per Watt (Efficacy) 33

Color Accuracy 82
Color Rendering Index (CRI)

Light Color 3100 (Bright White)
Correlated Color Temperature (CCT)

2700K 3000K 4500K 6500K

All results are according to IESNA LM-79-2008: Approved Method for the Electrical and Photometric Testing of Solid-State Lighting. The U.S. Department of Energy (DOE) verifies product test data and results.

Visit www.lightingfacts.com for the Label Reference Guide.

Registration Number: FAQJ-ASKLAW (2/24/2012)
 Model Number: P3LED98301E0-10V/TE3LWWH**
 Type: Recessed downlight