

**DESCRIPTION**

Recessed 3.5" aperture directional luminaire with open slotted reflector utilizing an LED array. Housing is suitable for 2x8 residential or commercial constructions, airtight and can be used in direct contact with insulation. Housing platform + primary reflector + optical element combination supports various distributions, providing design flexibility. Use where high efficiency excellent light control and low aperture brightness are demanded.

|                    |  |             |
|--------------------|--|-------------|
| <b>Catalog #</b>   |  | <b>Type</b> |
| <b>Project</b>     |  |             |
| <b>Comments</b>    |  | <b>Date</b> |
| <b>Prepared By</b> |  |             |

**SPECIFICATION FEATURES**

**Frame**

Galvanized steel plaster frame with integral bar hanger receivers. Setscrews provide positive horizontal locking. Integral gun sights facilitate the use of guide strings or laser lines. Shipped with overspray protector installed.

**Housing**

Steel housing painted matte black for a visually dark interior. Removable hinged top allows top access. All fasteners are captive.

**Bar Hangers**

Captive preinstalled bar hangers adjust from 8-1/2" to 24" wide; pass thru feature allows shortening without removal. Captive nail penetrates standard and engineered lumber. Mounting flange levels platform with ceiling. Integral clip attached directly to tee-bar.

**Universal Mounting Bracket**

Accepts 1/2" EMT, C channel and bar hangers and adjusts 3" vertically from above the ceiling.

**Gaskets**

Closed cell gaskets achieve restrictive airflow requirements without additional caulking.

**Adjustment Mechanism**

Dynamic aiming rotates 365°, tilts 45° and locks in position. Angle markings assist in repeatable settings. Translating center beam optics aligns axis of primary reflector with aperture from nadir to 45°.

**LED Module**

Philips Fortima SLM with Lumileds Luxeon S LED array is field replaceable and conforms to Zhaga standards for interchangeability. Proximity phosphors over chip on board LEDs provide a uniform source with high efficiency and no pixilation. Color rendering 80 CRI standard, 90 CRI optimal, accuracy within 3 SDCM provides excellent color. Proportional active cooling achieves L70 at 50,000 hours in IC and non IC applications.

**Primary Optic**

Borosilicate glass segmented optic with > 95% reflective multi-layer hard coating delivers a highly efficient and uniform beam. Various distributions are available and can be interchanged without tools. Elastomeric glare shield accepts theatrical color filters and diffusion films.

**Media**

Optional media holder accepts one or two 3.0mm thick color filters or beam modifying lens. Order media holder, color filters and lens separately.

**Lower Reflector**

Spun 0.04" thick aluminum with slotted parabolic contour provides 50° room side cutoff and is available in a wide range of specular and semi-specular Alzak® finishes. Light trap eliminates spill light at edge of flange and reflector. Metal trim ring can be removed for painting and can be installed flush mount with optional flush mount collar accessory.

**Trim Retention**

Retained with two torsion springs holding the flange tightly to the finished ceiling surface and accommodates ceiling thickness from 1/2 - 1" thick.

**Junction Box**

(6) 1/2" and (2) 3/4" trade size pry outs positioned to allow straight conduit runs.

**Driver**

Integral 120 or 277V 60 Hz constant current driver provides noise free operation. Monitors LED array and reduces power if safe operating temperature of LED's is exceeded. Continuous, flicker-free dimming from 100% to 10%. Available with trailing edge phase cut, 0 -10V and DALI digital control interfaces.

**Compliance**

Type IC inherently protected, suitable for direct contact to insulation and cULus listed for damp locations. Restrictive airflow per ASTM E283. Optional City of Chicago environmental air (CCEA) marking for plenum applications. EMI/RFI emissions per FCC 47CFR Part 18 consumer limits. Contains no mercury or lead and RoHS compliant. Photometric testing is in accordance with IES LM79. LED life claims are in accordance with IES LM80 testing. Can be used for State of California Title 24 high efficacy luminaire compliance, reference the California Energy Commission Appliance Efficiency Database for current listings. Can also be used for international Energy Conservation Code (IECC) high efficiency luminaire compliance. ENERGY STAR® listed, consult ENERGY STAR® website for applicable combinations. Zhaga compliant luminaire.

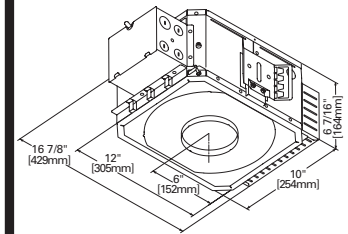
**Warranty**

5 year warranty.

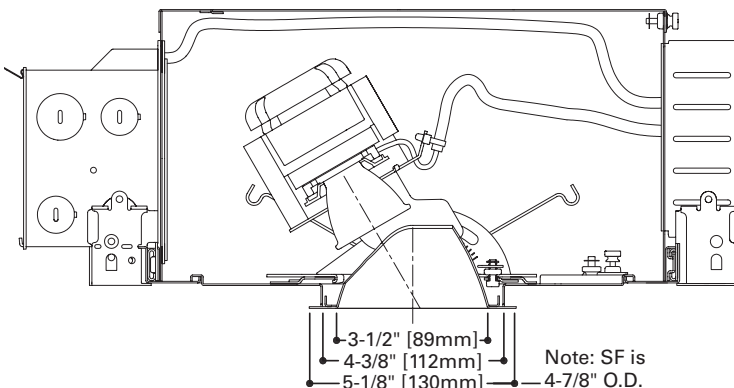


**P3LED  
E3SLOT**

**LED Directional Open Slot  
3.5" Aperture  
900 Lumen Series**



| Energy Data            |            |      |
|------------------------|------------|------|
| Lumens                 | 900 Series |      |
| Input Voltage (V)      | 120        | 277  |
| Input Current (A)      | 0.18       | 0.09 |
| Input Power (W)        | 20.4       | 22   |
| THD: ≤ 20%             |            |      |
| PF: ≥ 0.90             |            |      |
| T Ambient -20 to +40°C |            |      |
| Sound Rating: A        |            |      |



Cooper Lighting Solutions is a founding member of the Zhaga Consortium



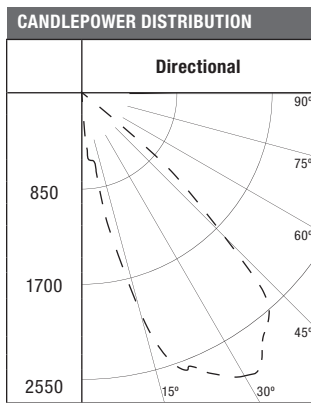
**ORDERING INFORMATION**

Complete luminaire consists of a housing platform and optical element. Housing platform can be ordered without primary optic. Order primary optics separately.  
**Example:** P3LED9NFL258301E0-10V/TE = 3.5" aperture LED housing platform, 900 lumens nominal, 25° narrow flood 3,000°K, 85 CRI, 120V 60Hz, 0 – 10V and trailing edge 10% dimming  
 E3SLOTH = 3.5" aperture open 1.8" slotted reflector, Semi-specular clear, matte white metal trim ring

| Platform   | Lumens                   | Distribution   | Color  | Driver  | Optical Element                                   | Finish   | Flange Style   | Accessories   |
|--|--------------------------|--|--|---|---|--|--|---|
| <b>P3LED</b>   |                          |  |  |   | <b>E3SLOT</b>                                     |  |  |   |
| P3LED = 3.5" aperture LED housing platform<br>P3LED9NFL258301E0-10V/TE = 3.5" aperture LED housing platform, CCEA listed for City of Chicago plenum requirements | 9 = 900 lumens (nominal) | [blank] = omit primary optic<br>NSP10 = 10° beam<br>SP15 = 15° beam<br>NFL25 = 25° beam<br>FL40 = 40° beam | 827 = 80 CRI Minimum, 2,700 K CCT<br>830 = 80 CRI Minimum, 3,000 K CCT<br>930 = 90 CRI Minimum, 3,000 K CCT<br>840 = 80 CRI Minimum, 4,000 K CCT | 1E 0-10V/TE = 120V 60Hz 0 – 10V and trailing edge 10% dimming<br>2E 0-10V = 277V 60Hz 0 – 10V – 10% dimming<br>1E DALI = 120V 60Hz DALI – 10% dimming | E3SLOT= 3.5" aperture open 1.8" slotted reflector | Finishes Alzak® Finishes<br>C = Specular Clear<br>H = Semi-Specular Clear<br>WMH = Warm Haze<br>G = Gold<br>WH = Wheat<br>WHH = Wheat Haze<br>GP = Graphite<br>GPH = Graphite Haze<br>K = Cognac<br>KH = Cognac Haze<br>CC = Chocolate<br>CCH = Chocolate Haze<br>B = Black<br>Painted Finishes<br>MW = Matte white<br>W = Gloss white | [Blank] = Metal trim ring, matte white<br>SF = Self flanged<br>SFWF = Self flanged, matte white flange | RG50NSP10 = 10° beam glass reflector, 50mm<br>RG50SP15 = 15° beam glass reflector, 50mm<br>RG50NFL25 = 25° beam glass reflector, 50mm<br>RG50FL40 = 40° beam glass reflector, 50mm<br>RG50MH = Media holder for 50mm reflector<br>FMC3 = Flush mount collar accessory<br>PLE3 = Plaster lip extender for up to 2" thick ceilings<br>ZLM03 = Replacement LED module, see specification sheet for catalog number and performance data<br>ZLE03 = LED light engine, Zhaga Book 3 compliant |

**PHOTOMETRICS**

**P3LED E3SLOTT**



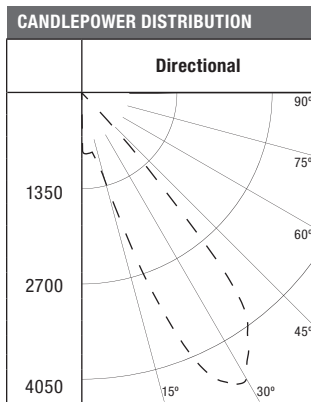
|             |                 |
|-------------|-----------------|
| Test Number | P21946          |
| Platform    | P3LED           |
| Element     | E3SLOT RG50FL40 |
| Lumens      | 942             |
| Efficacy    | 49.1 Lm/W       |

| ZONAL LUMEN SUMMARY |        |          |
|---------------------|--------|----------|
| Zone                | Lumens | %Fixture |
| 0-30                | 463    | 49.1     |
| 0-40                | 767    | 81.4     |
| 0-60                | 939    | 99.7     |
| 0-90                | 942    | 100.0    |
| 90-180              | 0      | 0.0      |
| 0-180               | 942    | 100.0    |

| 30° HORIZONTAL PLANE |    |      |      |      |  |
|----------------------|----|------|------|------|--|
| D                    | FC | L    | W    | CB   |  |
| 6'                   | 59 | 4.2' | 4'   | 3.5' |  |
| 7'                   | 44 | 4.9' | 4.7' | 4'   |  |
| 8'                   | 33 | 5.6' | 5.4' | 4.6' |  |
| 10'                  | 21 | 7'   | 6.7' | 5.8' |  |
| 12'                  | 15 | 8.3' | 8.1' | 6.9' |  |

| 30° VERTICAL PLANE |    |       |       |       |  |
|--------------------|----|-------|-------|-------|--|
| D                  | FC | L     | W     | CB    |  |
| 4'                 | 44 | 3.6'  | 3.5'  | 6.9'  |  |
| 6'                 | 19 | 5.4'  | 5.3'  | 10.4' |  |
| 8'                 | 11 | 7.2'  | 7.1'  | 13.9' |  |
| 10'                | 7  | 9'    | 8.8'  | 17.3' |  |
| 12'                | 5  | 10.8' | 10.6' | 20.8' |  |

| SINGLE UNIT FOOTCANDLES                         |      |      |      |     |     |    |    |
|---|------|------|------|-----|-----|----|----|
| 3' FROM WALL (Distance From Fixture Along Wall) |      |      |      |     |     |    |    |
| DD  | ●    | 1'   | 2'   | 3'  | 4'  | 5' | 6' |
| 1'  | 0    | 0    | 0.1  | 0   | 0   | 0  | 0  |
| 2'  | 2.1  | 0.3  | 0    | 0   | 0   | 0  | 0  |
| 3'  | 67.8 | 28.7 | 0.2  | 0.1 | 0   | 0  | 0  |
| 4'  | 63.3 | 50.8 | 5.6  | 0.1 | 0   | 0  | 0  |
| 5'  | 43.5 | 35.8 | 17.8 | 0.2 | 0.1 | 0  | 0  |
| 6'  | 27.7 | 24.2 | 15.5 | 1.2 | 0.1 | 0  | 0  |
| 7'  | 18   | 17.4 | 11.7 | 2.9 | 0.1 | 0  | 0  |
| 8'  | 12.3 | 12.8 | 8.6  | 3.4 | 0.1 | 0  | 0  |
| 9'  | 8.7  | 8.8  | 6.2  | 2.9 | 0.3 | 0  | 0  |
| 10'   | 6.1  | 5.9  | 4.8  | 2.3 | 0.5 | 0  | 0  |



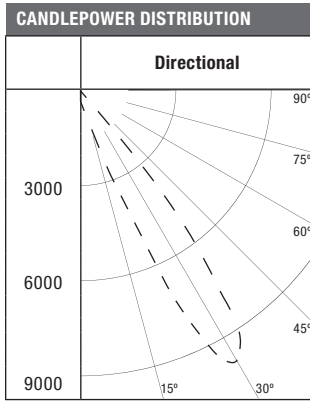
|             |                  |
|-------------|------------------|
| Test Number | P21945           |
| Platform    | P3LED            |
| Element     | E3SLOT RG50NFL25 |
| Lumens      | 916              |
| Efficacy    | 47.7 Lm/W        |

| ZONAL LUMEN SUMMARY |        |          |
|---------------------|--------|----------|
| Zone                | Lumens | %Fixture |
| 0-30                | 501    | 54.7     |
| 0-40                | 823    | 89.9     |
| 0-60                | 913    | 99.6     |
| 0-90                | 916    | 100.0    |
| 90-180              | 0      | 0.0      |
| 0-180               | 916    | 100.0    |

| 30° HORIZONTAL PLANE |    |      |      |      |  |
|----------------------|----|------|------|------|--|
| D                    | FC | L    | W    | CB   |  |
| 6'                   | 89 | 3'   | 2.6' | 3.5' |  |
| 7'                   | 65 | 3.5' | 3.1' | 4'   |  |
| 8'                   | 50 | 3.9' | 3.5' | 4.6' |  |
| 10'                  | 32 | 4.9' | 4.4' | 5.8' |  |
| 12'                  | 22 | 5.9' | 5.3' | 6.9' |  |

| 30° VERTICAL PLANE |    |       |      |       |  |
|--------------------|----|-------|------|-------|--|
| D                  | FC | L     | W    | CB    |  |
| 4'                 | 52 | 3.6'  | 2.6' | 6.9'  |  |
| 6'                 | 23 | 5.4'  | 3.9' | 10.4' |  |
| 8'                 | 13 | 7.2'  | 5.3' | 13.9' |  |
| 10'                | 8  | 9'    | 6.6' | 17.3' |  |
| 12'                | 6  | 10.8' | 7.9' | 20.8' |  |

| SINGLE UNIT FOOTCANDLES                         |      |      |     |     |     |     |    |
|---|------|------|-----|-----|-----|-----|----|
| 3' FROM WALL (Distance From Fixture Along Wall) |      |      |     |     |     |     |    |
| DD  | ●    | 1'   | 2'  | 3'  | 4'  | 5'  | 6' |
| 1'  | 0    | 0    | 0.1 | 0   | 0   | 0   | 0  |
| 2'  | 0.4  | 0.3  | 0   | 0   | 0   | 0   | 0  |
| 3'  | 34.7 | 9.2  | 0.2 | 0.1 | 0   | 0   | 0  |
| 4'  | 91.4 | 37.5 | 5.4 | 0.1 | 0   | 0   | 0  |
| 5'  | 67.8 | 43.4 | 10  | 0.8 | 0.1 | 0   | 0  |
| 6'  | 44.4 | 31.5 | 8.1 | 2.1 | 0.1 | 0   | 0  |
| 7'  | 27.4 | 20.5 | 6.3 | 2.8 | 0.3 | 0   | 0  |
| 8'  | 15.7 | 12.6 | 4.7 | 2.6 | 0.5 | 0   | 0  |
| 9'  | 8.4  | 7.2  | 3.7 | 2.2 | 0.6 | 0   | 0  |
| 10'   | 4.7  | 4    | 3.1 | 1.8 | 0.8 | 0.1 | 0  |



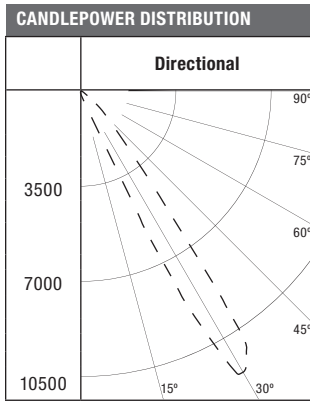
|             |                  |  |
|-------------|------------------|--|
| Test Number | P21944           |  |
| Platform    | P3LED            |  |
| Element     | E3SLOTC RG50SP15 |  |
| Lumens      | 1012             |  |
| Efficacy    | 52.7 Lm/W        |  |

| ZONAL LUMEN SUMMARY |        |          |
|---------------------|--------|----------|
| Zone                | Lumens | %Fixture |
| 0-30                | 507    | 50.1     |
| 0-40                | 916    | 90.5     |
| 0-60                | 1009   | 99.7     |
| 0-90                | 1012   | 100.0    |
| 90-180              | 0      | 0.0      |
| 0-180               | 1012   | 100.0    |

| 30° HORIZONTAL PLANE |     |     |      |      |      |
|----------------------|-----|-----|------|------|------|
|                      | D   | FC  | L    | W    | CB   |
|                      | 6'  | 171 | 2.2' | 1.8' | 3.5' |
|                      | 7'  | 126 | 2.6' | 2.1' | 4'   |
|                      | 8'  | 96  | 2.9' | 2.5' | 4.6' |
|                      | 10' | 62  | 3.7' | 3.1' | 5.8' |
|                      | 12' | 43  | 4.4' | 3.7' | 6.9' |

| 30° VERTICAL PLANE |     |    |      |      |       |
|--------------------|-----|----|------|------|-------|
|                    | D   | FC | L    | W    | CB    |
|                    | 4'  | 92 | 3.3' | 1.9' | 6.9'  |
|                    | 6'  | 41 | 5'   | 2.8' | 10.4' |
|                    | 8'  | 23 | 6.6' | 3.7' | 13.9' |
|                    | 10' | 15 | 8.3' | 4.7' | 17.3' |
|                    | 12' | 10 | 9.9' | 5.6' | 20.8' |

| SINGLE UNIT FOOTCANDLES                            |       |      |     |     |     |     |     |
|--|-------|------|-----|-----|-----|-----|-----|
| 3' FROM WALL<br>(Distance From Fixture Along Wall) |       |      |     |     |     |     |     |
| DD   | ●     | 1'   | 2'  | 3'  | 4'  | 5'  | 6'  |
| 1'   | 0     | 0    | 0   | 0   | 0   | 0   | 0   |
| 2'   | 4     | 0.7  | 0   | 0   | 0   | 0   | 0   |
| 3'   | 28.7  | 7.4  | 1.5 | 0   | 0   | 0   | 0   |
| 4'   | 137.4 | 30.1 | 6.5 | 0.1 | 0   | 0   | 0   |
| 5'   | 143.2 | 40.2 | 9.3 | 0.6 | 0.1 | 0   | 0   |
| 6'   | 85.4  | 31.4 | 10  | 1.3 | 0.3 | 0   | 0   |
| 7'   | 38.8  | 18.1 | 8   | 2.1 | 0.5 | 0.1 | 0   |
| 8'   | 15.2  | 10.3 | 5.5 | 2   | 0.8 | 0.2 | 0   |
| 9'   | 7.2   | 5.8  | 3.9 | 1.6 | 0.8 | 0.3 | 0.1 |
| 10'  | 3.8   | 3.2  | 2.7 | 1.3 | 0.7 | 0.3 | 0.1 |



|             |                   |  |
|-------------|-------------------|--|
| Test Number | P21943            |  |
| Platform    | P3LED             |  |
| Element     | E3SLOTC RG50NSP10 |  |
| Lumens      | 985               |  |
| Efficacy    | 51.3 Lm/W         |  |

| ZONAL LUMEN SUMMARY |        |          |
|---------------------|--------|----------|
| Zone                | Lumens | %Fixture |
| 0-30                | 504    | 51.1     |
| 0-40                | 883    | 89.6     |
| 0-60                | 982    | 99.7     |
| 0-90                | 985    | 100.0    |
| 90-180              | 0      | 0.0      |
| 0-180               | 985    | 100.0    |

| 30° HORIZONTAL PLANE |     |     |      |      |      |
|----------------------|-----|-----|------|------|------|
|                      | D   | FC  | L    | W    | CB   |
|                      | 6'  | 206 | 1.6' | 1.5' | 3.5' |
|                      | 7'  | 152 | 1.9' | 1.7' | 4'   |
|                      | 8'  | 116 | 2.2' | 1.9' | 4.6' |
|                      | 10' | 74  | 2.7' | 2.4' | 5.8' |
|                      | 12' | 52  | 3.2' | 2.9' | 6.9' |

| 30° VERTICAL PLANE |     |     |      |      |       |
|--------------------|-----|-----|------|------|-------|
|                    | D   | FC  | L    | W    | CB    |
|                    | 4'  | 108 | 2.7' | 1.4' | 6.9'  |
|                    | 6'  | 48  | 4'   | 2.1' | 10.4' |
|                    | 8'  | 27  | 5.4' | 2.8' | 13.9' |
|                    | 10' | 17  | 6.7' | 3.6' | 17.3' |
|                    | 12' | 12  | 8'   | 4.3' | 20.8' |

| SINGLE UNIT FOOTCANDLES                            |       |      |      |     |     |     |     |
|--|-------|------|------|-----|-----|-----|-----|
| 3' FROM WALL<br>(Distance From Fixture Along Wall) |       |      |      |     |     |     |     |
| DD   | ●     | 1'   | 2'   | 3'  | 4'  | 5'  | 6'  |
| 1'   | 0     | 0    | 0    | 0   | 0   | 0   | 0   |
| 2'   | 0.1   | 0.1  | 0    | 0   | 0   | 0   | 0   |
| 3'   | 32.9  | 13.9 | 0.1  | 0   | 0   | 0   | 0   |
| 4'   | 95.8  | 30.5 | 8.2  | 0   | 0   | 0   | 0   |
| 5'   | 178.2 | 29   | 10.1 | 1.6 | 0   | 0   | 0   |
| 6'   | 94.5  | 20.8 | 9.3  | 2.4 | 0.7 | 0   | 0   |
| 7'   | 22.7  | 13   | 7.1  | 3   | 0.9 | 0.3 | 0   |
| 8'   | 9.1   | 8.4  | 5.2  | 2.7 | 1.1 | 0.3 | 0.1 |
| 9'   | 5.1   | 5.2  | 4    | 2.2 | 1.2 | 0.4 | 0.1 |
| 10'  | 3.1   | 3.1  | 3    | 1.7 | 1   | 0.4 | 0.1 |

**LED lighting facts®**  
A Program of the U.S. DOE

**Light Output (Lumens)** 1025  
**Watts** 20.4  
**Lumens per Watt (Efficacy)** 50

**Color Accuracy** 82  
Color Rendering Index (CRI)

**Light Color** 3100 (Bright White)  
Correlated Color Temperature (CCT)

2700K 3000K 4500K 6500K

Warm White Bright White Daylight

All results are according to IESNA LM-79-2008: Approved Method for the Electrical and Photometric Testing of Solid-State Lighting. The U.S. Department of Energy (DOE) verifies product test data and results.

Visit [www.lightingfacts.com](http://www.lightingfacts.com) for the Label Reference Guide.

Registration Number: F4QJ-YFCHZW (2/24/2012)  
Model Number: P3LED98301ED-10V/TEE3\*[all Alzak Finishes]\*  
Type: Recessed downlight

**LED lighting facts®**  
A Program of the U.S. DOE

**Light Output (Lumens)** 1000  
**Watts** 20.4  
**Lumens per Watt (Efficacy)** 49

**Color Accuracy** 82  
Color Rendering Index (CRI)

**Light Color** 3100 (Bright White)  
Correlated Color Temperature (CCT)

2700K 3000K 4500K 6500K

Warm White Bright White Daylight

All results are according to IESNA LM-79-2008: Approved Method for the Electrical and Photometric Testing of Solid-State Lighting. The U.S. Department of Energy (DOE) verifies product test data and results.

Visit [www.lightingfacts.com](http://www.lightingfacts.com) for the Label Reference Guide.

Registration Number: F4QJ-YRZXNQ (2/24/2012)  
Model Number: P3LED98301ED-10V/TEE3\*[all Paint Finishes]\*\*  
Type: Recessed downlight