

# INSTALLATION INSTRUCTIONS

**IMPORTANT: READ BEFORE REMOVING FIXTURE FROM CARTON. RETAIN FOR FUTURE REFERENCE.**



**SAFETY:** This fixture must be wired in accordance with the National Electrical Code and applicable local codes and ordinances. Proper grounding is required to insure personal safety. Carefully observe grounding procedure under installation section.

**WARNING:** Make certain power is OFF before starting installation or attempting any maintenance. Risk of fire/electric shock. If not qualified, consult an electrician.

- RISK OF ELECTRIC SHOCK – Disconnect power at fuse or circuit breaker before installing or servicing.

- RISK OF BURN – Disconnect power and allow fixture to cool before servicing.
- RISK OF PERSONAL INJURY – Fixture may become damaged and/or unstable if not installed properly. Tighten all fixture components to their recommended torque values.
- RISK OF PERSONAL INJURY – Do not lift pole into place by securing lifting device to lighting fixture or mounting arm.
- DO NOT mount luminaire within 6" of a combustible surface.
- DO NOT handle or touch the LEDs area of the luminaire.

**WARNING:** Make certain power is OFF before starting installation or attempting any maintenance.

## APPLICATIONS

This lighting fixture is designed for outdoor lighting services, and should not be used in areas of limited ventilation or in high ambient temperature enclosures. It must be stored in a dry location prior to installation. Do not expose lighting fixture to rain, dust or other environmental conditions prior to installation and insertion of photocontrol or shorting cap (if so equipped). Construction is suitable for down lighting only. Best results will be obtained if installed and maintained according to the following recommendations. Do not place the fixture onto the ground with the LED/optical side facing down during the installation process.

Rated for 40°C (104°F) ambient. Suitable for wet location. Pole mount and wall mount options.

## ARM MOUNT (SQUARE POLE)

Lay fixture on it's back, open and remove door. Release power tray by depressing two (2) latches on the tray. Depress tray locking mechanism and slide tray from hinge. Disconnect the polarized plug from the receptacle and remove the tray. Remove pole cap allowing nut plate to be inserted into pole and align with bolt holes. Install threaded bolts into nut plate. Align arm (end with drain holes towards pole) and replace over threaded bolts into back of fixture. Route fixture supply leads through arm and into pole. Place washers and thread nuts onto threaded bolts inside of fixture securely. Housing and arm must be square with pole. Tighten bolts to 30 ft. lbs. Finish securing electrical connections inside of pole.

## ARM MOUNT (ROUND POLE)

Installation same as with square pole except a round pole arm must be used.

## WIRING

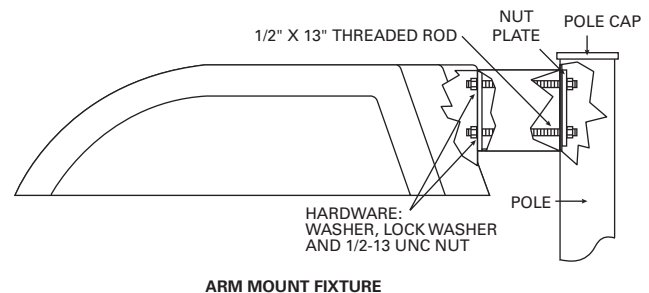
Fixture leads are to be routed from housing to pole. All wiring connections are to be made in the pole. Wire the fixture voltage lead to the supply voltage lead; the fixture common lead to the supply neutral lead and the fixture ground lead to the supply grounding lead. Ensure supply wires are secured to wire clamp on the nut plate. Re-connect the polarized lug and replace driver tray. To check for positive engagement of tray latches pull firmly on driver tray.

**NOTE:** To wire fixture to circuits not having a neutral lead such as 480V.

Connect the fixture voltage lead to one of the supply leads; the fixture common lead to the other supply lead and the fixture ground lead to a suitable ground.

**WARNING:** Recheck to be sure that the fixture has been wired properly.

Improper wiring may result in driver failure which voids all warranties.



These instructions do not claim to cover all details or variations in the equipment, procedure, or process described, nor to provide directions for meeting every possible contingency during installation, operation or maintenance. When additional information is desired to satisfy a problem not covered sufficiently for user's purpose, please contact your nearest representative. **NOTE:** Specifications and dimensions subject to change without notice.

## INSTALLATION INSTRUCTIONS

**IMPORTANT:** READ BEFORE REMOVING FIXTURE FROM CARTON. RETAIN FOR FUTURE REFERENCE.

**WARNING:** Make certain power is OFF before starting installation or attempting any maintenance.

### PHOTOCONTROL RECEPTACLE

Loosen two (2) flathead screws sufficiently to allow rotation of the receptacle **FIG. 1**. Insert screwdriver into center slot to rotate receptacle until indicator arrows points north. Hold receptacle in position and retighten screws firmly. Insert photoelectric control and twist it to a locked position. The photocontrol must contain a soft, resilient gasket fastened to the bottom surface to assure a proper weather seal between the control and the receptacle.

**NOTE:** The orientation procedure is only required for photocontrols which specifically require that the cell be aimed north. Otherwise random factory orientation will generally suffice. Follow the directions recommended by the supplier of the photocontrol proximity to light colored building surfaces. Lighted signs or floodlights, tree branches, etc. may affect final position of the photocontrol.

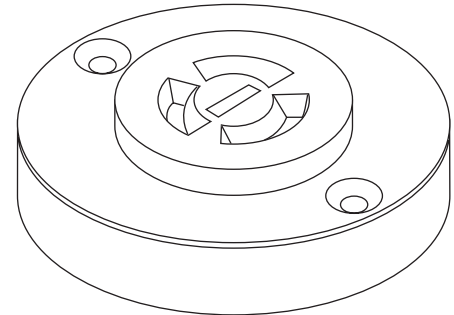


FIG. 1

### DISTRIBUTION

1. The Vision Site Medium LED fixture is offered with some optics that has directional distributions. For aiming purposes, the LED module allow for rotatable optics **FIG. 2**.
2. To rotate the optics, first remove the LED window frame by unscrewing four (4) #8-32 Philip screws.
3. Unscrew the four captive #10-24 Philip screws to remove LED module from housing.
4. Rotate LED module clockwise or counterclockwise 90° as desired then reattach LED tray to housing.
5. Reattach the LED window frame and close door assuring that both button latches are fastened securely.

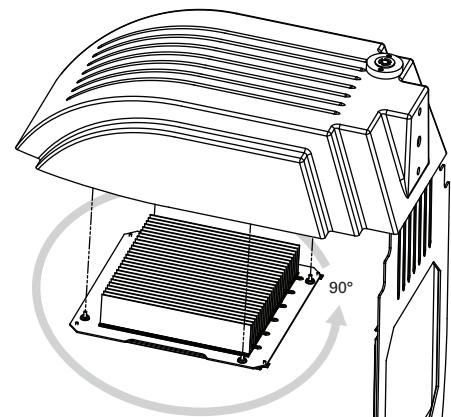


FIG. 2

### BI-LEVEL SWITCHING (IF EQUIPPED)

For Bi-level switching, the input leads to the fixture will be independently labeled to indicate switching preferences as appropriate (as defined by the order requirements). Two (2) separate supply lines of line voltage, neutral, and ground must be provided to the fixture to enable the bi-level switching functionality of the fixture.

### MAINTENANCE

A regular maintenance schedule should be followed to retain optimal light output and thermal performance. Optical lens cleaning should be performed with a clean dry cloth to remove any dust or other contaminants. Additional cleaning can be performed with non-abrasive acrylic cleansing solution.

### MOV CIRCUIT MODULE REPLACEMENT

1. Disconnect wires connected to and from quick connectors by lifting levers to corresponding wires.
2. Remove #10-24 Pan Philip screw and MOV Circuit Module Replacement off **FIG. 3**.
3. Insert new MOV Circuit Module Replacement and screw down to lock in place.
4. Reattach MOV Circuit Module Replacement wires to corresponding quick connectors and flip levers down to lock wires in place.

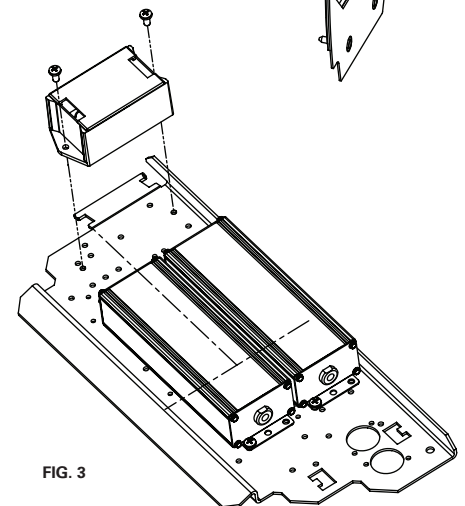


FIG. 3

These instructions do not claim to cover all details or variations in the equipment, procedure, or process described, nor to provide directions for meeting every possible contingency during installation, operation or maintenance. When additional information is desired to satisfy a problem not covered sufficiently for user's purpose, please contact your nearest representative. **NOTE:** Specifications and dimensions subject to change without notice.