

DESCRIPTION

Low voltage Perforated Shade lampholders for use with 12V MR16 lamps. L2702 has integral 12V Electronic transformer, L2701 must be used with L2001 electronic transformer (order separately). For use with Halo Power-Trac systems except Four-Circuit track.

Catalog #	Type
Project	
Comments	
Prepared by	Date

SPECIFICATION FEATURES

A...Electrical Quick Lock Adapter/Transformer

Polycarbonate casing. Attaches electrically and mechanically anywhere along Power-Trac. L2702 includes integral 12V Electronic transformer. Visual polarity line assures proper grounding. Two position conductor allows

use in single circuit and either circuit of two circuit track.

B...Body

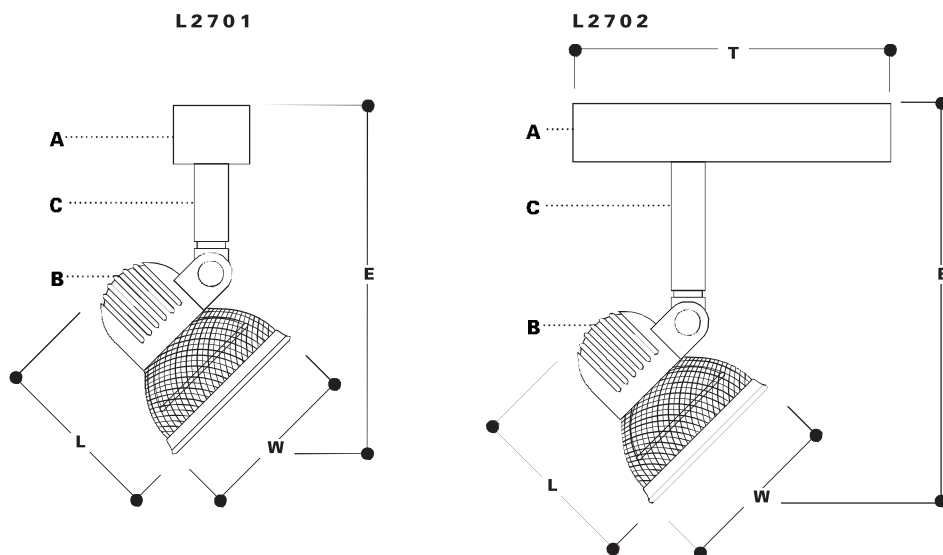
Die cast metal lampholder body with perforated shade. Shade includes tempered glass safety shield.

C... Stem

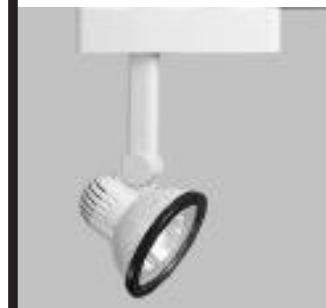
Stem allows lampholder to rotate 338° and adjust vertically from 0° to 90°.

Listings

UL listed and CSA certified for use with Halo and Lazer-by-Halo track and track systems.



L2701



L2702

**LOW VOLTAGE
PERFORATED SHADE
LAMPHOLDERS**

Power-Trac®

ORDERING INFORMATION

SAMPLE NUMBER: L2701P

Lampholders

L2701
L2702

Finishes

P=White
MB=Matte Black



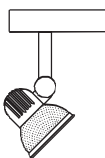
L2701

For use with:
Up to 50W 12V MR16
L =3" [76mm]
W=3 1/4" [83mm]
E =6 1/8" [137mm]

Accessories

L2001 12V Transformer
(Required for operation)

NOTE: NOTFORUSE WITH
FOURCIRCUIT TRACK



L2702

For use with:
Up to 75W 12V MR16
L =3" [76mm]
W=3 1/4" [83mm]
E =7 1/4" [184mm]
T =5 1/4"

NOTE: NOT FOR USE WITH
FOUR CIRCUIT TRACK

ENERGY DATA L2701 WITH L2001

Transformer Type: Electronic
Line Amps: 0.45A
Total input Watts: 52W
Power Factor: >0.95
THD: <20%

L2702

Transformer Type: Electronic
Line Amps: 0.61A
Total input Watts: 72W
Power Factor: >0.95
THD: <25%

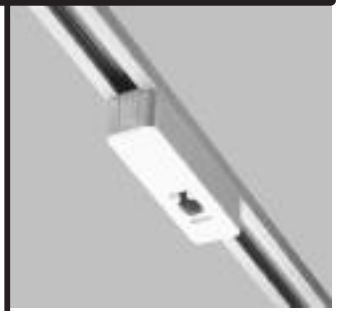
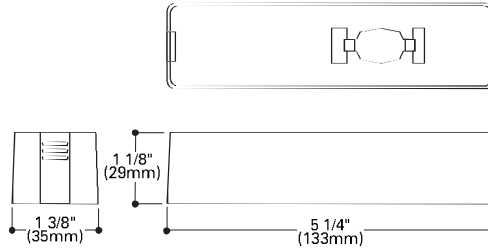
ADV990336

ACCESSORIES

L2001 Solid State Adapter

Notes: For use with 120V Trac and L2760 Lampholders. Other lampholders will not function if they are inserted into L2001. Not for use with Four Circuit Power-Trac. 50W max.

Color Code: P, MB

**L2001 ADAPTER**

Note: Specifications and Dimensions subject to change without notice.

Visit our web site at www.cooperlighting.com