

DESCRIPTION

A lampholder designed for use with Halo Power-Trac that utilizes standard PAR and halogen PAR lamp technology. Front loading of the lamp allows ease of relamping. Available in white or black finish. For use with Halo and Lazer-by-Halo track systems.

Well suited for accent lighting in commercial spaces, loft apartments, home offices and home theaters.

Catalog #	Type
Project	
Comments	
Prepared by	Date

SPECIFICATION FEATURES

A---Quick Lock Adapter

Polycarbonate casing. Attaches electrically and mechanically anywhere along Power-Trac.

Visual polarity line assures proper grounding.

Two position conductor allows use in single circuit and either circuit of two circuit track.

B---Arm

Yoke allows lampholder to rotate 338° horizontally and

provides 0° to 90° vertical pivot for maximum aiming adjustability.

C---Lampholder Body

Formed metal housing provides light weight and optimal heat dissipation. Available in three finishes—Satin White, Matte Black and Satin Metallic Silver.

D---Adjustment Knob

Large easy-to-use adjustment knob locks in aiming angles.

Labels

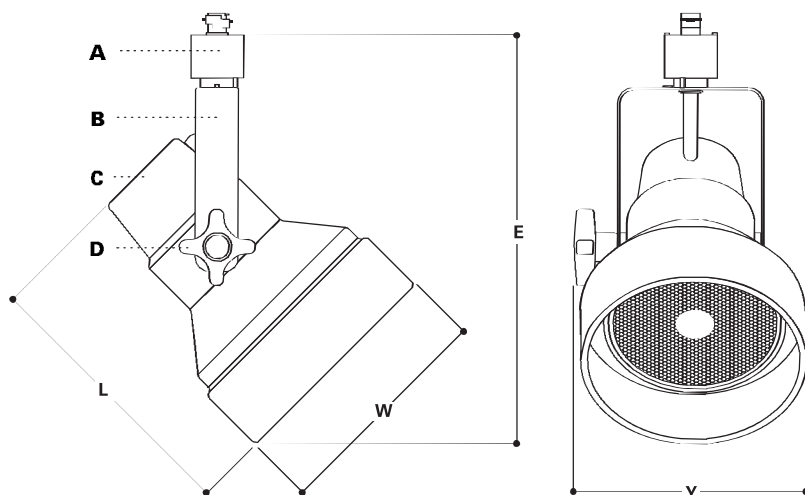
UL listed and CSA certified for use with Halo and Lazer-by-Halo track and track systems.



L1838

PAR LAMP
STUDIO
LAMP HOLDERS

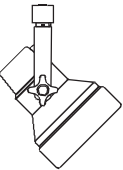
Power-Trac



ORDERING INFORMATION

SAMPLE NUMBER: L1838P

Lampholders	Finishes	Accessories
L1838	P=Satin White MB=Satin Black SL=Satin Metallic Silver	See below



L1838

For use with: 250W PAR38

W=5 7/8" [150mm]

L =7" [178mm]

E =10 3/4" [273mm]

Y =6" [154mm]

Accessories

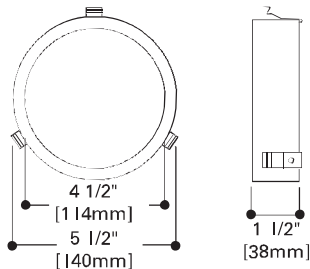
L1977MB Barn Door Shutters - accepts 6 5/16" L300 Series Lenses and L277 Louver

L352MB Media Holder accepts 4 11/16" L200 Series Lenses and L275 Louver

ACCESSORIES

L352 Media Holder

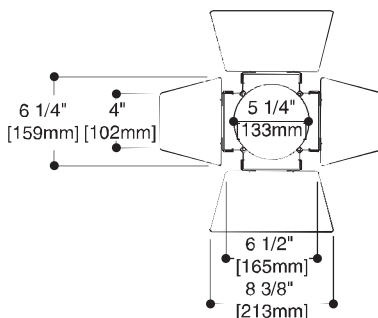
For use with L1838
Lampholder to hold L200
Series color filters and L275
louver.



L352 Media Holder

**L1977MB Barn Door
Shutters**

For use with L1838
Lampholders to hold L300 color
filters and L277 louver.

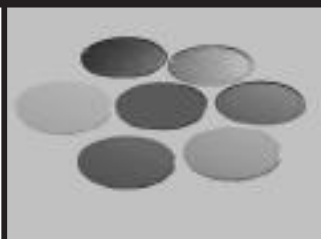
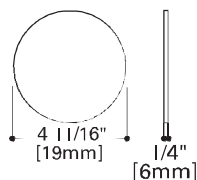


**L1977MB
Barn Doors**

**L200 Series Color
Filters**

Glass Filters 4 1/16" (119mm)
diameter. For use with L1838
with L352MB Media Holder.

- L211=Medium Pink Color Filter
- L212=Warm Red Color Filter
- L214=Ultraviolet Filter
- L220=Daylight Blue Color Filter
- L221=Medium Blue Color Filter
- L231=Medium Amber Color Filter
- L241=Medium Green Color Filter

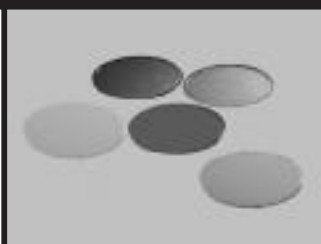
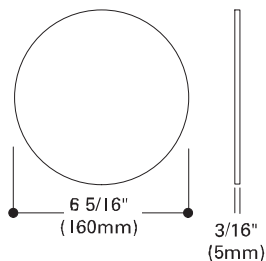


L200 Color Filters

**L300 Series Color
Filters**

Glass Filters 6 5/16" (160mm)
diameter. For use with L1838
and L1977MB Barn Door.

- L312=Warm Red Color Filter
- L314=Ultraviolet Filter
- L320=Daylight Blue Color Filter
- L330=Straw Color Filter
- L331=Medium Amber Color Filter
- L341=Medium Green Color Filter



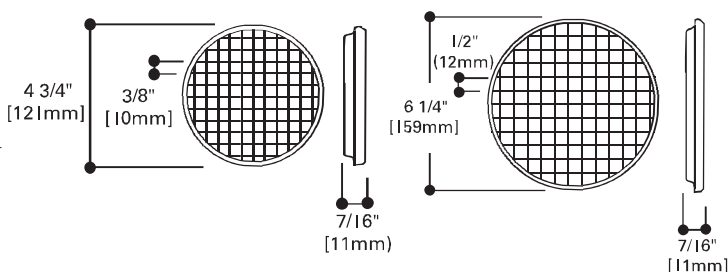
L300 Color Filters

L275 Cube Cell Louver

4 3/4" OD (121mm). Black finish
1/2" cells for directing light and
eliminating glare. For use with
L1838 and L352MB Media Holder.

L277 Cube Cell Louver

6 1/4" OD (159mm). Black finish
1/2" cells for directing light and
eliminating glare. For use with
L1838 and L1977MB Barn Doors.



Cube Louvers

Note: Specifications and Dimensions subject to change without notice.

Visit our web site at www.cooperlighting.com