

Description

Recessed 4" aperture ultra-shallow new construction housing for use with LED integrated trims. Suitable for 2x4 residential framing or shallow plenum commercial construction, type IC rated and can be used in direct contact with insulation. Airtight rating reduces airflow between living spaces and unconditioned areas providing additional energy savings. Use with Halo LT4, RL4, RA4, SMD4, SLD4 LED integrated trims and the ML4 LED modular recessed lighting system.

Catalog #		Type
Project		
Comments		Date
Prepared by		

Specification Features

Housing

- Single wall deep drawn aluminum housing painted matte black for a visually dark interior
- Adjusts vertically to accommodate 1/2" to 1-1/4" thick ceilings and locks in position with (3) setscrews
- V notches on plaster lip facilitate use of guide strings or laser lines for precise positioning
- Integral gasket provides for airtight compliance
- Shipped with overspray protector installed
- Housing can be removed from below the ceiling for service or splice inspection

Plaster Frame

- Compact galvanized steel plaster frame with integral bar hanger receivers
- Regressed screw provide positive horizontal bar hanger locking from below the ceiling
- Crimp points also provide for horizontal bar hanger locking

Bar Hangers

- Captive preinstalled Got-Nail™ bar hangers support housing at any point along span
- Pass-N-Thru™ feature adjust from 8" to 24" wide without removal
- Score lines allow "tool-less" shortening for 12" joists
- Captive nail penetrates standard and engineered lumber
- Safety and guidance system prevents snagging, ensures smooth straight nail penetration and allows bar hangers to be easily removed and repositioned
- Leveling flange aligns plaster frame with structure
- Integral clip attaches directly to tee-bar

Junction Box

- Compact galvanized steel junction box with 15in³ internal volume
- Listed for (10) #12 AWG 90° C splice conductors
- (5) 1/2" conduit pry-outs positioned to allow straight conduit runs
- (3) Slide-N-Side™ non-metallic (NM) wire traps allows wiring outside the box
- Accepts 14-2, 14-3, 12-2, 12-3 U.S. and 14-2, 14-3, 12-2 Canadian NM cable
- (3) 4-port push wire nuts with clear caps for quick and reliable mains voltage connections

Connector

- Two-conductor wire mount connector is rated for 120/277V and mates with Halo LT4, RL4, RA4, SLD, SMD and ML4 family of LED integrated trims.
- **CAUTION:** verify LED module input voltage is compatible with the input voltage of the housing. If uncertain, consult a qualified electrician

Code Compliance

- Type IC inherently protected, suitable for direct contact to air permeable insulation and cULus listed for damp locations
- Not for use in direct contact with spray foam insulation, consult NEMA LSD57-2013
- Wet location listed in covered ceilings and IP66 certified with select trims
- Airtight per ASTM-E283
- Can be used for State of California Title 24 high efficacy luminaire compliance
- Suitable for use in clothes closets when installed in accordance with the NEC 410.16 spacing requirements
- Contains no mercury or lead and RoHS compliant

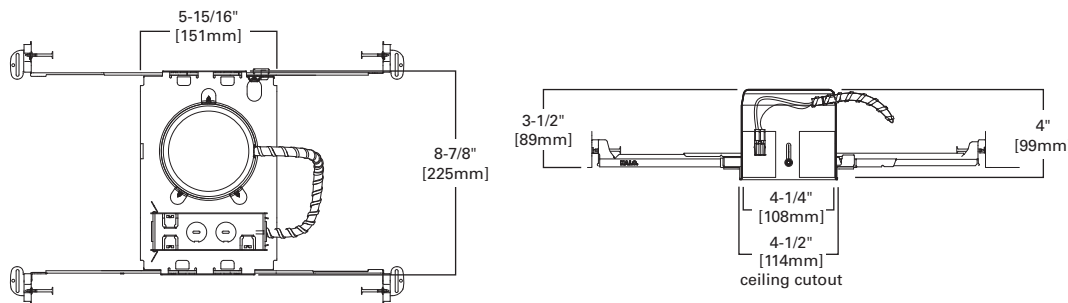
Warranty

- Five year limited warranty, consult website for details www.cooperlighting.com



H245ICAT
4" Ultra-Shallow Recessed New Construction Housing
For Integrated LED Trims and Modules
15W Maximum

Dimensions



Ordering Information

A complete luminaire consists of a housing, LED module and trim, order separately.

Housing	Trims
H245ICAT= 4" ultra-shallow new construction housing for LED integrated trims or modules	LT4 RA4 RL4 ML4 SMD4 SLD4

