

| | | | | | |
|-------------|--|-----------|--|------|--|
| Project | | Catalog # | | Type | |
| Prepared by | | Notes | | Date | |



HALO

L815 Stasis Square

With sleek, simple geometric profiles and high-performance optics, and a full range of beam angles in 3 different sizes, Stasis provides just the right accent to any high-end application.

Typical Applications

Showrooms • Hospitality • Specialty Retail

Interactive Menu

- Order Information page 2
- Photometric Data page 3
- Product Warranty

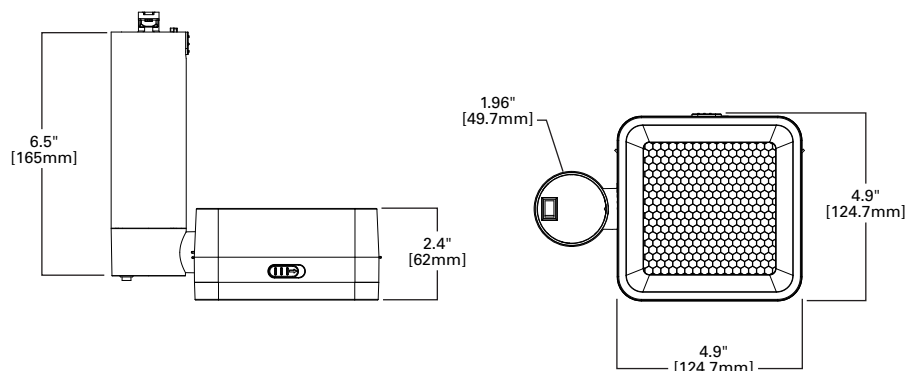
Product Certification



Top Product Features

- Interchangeable, wide selection of beam patterns that meets any accent lighting application.
- Sleek square design
- Low-Glare optics

Dimensional and Mounting Details



Order Information

Icon Key:  Configurable Product

SAMPLE ORDER NUMBER: **L815SQ10FL930MB**

| Track | Size | Output | Optic | CRI & CCT | Finish | Voltage |
|---|--------------|--|--|--|--|--|
| L =Halo Power Trac L2G =Global TEK/HTEK ⁽¹⁾ LJ =Juno Track ⁽²⁾ LL =Lightolier ⁽³⁾ M =Monopoint | 815SQ | 10 =1000 20 =2000 30 =3000 40 =4000 | SP =15 deg NF =22 deg FL =37 deg WF =60 deg WW =Wall Wash | 927 =2700K / 90 CRI 930 =3000K / 90 CRI 935 =3500K / 90 CRI 940 =4000K / 90 CRI | MB =Black P =White SL =Silver | Blank =120V 277 =277V ⁽⁴⁾ |
| Notes (1) Global® is a registered trademark of Nordic Aluminum. (2) Juno® T single circuit and 2-circuit track contact. Juno® is a registered trademark of Juno® Lighting. (3) Lightolier® Lytespan 6000 single circuit and 2 circuit track contact. Lightolier® is a registered trademark of Philips Lighting. | Notes | Notes | Notes | Notes | Notes | Notes (4) 277V is only available for Global HTEK track |

Accessories

| Accessories | | |
|---|---|---|
| *815LRGCVPKMB =Square back cover, Black *815LRGCVPKP =Square back cover, White *815LRGCVPKSL =Square back cover, Silver LB115HEXSQ =Square hex cell louver | Optics - 1000 & 2000 Lumen 815SQSP130PK =Square Spot Optic Accessory 815SQNF130PK =Square Narrow Flood Optic Accessory 815SQFL130PK =Square Flood Optic Accessory 815SQWF130PK =Square Wide Flood Optic Accessory 815SQWW130PK =Square Wall Wash Optic Accessory | Optics - 3000 & 4000 Lumen 815SQSP260PK =Square Spot Optic Accessory 815SQNF260PK =Square Narrow Flood Optic Accessory 815SQFL260PK =Square Flood Optic Accessory 815SQWF260PK =Square Wide Flood Optic Accessory 815SQWW260PK =Square Wall Wash Optic Accessory |
| Notes *Suitable for 1000 - 3000 L outputs only | Notes | Notes |

Product Specifications

Aiming

- Full aiming capable.
- Can pivot +/-90° vertically and horizontally without adjusting track position.
- Graduations every 15° for precise and repeatable tilt aiming.
- Alignment Indicator mark on the bottom.

Design

- All-metal smooth square shape
- Recessed heat sink allows for sleeker aesthetics. Optional vented back cover provides an even cleaner look.
- Available in white, black, and silver finishes

Optics & Light Engine

- Available in 4 beam distributions, ranging from 15 degrees to 60 degrees, as well as a wall wash.
- Equipped with a discrete LED array.
- Low-glare polycarbonate lens
- Removable bezel allows for interchangeable optics
- Accommodates up to 1 piece of additional media
- Optional hex honeycomb filter available.
- Light output maintains above 70% past 50,000 hours

Electrical

- Universal 120 – 277V*, 50/60 Hz driver.
*277V available only with 277 V Global track
- Individual on/off control is possible with the integral on/off switch provided.

Dimming

- Compatible with select TRIAC and ELV dimmers down to 5%.
- Dimming only available with 120V configurations

Warranty

- Five year limited warranty
- Consult website for details.
cooperlighting.com

Photometric Data

 [View IES files](#)

Spot (15 deg beam width), 1000 lumen

| L815SQ10SP927MB | Lumens | Watts | LPW | CCT | SC (0/90/45) |
|-----------------|---------|--------|---------|-------|--------------------|
| | 1149 Lm | 14.2 W | 81 Lm/W | 3000K | 0.24 / 0.22 / 0.24 |

| 0 Deg Aiming Angle Horizontal Illuminance on Floor | | | | |
|---|-------|-----|-----|--|
| MH | FC | L | W | |
| 5' | 561 | 1.2 | 1 | |
| 7.5' | 249.3 | 1.8 | 1.6 | |
| 10' | 140.2 | 2.4 | 2.2 | |
| 12.5' | 89.8 | 3 | 2.6 | |
| 15' | 62.3 | 3.6 | 3.2 | |

| 30 deg Aiming Angle Horizontal Illuminance on Floor | | | | |
|--|-------|-----|-----|-----|
| MH | FC | L | W | CB |
| 5' | 371.1 | 1.5 | 1.2 | 2.9 |
| 7.5' | 164.9 | 2.3 | 1.8 | 4.3 |
| 10' | 92.8 | 3.1 | 2.4 | 5.8 |
| 12.5' | 59.4 | 3.9 | 3 | 7.2 |
| 15' | 41.2 | 4.7 | 3.6 | 8.7 |

| 30 deg Aiming Angle Vertical Illuminance on Wall | | | | |
|---|-------|-----|-----|------|
| D | FC | L | W | CB |
| 3' | 221.9 | 2.4 | 1.2 | 5.2 |
| 4' | 124.8 | 3.3 | 1.6 | 6.9 |
| 6' | 55.5 | 4.9 | 2.4 | 10.4 |
| 8' | 31.2 | 6.6 | 3.2 | 13.9 |
| 10' | 20 | 8.2 | 4 | 17.3 |

| 60 deg Aiming Angle Horizontal Illuminance on Floor | | | | |
|--|------|------|-----|------|
| MH | FC | L | W | CB |
| 5' | 79.9 | 4.1 | 2 | 8.7 |
| 7.5' | 35.5 | 6.2 | 3 | 13 |
| 10' | 20 | 8.1 | 4 | 17.3 |
| 12.5' | 12.8 | 10 | 5 | 21.7 |
| 15' | 8.9 | 11.9 | 6.2 | 26 |

| 60 deg Aiming Angle Vertical Illuminance on Wall | | | | |
|---|--------|-----|-----|-----|
| D | FC | L | W | CB |
| 3' | 1030.9 | 0.8 | 0.6 | 1.7 |
| 4' | 579.9 | 1.1 | 1 | 2.3 |
| 6' | 257.7 | 1.8 | 1.4 | 3.5 |
| 8' | 145 | 2.4 | 2 | 4.6 |
| 10' | 92.8 | 3.1 | 2.4 | 5.8 |

Narrow Flood (22 deg beam width), 1000 lumen

| L815SQ10NF927MB | Lumens | Watts | LPW | CCT | SC (0/90/45) |
|-----------------|---------|--------|-----------|-------|--------------------|
| | 1063 Lm | 14.2 W | 74.9 Lm/W | 3000K | 0.39 / 0.39 / 0.39 |

| 0 Deg Aiming Angle Horizontal Illuminance on Floor | | | | |
|---|-------|-----|-----|--|
| MH | FC | L | W | |
| 5' | 198.5 | 1.8 | 1.8 | |
| 7.5' | 88.2 | 2.8 | 2.8 | |
| 10' | 49.6 | 3.8 | 3.8 | |
| 12.5' | 31.8 | 4.8 | 4.8 | |
| 15' | 22.1 | 5.8 | 5.8 | |

| 30 deg Aiming Angle Horizontal Illuminance on Floor | | | | |
|--|-------|-----|-----|-----|
| MH | FC | L | W | CB |
| 5' | 134.6 | 2.4 | 2.2 | 2.9 |
| 7.5' | 59.8 | 3.6 | 3.2 | 4.3 |
| 10' | 33.7 | 4.9 | 4.4 | 5.8 |
| 12.5' | 21.5 | 6 | 5.4 | 7.2 |
| 15' | 15 | 7.3 | 6.6 | 8.7 |

| 30 deg Aiming Angle Vertical Illuminance on Wall | | | | |
|---|------|------|-----|------|
| D | FC | L | W | CB |
| 3' | 94.3 | 3 | 2 | 5.2 |
| 4' | 53 | 4.1 | 2.6 | 6.9 |
| 6' | 23.6 | 6.2 | 4 | 10.4 |
| 8' | 13.3 | 8.3 | 5.2 | 13.9 |
| 10' | 8.5 | 10.4 | 6.6 | 17.3 |

| 60 deg Aiming Angle Horizontal Illuminance on Floor | | | | |
|--|------|------|-----|------|
| MH | FC | L | W | CB |
| 5' | 33.9 | 5.2 | 3.2 | 8.7 |
| 7.5' | 15.1 | 7.8 | 5 | 13 |
| 10' | 8.5 | 10.2 | 6.6 | 17.3 |
| 12.5' | 5.4 | 12.5 | 8.2 | 21.7 |
| 15' | 3.8 | 14.8 | 9.8 | 26 |

| 60 deg Aiming Angle Vertical Illuminance on Wall | | | | |
|---|-------|-----|-----|-----|
| D | FC | L | W | CB |
| 3' | 373.9 | 1.4 | 1.2 | 1.7 |
| 4' | 210.3 | 1.9 | 1.6 | 2.3 |
| 6' | 93.5 | 2.9 | 2.6 | 3.5 |
| 8' | 52.6 | 3.9 | 3.4 | 4.6 |
| 10' | 33.7 | 4.9 | 4.4 | 5.8 |

Flood (37 deg beam width), 1000 lumen

| L815SQ10FL927MB | Lumens | Watts | LPW | CCT | SC (0/90/45) |
|-----------------|---------|--------|-----------|-------|--------------------|
| | 1096 Lm | 14.2 W | 77.1 Lm/W | 3000K | 0.62 / 0.62 / 0.55 |

| 0 Deg Aiming Angle Horizontal Illuminance on Floor | | | | |
|---|-------|-----|-----|--|
| MH | FC | L | W | |
| 5' | 116.5 | 3 | 3 | |
| 7.5' | 51.8 | 4.6 | 4.6 | |
| 10' | 29.1 | 6 | 6 | |
| 12.5' | 18.6 | 7.6 | 7.6 | |
| 15' | 12.9 | 9.2 | 9.2 | |

| 30 deg Aiming Angle Horizontal Illuminance on Floor | | | | |
|--|------|------|-----|-----|
| MH | FC | L | W | CB |
| 5' | 90.1 | 3.3 | 3.2 | 2.9 |
| 7.5' | 40.1 | 5.1 | 4.8 | 4.3 |
| 10' | 22.5 | 6.7 | 6.4 | 5.8 |
| 12.5' | 14.4 | 8.4 | 8 | 7.2 |
| 15' | 10 | 10.2 | 9.8 | 8.7 |

| 30 deg Aiming Angle Vertical Illuminance on Wall | | | | |
|---|------|-----|-----|------|
| D | FC | L | W | CB |
| 3' | 84.5 | 2.6 | 2.4 | 5.2 |
| 4' | 47.5 | 3.5 | 3.4 | 6.9 |
| 6' | 21.1 | 5.3 | 5 | 10.4 |
| 8' | 11.9 | 7.2 | 6.8 | 13.9 |
| 10' | 7.6 | 9 | 8.4 | 17.3 |

| 60 deg Aiming Angle Horizontal Illuminance on Floor | | | | |
|--|------|------|------|------|
| MH | FC | L | W | CB |
| 5' | 30.4 | 4.4 | 4.2 | 8.7 |
| 7.5' | 13.5 | 6.7 | 6.2 | 13 |
| 10' | 7.6 | 9 | 8.4 | 17.3 |
| 12.5' | 4.9 | 11.2 | 10.6 | 21.7 |
| 15' | 3.4 | 13.3 | 12.6 | 26 |

| 60 deg Aiming Angle Vertical Illuminance on Wall | | | | |
|---|-------|-----|-----|-----|
| D | FC | L | W | CB |
| 3' | 250.4 | 2 | 1.8 | 1.7 |
| 4' | 140.8 | 2.6 | 2.6 | 2.3 |
| 6' | 62.6 | 4 | 3.8 | 3.5 |
| 8' | 35.2 | 5.4 | 5.2 | 4.6 |
| 10' | 22.5 | 6.7 | 6.4 | 5.8 |

Wide Flood (60 deg beam width), 1000 lumen

| L815SQ10WF927MB | Lumens | Watts | LPW | CCT | SC (0/90/45) |
|-----------------|---------|--------|-----------|-------|--------------------|
| | 1084 Lm | 14.2 W | 76.3 Lm/W | 3000K | 0.95 / 0.95 / 0.86 |

| 0 Deg Aiming Angle Horizontal Illuminance on Floor | | | | |
|---|------|------|------|--|
| MH | FC | L | W | |
| 5' | 49.2 | 4.6 | 4.6 | |
| 7.5' | 21.9 | 7 | 7 | |
| 10' | 12.3 | 9.4 | 9.4 | |
| 12.5' | 7.9 | 11.8 | 11.8 | |
| 15' | 5.5 | 14.2 | 14.2 | |

| 30 deg Aiming Angle Horizontal Illuminance on Floor | | | | |
|--|------|------|------|-----|
| MH | FC | L | W | CB |
| 5' | 42.8 | 4.2 | 4.6 | 2.9 |
| 7.5' | 19 | 6.4 | 7 | 4.3 |
| 10' | 10.7 | 8.5 | 9.4 | 5.8 |
| 12.5' | 6.9 | 10.8 | 11.8 | 7.2 |
| 15' | 4.8 | 12.9 | 14 | 8.7 |

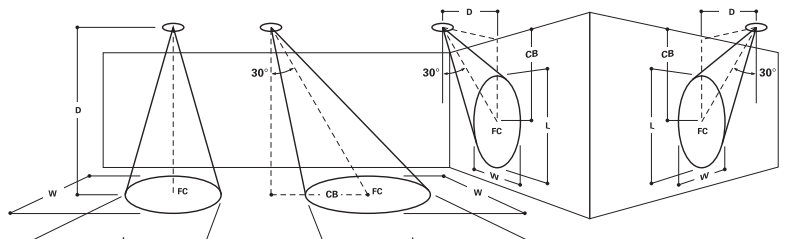
| 30 deg Aiming Angle Vertical Illuminance on Wall | | | | |
|---|------|-----|------|------|
| D | FC | L | W | CB |
| 3' | 54.6 | 2.5 | 3 | 5.2 |
| 4' | 30.7 | 3.4 | 4.2 | 6.9 |
| 6' | 13.6 | 5.2 | 6.4 | 10.4 |
| 8' | 7.7 | 7 | 8.4 | 13.9 |
| 10' | 4.9 | 8.8 | 10.6 | 17.3 |

| 60 deg Aiming Angle Horizontal Illuminance on Floor | | | | |
|--|------|------|------|------|
| MH | FC | L | W | CB |
| 5' | 19.6 | 4.3 | 5.2 | 8.7 |
| 7.5' | 8.7 | 6.6 | 7.8 | 13 |
| 10' | 4.9 | 8.7 | 10 | 17.3 |
| 12.5' | 3.1 | 10.8 | 12.2 | 21.7 |
| 15' | 2.2 | 12.9 | 14.4 | 26 |

| 60 deg Aiming Angle Vertical Illuminance on Wall | | | | |
|---|-------|-----|-----|-----|
| D | FC | L | W | CB |
| 3' | 118.9 | 2.5 | 2.8 | 1.7 |
| 4' | 66.9 | 3.4 | 3.6 | 2.3 |
| 6' | 29.7 | 5.1 | 5.6 | 3.5 |
| 8' | 16.7 | 6.8 | 7.4 | 4.6 |
| 10' | 10.7 | 8.5 | 9.4 | 5.8 |

Notes and Definitions:

Beam spread is to 50% center beam candlepower (CBCP)
 D=Distance in feet to floor or wall.
 FC=Footcandles on floor or wall at center beam aiming location.
 L=Effective Visual Beam length in feet (50% of maximum footcandle level.)
 W=Effective Visual Beam width in feet (50% of maximum footcandle level.)
 CB=Distance in feet across or down to center beam location.



Note: Refer to IES files for more product data.

Photometric Data

 [View IES files](#)

Spot (15 deg beam width), 2000 lumen

| L815SQ20SP927MB | Lumens | Watts | LPW | CCT | SC (0/90/45) |
|-----------------|---------|--------|-----------|-------|--------------------|
| | 2107 Lm | 26.7 W | 78.9 Lm/W | 3000K | 0.24 / 0.22 / 0.24 |

| 0 Deg Aiming Angle Horizontal Illuminance on Floor | | | | |
|---|--------|-----|-----|--|
| MH | FC | L | W | |
| 5' | 1028.4 | 1.2 | 1 | |
| 7.5' | 457.1 | 1.8 | 1.6 | |
| 10' | 257.1 | 2.4 | 2.2 | |
| 12.5' | 164.5 | 3 | 2.6 | |
| 15' | 114.3 | 3.6 | 3.2 | |

| 30 deg Aiming Angle Horizontal Illuminance on Floor | | | | |
|--|-------|-----|-----|-----|
| MH | FC | L | W | CB |
| 5' | 680.3 | 1.5 | 1.2 | 2.9 |
| 7.5' | 302.4 | 2.3 | 1.8 | 4.3 |
| 10' | 170.1 | 3.1 | 2.4 | 5.8 |
| 12.5' | 108.9 | 3.9 | 3 | 7.2 |
| 15' | 75.6 | 4.7 | 3.6 | 8.7 |

| 30 deg Aiming Angle Vertical Illuminance on Wall | | | | |
|---|-------|-----|-----|------|
| D | FC | L | W | CB |
| 3' | 406.7 | 2.4 | 1.2 | 5.2 |
| 4' | 228.8 | 3.3 | 1.6 | 6.9 |
| 6' | 101.7 | 4.9 | 2.4 | 10.4 |
| 8' | 57.2 | 6.6 | 3.2 | 13.9 |
| 10' | 36.6 | 8.2 | 4 | 17.3 |

| 60 deg Aiming Angle Horizontal Illuminance on Floor | | | | |
|--|-------|------|-----|------|
| MH | FC | L | W | CB |
| 5' | 146.4 | 4.1 | 2 | 8.7 |
| 7.5' | 65.1 | 6.2 | 3 | 13 |
| 10' | 36.6 | 8.1 | 4 | 17.3 |
| 12.5' | 23.4 | 10 | 5 | 21.7 |
| 15' | 16.3 | 11.9 | 6.2 | 26 |

| 60 deg Aiming Angle Vertical Illuminance on Wall | | | | |
|---|--------|-----|-----|-----|
| D | FC | L | W | CB |
| 3' | 1889.8 | 0.8 | 0.6 | 1.7 |
| 4' | 1063 | 1.1 | 1 | 2.3 |
| 6' | 472.5 | 1.8 | 1.4 | 3.5 |
| 8' | 265.8 | 2.4 | 2 | 4.6 |
| 10' | 170.1 | 3.1 | 2.4 | 5.8 |

Narrow Flood (22 deg beam width), 2000 lumen

| L815SQ20NF927MB | Lumens | Watts | LPW | CCT | SC (0/90/45) |
|-----------------|---------|--------|---------|-------|--------------------|
| | 1949 Lm | 26.7 W | 73 Lm/W | 3000K | 0.39 / 0.39 / 0.39 |

| 0 Deg Aiming Angle Horizontal Illuminance on Floor | | | | |
|---|-------|-----|-----|--|
| MH | FC | L | W | |
| 5' | 363.9 | 1.8 | 1.8 | |
| 7.5' | 161.7 | 2.8 | 2.8 | |
| 10' | 91 | 3.8 | 3.8 | |
| 12.5' | 58.2 | 4.8 | 4.8 | |
| 15' | 40.4 | 5.8 | 5.8 | |

| 30 deg Aiming Angle Horizontal Illuminance on Floor | | | | |
|--|-------|-----|-----|-----|
| MH | FC | L | W | CB |
| 5' | 246.8 | 2.4 | 2.2 | 2.9 |
| 7.5' | 109.7 | 3.6 | 3.2 | 4.3 |
| 10' | 61.7 | 4.9 | 4.4 | 5.8 |
| 12.5' | 39.5 | 6 | 5.4 | 7.2 |
| 15' | 27.4 | 7.3 | 6.6 | 8.7 |

| 30 deg Aiming Angle Vertical Illuminance on Wall | | | | |
|---|-------|------|-----|------|
| D | FC | L | W | CB |
| 3' | 172.8 | 3 | 2 | 5.2 |
| 4' | 97.2 | 4.1 | 2.6 | 6.9 |
| 6' | 43.2 | 6.2 | 4 | 10.4 |
| 8' | 24.3 | 8.3 | 5.2 | 13.9 |
| 10' | 15.6 | 10.4 | 6.6 | 17.3 |

| 60 deg Aiming Angle Horizontal Illuminance on Floor | | | | |
|--|------|------|-----|------|
| MH | FC | L | W | CB |
| 5' | 62.2 | 5.2 | 3.2 | 8.7 |
| 7.5' | 27.7 | 7.8 | 5 | 13 |
| 10' | 15.6 | 10.2 | 6.6 | 17.3 |
| 12.5' | 10 | 12.5 | 8.2 | 21.7 |
| 15' | 6.9 | 14.8 | 9.8 | 26 |

| 60 deg Aiming Angle Vertical Illuminance on Wall | | | | |
|---|-------|-----|-----|-----|
| D | FC | L | W | CB |
| 3' | 685.5 | 1.4 | 1.2 | 1.7 |
| 4' | 385.6 | 1.9 | 1.6 | 2.3 |
| 6' | 171.4 | 2.9 | 2.6 | 3.5 |
| 8' | 96.4 | 3.9 | 3.4 | 4.6 |
| 10' | 61.7 | 4.9 | 4.4 | 5.8 |

Flood (37 deg beam width), 2000 lumen

| L815SQ20FL927MB | Lumens | Watts | LPW | CCT | SC (0/90/45) |
|-----------------|---------|--------|-----------|-------|--------------------|
| | 2008 Lm | 26.7 W | 75.2 Lm/W | 3000K | 0.62 / 0.62 / 0.55 |

| 0 Deg Aiming Angle Horizontal Illuminance on Floor | | | | |
|---|-------|-----|-----|--|
| MH | FC | L | W | |
| 5' | 213.6 | 3 | 3 | |
| 7.5' | 94.9 | 4.6 | 4.6 | |
| 10' | 53.4 | 6 | 6 | |
| 12.5' | 34.2 | 7.6 | 7.6 | |
| 15' | 23.7 | 9.2 | 9.2 | |

| 30 deg Aiming Angle Horizontal Illuminance on Floor | | | | |
|--|-------|------|-----|-----|
| MH | FC | L | W | CB |
| 5' | 165.3 | 3.3 | 3.2 | 2.9 |
| 7.5' | 73.4 | 5.1 | 4.8 | 4.3 |
| 10' | 41.3 | 6.7 | 6.4 | 5.8 |
| 12.5' | 26.4 | 8.4 | 8 | 7.2 |
| 15' | 18.4 | 10.2 | 9.8 | 8.7 |

| 30 deg Aiming Angle Vertical Illuminance on Wall | | | | |
|---|-------|-----|-----|------|
| D | FC | L | W | CB |
| 3' | 154.9 | 2.6 | 2.4 | 5.2 |
| 4' | 87.1 | 3.5 | 3.4 | 6.9 |
| 6' | 38.7 | 5.3 | 5 | 10.4 |
| 8' | 21.8 | 7.2 | 6.8 | 13.9 |
| 10' | 13.9 | 9 | 8.4 | 17.3 |

| 60 deg Aiming Angle Horizontal Illuminance on Floor | | | | |
|--|------|------|------|------|
| MH | FC | L | W | CB |
| 5' | 55.8 | 4.4 | 4.2 | 8.7 |
| 7.5' | 24.8 | 6.7 | 6.2 | 13 |
| 10' | 13.9 | 9 | 8.4 | 17.3 |
| 12.5' | 8.9 | 11.2 | 10.6 | 21.7 |
| 15' | 6.2 | 13.3 | 12.6 | 26 |

| 60 deg Aiming Angle Vertical Illuminance on Wall | | | | |
|---|-------|-----|-----|-----|
| D | FC | L | W | CB |
| 3' | 459 | 2 | 1.8 | 1.7 |
| 4' | 258.2 | 2.6 | 2.6 | 2.3 |
| 6' | 114.8 | 4 | 3.8 | 3.5 |
| 8' | 64.6 | 5.4 | 5.2 | 4.6 |
| 10' | 41.3 | 6.7 | 6.4 | 5.8 |

Wide Flood (60 deg beam width), 2000 lumen

| L815SQ20WF927MB | Lumens | Watts | LPW | CCT | SC (0/90/45) |
|-----------------|---------|--------|-----------|-------|--------------------|
| | 1987 Lm | 26.7 W | 74.4 Lm/W | 3000K | 0.95 / 0.95 / 0.86 |

| 0 Deg Aiming Angle Horizontal Illuminance on Floor | | | | |
|---|------|------|------|--|
| MH | FC | L | W | |
| 5' | 90.3 | 4.6 | 4.6 | |
| 7.5' | 40.1 | 7 | 7 | |
| 10' | 22.6 | 9.4 | 9.4 | |
| 12.5' | 14.4 | 11.8 | 11.8 | |
| 15' | 10 | 14.2 | 14.2 | |

| 30 deg Aiming Angle Horizontal Illuminance on Floor | | | | |
|--|------|------|------|-----|
| MH | FC | L | W | CB |
| 5' | 78.5 | 4.2 | 4.6 | 2.9 |
| 7.5' | 34.9 | 6.4 | 7 | 4.3 |
| 10' | 19.6 | 8.5 | 9.4 | 5.8 |
| 12.5' | 12.6 | 10.8 | 11.8 | 7.2 |
| 15' | 8.7 | 12.9 | 14 | 8.7 |

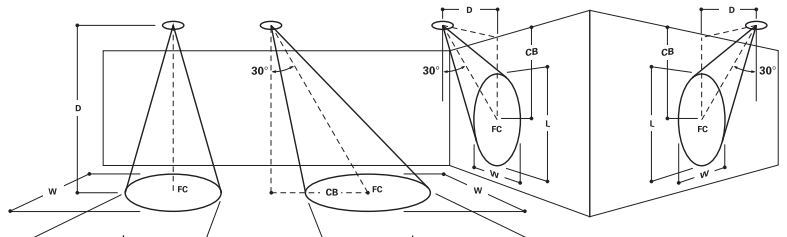
| 30 deg Aiming Angle Vertical Illuminance on Wall | | | | |
|---|------|-----|------|------|
| D | FC | L | W | CB |
| 3' | 100 | 2.5 | 3 | 5.2 |
| 4' | 56.3 | 3.4 | 4.2 | 6.9 |
| 6' | 25 | 5.2 | 6.4 | 10.4 |
| 8' | 14.1 | 7 | 8.4 | 13.9 |
| 10' | 9 | 8.8 | 10.6 | 17.3 |

| 60 deg Aiming Angle Horizontal Illuminance on Floor | | | | |
|--|-----|------|------|------|
| MH | FC | L | W | CB |
| 5' | 36 | 4.3 | 5.2 | 8.7 |
| 7.5' | 16 | 6.6 | 7.8 | 13 |
| 10' | 9 | 8.7 | 10 | 17.3 |
| 12.5' | 5.8 | 10.8 | 12.2 | 21.7 |
| 15' | 4 | 12.9 | 14.4 | 26 |

| 60 deg Aiming Angle Vertical Illuminance on Wall | | | | |
|---|-------|-----|-----|-----|
| D | FC | L | W | CB |
| 3' | 218 | 2.5 | 2.8 | 1.7 |
| 4' | 122.6 | 3.4 | 3.6 | 2.3 |
| 6' | 54.5 | 5.1 | 5.6 | 3.5 |
| 8' | 30.7 | 6.8 | 7.4 | 4.6 |
| 10' | 19.6 | 8.5 | 9.4 | 5.8 |

Notes and Definitions:

Beam spread is to 50% center beam candlepower (CBCP)
 D=Distance in feet to floor or wall.
 FC=Footcandles on floor or wall at center beam aiming location.
 L=Effective Visual Beam length in feet (50% of maximum footcandle level.)
 W=Effective Visual Beam width in feet (50% of maximum footcandle level.)
 CB=Distance in feet across or down to center beam location.



Note: Refer to IES files for more product data.

Photometric Data

 [View IES files](#)

Spot (15 deg beam width), 3000 lumen

| L815SQ30SP927MB | Lumens | Watts | LPW | CCT | SC (0/90/45) |
|-----------------|---------|-------|-----------|-------|--------------------|
| | 2799 Lm | 34 W | 82.3 Lm/W | 3000K | 0.22 / 0.22 / 0.24 |

| 0 Deg Aiming Angle Horizontal Illuminance on Floor | | | | |
|---|--------|-----|-----|--|
| MH | FC | L | W | |
| 5' | 1270.3 | 1 | 1 | |
| 7.5' | 564.6 | 1.6 | 1.6 | |
| 10' | 317.6 | 2.2 | 2.2 | |
| 12.5' | 203.2 | 2.6 | 2.6 | |
| 15' | 141.1 | 3.2 | 3.2 | |

| 30 deg Aiming Angle Horizontal Illuminance on Floor | | | | |
|--|-------|-----|-----|-----|
| MH | FC | L | W | CB |
| 5' | 831.6 | 1.3 | 1.2 | 2.9 |
| 7.5' | 369.6 | 2.1 | 1.8 | 4.3 |
| 10' | 207.9 | 2.8 | 2.4 | 5.8 |
| 12.5' | 133.1 | 3.5 | 3.2 | 7.2 |
| 15' | 92.4 | 4.3 | 3.8 | 8.7 |

| 30 deg Aiming Angle Vertical Illuminance on Wall | | | | |
|---|-------|-----|-----|------|
| D | FC | L | W | CB |
| 3' | 482.9 | 2.3 | 1.2 | 5.2 |
| 4' | 271.6 | 3 | 1.6 | 6.9 |
| 6' | 120.7 | 4.7 | 2.4 | 10.4 |
| 8' | 67.9 | 6.2 | 3.4 | 13.9 |
| 10' | 43.5 | 7.8 | 4.2 | 17.3 |

| 60 deg Aiming Angle Horizontal Illuminance on Floor | | | | |
|--|-------|------|-----|------|
| MH | FC | L | W | CB |
| 5' | 173.8 | 3.8 | 2 | 8.7 |
| 7.5' | 77.3 | 5.8 | 3.2 | 13 |
| 10' | 43.5 | 7.8 | 4.2 | 17.3 |
| 12.5' | 27.8 | 9.6 | 5.2 | 21.7 |
| 15' | 19.3 | 11.4 | 6.4 | 26 |

| 60 deg Aiming Angle Vertical Illuminance on Wall | | | | |
|---|--------|-----|-----|-----|
| D | FC | L | W | CB |
| 3' | 2309.9 | 0.8 | 0.6 | 1.7 |
| 4' | 1299.3 | 1.1 | 1 | 2.3 |
| 6' | 577.5 | 1.6 | 1.4 | 3.5 |
| 8' | 324.8 | 2.2 | 2 | 4.6 |
| 10' | 207.9 | 2.8 | 2.4 | 5.8 |

Narrow Flood (22 deg beam width), 3000 lumen

| L815SQ30NF927MB | Lumens | Watts | LPW | CCT | SC (0/90/45) |
|-----------------|---------|-------|-----------|-------|--------------------|
| | 2806 Lm | 34 W | 82.5 Lm/W | 3000K | 0.34 / 0.34 / 0.33 |

| 0 Deg Aiming Angle Horizontal Illuminance on Floor | | | | |
|---|-------|-----|-----|--|
| MH | FC | L | W | |
| 5' | 786 | 1.6 | 1.6 | |
| 7.5' | 349.3 | 2.4 | 2.4 | |
| 10' | 196.5 | 3.2 | 3.2 | |
| 12.5' | 125.8 | 4.2 | 4.2 | |
| 15' | 87.3 | 5 | 5 | |

| 30 deg Aiming Angle Horizontal Illuminance on Floor | | | | |
|--|-------|-----|-----|-----|
| MH | FC | L | W | CB |
| 5' | 528.4 | 2 | 1.8 | 2.9 |
| 7.5' | 234.9 | 3.1 | 2.8 | 4.3 |
| 10' | 132.1 | 4.1 | 3.8 | 5.8 |
| 12.5' | 84.5 | 5.3 | 4.6 | 7.2 |
| 15' | 58.7 | 6.3 | 5.6 | 8.7 |

| 30 deg Aiming Angle Vertical Illuminance on Wall | | | | |
|---|-------|-----|-----|------|
| D | FC | L | W | CB |
| 3' | 351.9 | 2.8 | 1.6 | 5.2 |
| 4' | 197.9 | 3.7 | 2.2 | 6.9 |
| 6' | 88 | 5.6 | 3.4 | 10.4 |
| 8' | 49.5 | 7.6 | 4.6 | 13.9 |
| 10' | 31.7 | 9.5 | 5.8 | 17.3 |

| 60 deg Aiming Angle Horizontal Illuminance on Floor | | | | |
|--|-------|------|-----|------|
| MH | FC | L | W | CB |
| 5' | 126.7 | 4.7 | 2.8 | 8.7 |
| 7.5' | 56.3 | 6.9 | 4.4 | 13 |
| 10' | 31.7 | 9.1 | 5.8 | 17.3 |
| 12.5' | 20.3 | 11.3 | 7.4 | 21.7 |
| 15' | 14.1 | 13.4 | 8.8 | 26 |

| 60 deg Aiming Angle Vertical Illuminance on Wall | | | | |
|---|--------|-----|-----|-----|
| D | FC | L | W | CB |
| 3' | 1467.8 | 1.2 | 1 | 1.7 |
| 4' | 825.7 | 1.6 | 1.4 | 2.3 |
| 6' | 367 | 2.5 | 2.2 | 3.5 |
| 8' | 206.4 | 3.3 | 3 | 4.6 |
| 10' | 132.1 | 4.1 | 3.8 | 5.8 |

Flood (37 deg beam width), 3000 lumen

| L815SQ30FL927MB | Lumens | Watts | LPW | CCT | SC (0/90/45) |
|-----------------|---------|-------|-----------|-------|-------------------|
| | 2738 Lm | 34 W | 80.5 Lm/W | 3000K | 0.59 / 0.6 / 0.56 |

| 0 Deg Aiming Angle Horizontal Illuminance on Floor | | | | |
|---|-------|-----|-----|--|
| MH | FC | L | W | |
| 5' | 288.5 | 2.8 | 2.8 | |
| 7.5' | 128.2 | 4.4 | 4.4 | |
| 10' | 72.1 | 5.8 | 5.8 | |
| 12.5' | 46.2 | 7.4 | 7.4 | |
| 15' | 32.1 | 8.8 | 8.8 | |

| 30 deg Aiming Angle Horizontal Illuminance on Floor | | | | |
|--|-------|------|-----|-----|
| MH | FC | L | W | CB |
| 5' | 209.4 | 3.3 | 3.2 | 2.9 |
| 7.5' | 93.1 | 5 | 4.8 | 4.3 |
| 10' | 52.3 | 6.7 | 6.4 | 5.8 |
| 12.5' | 33.5 | 8.5 | 8 | 7.2 |
| 15' | 23.3 | 10.1 | 9.6 | 8.7 |

| 30 deg Aiming Angle Vertical Illuminance on Wall | | | | |
|---|-------|------|-----|------|
| D | FC | L | W | CB |
| 3' | 189.9 | 3 | 2.4 | 5.2 |
| 4' | 106.8 | 4 | 3.4 | 6.9 |
| 6' | 47.5 | 6.1 | 5 | 10.4 |
| 8' | 26.7 | 8.1 | 6.8 | 13.9 |
| 10' | 17.1 | 10.2 | 8.4 | 17.3 |

| 60 deg Aiming Angle Horizontal Illuminance on Floor | | | | |
|--|------|------|------|------|
| MH | FC | L | W | CB |
| 5' | 68.4 | 5 | 4.2 | 8.7 |
| 7.5' | 30.4 | 7.6 | 6.4 | 13 |
| 10' | 17.1 | 10.2 | 8.4 | 17.3 |
| 12.5' | 10.9 | 12.7 | 10.6 | 21.7 |
| 15' | 7.6 | 15.3 | 12.8 | 26 |

| 60 deg Aiming Angle Vertical Illuminance on Wall | | | | |
|---|-------|-----|-----|-----|
| D | FC | L | W | CB |
| 3' | 581.6 | 1.9 | 1.8 | 1.7 |
| 4' | 327.1 | 2.6 | 2.4 | 2.3 |
| 6' | 145.4 | 4 | 3.8 | 3.5 |
| 8' | 81.8 | 5.3 | 5 | 4.6 |
| 10' | 52.3 | 6.7 | 6.4 | 5.8 |

Wide Flood (60 deg beam width), 3000 lumen

| L815SQ30WF927MB | Lumens | Watts | LPW | CCT | SC (0/90/45) |
|-----------------|---------|-------|-----------|-------|--------------------|
| | 2647 Lm | 34 W | 77.9 Lm/W | 3000K | 0.97 / 0.97 / 0.89 |

| 0 Deg Aiming Angle Horizontal Illuminance on Floor | | | | |
|---|-------|------|------|--|
| MH | FC | L | W | |
| 5' | 112.9 | 4.8 | 4.8 | |
| 7.5' | 50.2 | 7.2 | 7.2 | |
| 10' | 28.2 | 9.6 | 9.6 | |
| 12.5' | 18.1 | 12 | 12 | |
| 15' | 12.5 | 14.6 | 14.4 | |

| 30 deg Aiming Angle Horizontal Illuminance on Floor | | | | |
|--|------|------|------|-----|
| MH | FC | L | W | CB |
| 5' | 97.1 | 4.4 | 4.8 | 2.9 |
| 7.5' | 43.2 | 6.6 | 7.2 | 4.3 |
| 10' | 24.3 | 8.8 | 9.6 | 5.8 |
| 12.5' | 15.5 | 11 | 12 | 7.2 |
| 15' | 10.8 | 13.3 | 14.4 | 8.7 |

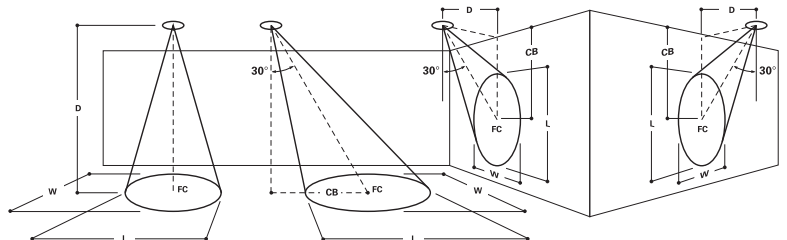
| 30 deg Aiming Angle Vertical Illuminance on Wall | | | | |
|---|-------|-----|------|------|
| D | FC | L | W | CB |
| 3' | 127.8 | 2.7 | 3.2 | 5.2 |
| 4' | 71.9 | 3.5 | 4.2 | 6.9 |
| 6' | 32 | 5.4 | 6.4 | 10.4 |
| 8' | 18 | 7.2 | 8.4 | 13.9 |
| 10' | 11.5 | 9.1 | 10.6 | 17.3 |

| 60 deg Aiming Angle Horizontal Illuminance on Floor | | | | |
|--|------|------|------|------|
| MH | FC | L | W | CB |
| 5' | 46 | 4.5 | 5.2 | 8.7 |
| 7.5' | 20.5 | 6.8 | 8 | 13 |
| 10' | 11.5 | 9.1 | 10.6 | 17.3 |
| 12.5' | 7.4 | 11.3 | 13 | 21.7 |
| 15' | 5.1 | 13.6 | 15.4 | 26 |

| 60 deg Aiming Angle Vertical Illuminance on Wall | | | | |
|---|-------|-----|-----|-----|
| D | FC | L | W | CB |
| 3' | 269.8 | 2.5 | 2.8 | 1.7 |
| 4' | 151.7 | 3.4 | 3.8 | 2.3 |
| 6' | 67.4 | 5.1 | 5.8 | 3.5 |
| 8' | 37.9 | 6.8 | 7.6 | 4.6 |
| 10' | 24.3 | 8.6 | 9.6 | 5.8 |

Notes and Definitions:

Beam spread is to 50% center beam candlepower (CBCP)
 D=Distance in feet to floor or wall.
 FC=Footcandles on floor or wall at center beam aiming location.
 L=Effective Visual Beam length in feet (50% of maximum footcandle level.)
 W=Effective Visual Beam width in feet (50% of maximum footcandle level.)
 CB=Distance in feet across or down to center beam location.



Note: Refer to IES files for more product data.

Photometric Data

 [View IES files](#)

Spot (15 deg beam width), 4000 lumen

| L815SQ40SP927MB | Lumens | Watts | LPW | CCT | SC (0/90/45) |
|-----------------|---------|-------|-----------|-------|--------------------|
| | 3877 Lm | 52 W | 74.6 Lm/W | 3000K | 0.22 / 0.22 / 0.24 |

| 0 Deg Aiming Angle Horizontal Illuminance on Floor | | | | |
|---|--------|-----|-----|--|
| MH | FC | L | W | |
| 5' | 1759.6 | 1 | 1 | |
| 7.5' | 782.1 | 1.6 | 1.6 | |
| 10' | 439.9 | 2.2 | 2.2 | |
| 12.5' | 281.5 | 2.6 | 2.6 | |
| 15' | 195.5 | 3.2 | 3.2 | |

| 30 deg Aiming Angle Horizontal Illuminance on Floor | | | | |
|--|--------|-----|-----|-----|
| MH | FC | L | W | CB |
| 5' | 1151.9 | 1.3 | 1.2 | 2.9 |
| 7.5' | 512 | 2.1 | 1.8 | 4.3 |
| 10' | 288 | 2.8 | 2.4 | 5.8 |
| 12.5' | 184.3 | 3.5 | 3.2 | 7.2 |
| 15' | 128 | 4.3 | 3.8 | 8.7 |

| 30 deg Aiming Angle Vertical Illuminance on Wall | | | | |
|---|-------|-----|-----|------|
| D | FC | L | W | CB |
| 3' | 668.9 | 2.3 | 1.2 | 5.2 |
| 4' | 376.3 | 3 | 1.6 | 6.9 |
| 6' | 167.2 | 4.7 | 2.4 | 10.4 |
| 8' | 94.1 | 6.2 | 3.4 | 13.9 |
| 10' | 60.2 | 7.8 | 4.2 | 17.3 |

| 60 deg Aiming Angle Horizontal Illuminance on Floor | | | | |
|--|-------|------|-----|------|
| MH | FC | L | W | CB |
| 5' | 240.8 | 3.8 | 2 | 8.7 |
| 7.5' | 107 | 5.8 | 3.2 | 13 |
| 10' | 60.2 | 7.8 | 4.2 | 17.3 |
| 12.5' | 38.5 | 9.6 | 5.2 | 21.7 |
| 15' | 26.8 | 11.4 | 6.4 | 26 |

| 60 deg Aiming Angle Vertical Illuminance on Wall | | | | |
|---|--------|-----|-----|-----|
| D | FC | L | W | CB |
| 3' | 3199.8 | 0.8 | 0.6 | 1.7 |
| 4' | 1799.9 | 1.1 | 1 | 2.3 |
| 6' | 800 | 1.6 | 1.4 | 3.5 |
| 8' | 450 | 2.2 | 2 | 4.6 |
| 10' | 288 | 2.8 | 2.4 | 5.8 |

Narrow Flood (22 deg beam width), 4000 lumen

| L815SQ40NF927MB | Lumens | Watts | LPW | CCT | SC (0/90/45) |
|-----------------|---------|-------|-----------|-------|--------------------|
| | 3886 Lm | 52 W | 74.7 Lm/W | 3000K | 0.34 / 0.34 / 0.33 |

| 0 Deg Aiming Angle Horizontal Illuminance on Floor | | | | |
|---|--------|-----|-----|--|
| MH | FC | L | W | |
| 5' | 1088.8 | 1.6 | 1.6 | |
| 7.5' | 483.9 | 2.4 | 2.4 | |
| 10' | 272.2 | 3.2 | 3.2 | |
| 12.5' | 174.2 | 4.2 | 4.2 | |
| 15' | 121 | 5 | 5 | |

| 30 deg Aiming Angle Horizontal Illuminance on Floor | | | | |
|--|-------|-----|-----|-----|
| MH | FC | L | W | CB |
| 5' | 732 | 2 | 1.8 | 2.9 |
| 7.5' | 325.3 | 3.1 | 2.8 | 4.3 |
| 10' | 183 | 4.1 | 3.8 | 5.8 |
| 12.5' | 117.1 | 5.3 | 4.6 | 7.2 |
| 15' | 81.3 | 6.3 | 5.6 | 8.7 |

| 30 deg Aiming Angle Vertical Illuminance on Wall | | | | |
|---|-------|-----|-----|------|
| D | FC | L | W | CB |
| 3' | 487.4 | 2.8 | 1.6 | 5.2 |
| 4' | 274.2 | 3.7 | 2.2 | 6.9 |
| 6' | 121.8 | 5.6 | 3.4 | 10.4 |
| 8' | 68.5 | 7.6 | 4.6 | 13.9 |
| 10' | 43.9 | 9.5 | 5.8 | 17.3 |

| 60 deg Aiming Angle Horizontal Illuminance on Floor | | | | |
|--|-------|------|-----|------|
| MH | FC | L | W | CB |
| 5' | 175.5 | 4.7 | 2.8 | 8.7 |
| 7.5' | 78 | 6.9 | 4.4 | 13 |
| 10' | 43.9 | 9.1 | 5.8 | 17.3 |
| 12.5' | 28.1 | 11.3 | 7.4 | 21.7 |
| 15' | 19.5 | 13.4 | 8.8 | 26 |

| 60 deg Aiming Angle Vertical Illuminance on Wall | | | | |
|---|--------|-----|-----|-----|
| D | FC | L | W | CB |
| 3' | 2033.2 | 1.2 | 1 | 1.7 |
| 4' | 1143.7 | 1.6 | 1.4 | 2.3 |
| 6' | 508.3 | 2.5 | 2.2 | 3.5 |
| 8' | 285.9 | 3.3 | 3 | 4.6 |
| 10' | 183 | 4.1 | 3.8 | 5.8 |

Flood (37 deg beam width), 4000 lumen

| L815SQ40FL927MB | Lumens | Watts | LPW | CCT | SC (0/90/45) |
|-----------------|---------|-------|-----------|-------|-------------------|
| | 3792 Lm | 52 W | 72.9 Lm/W | 3000K | 0.59 / 0.6 / 0.56 |

| 0 Deg Aiming Angle Horizontal Illuminance on Floor | | | | |
|---|-------|-----|-----|--|
| MH | FC | L | W | |
| 5' | 399.6 | 2.8 | 2.8 | |
| 7.5' | 177.6 | 4.4 | 4.4 | |
| 10' | 99.9 | 5.8 | 5.8 | |
| 12.5' | 63.9 | 7.4 | 7.4 | |
| 15' | 44.4 | 8.8 | 8.8 | |

| 30 deg Aiming Angle Horizontal Illuminance on Floor | | | | |
|--|-------|------|-----|-----|
| MH | FC | L | W | CB |
| 5' | 290 | 3.3 | 3.2 | 2.9 |
| 7.5' | 128.9 | 5 | 4.8 | 4.3 |
| 10' | 72.5 | 6.7 | 6.4 | 5.8 |
| 12.5' | 46.4 | 8.5 | 8 | 7.2 |
| 15' | 32.2 | 10.1 | 9.6 | 8.7 |

| 30 deg Aiming Angle Vertical Illuminance on Wall | | | | |
|---|-------|------|-----|------|
| D | FC | L | W | CB |
| 3' | 263.1 | 3 | 2.4 | 5.2 |
| 4' | 148 | 4 | 3.4 | 6.9 |
| 6' | 65.8 | 6.1 | 5 | 10.4 |
| 8' | 37 | 8.1 | 6.8 | 13.9 |
| 10' | 23.7 | 10.2 | 8.4 | 17.3 |

| 60 deg Aiming Angle Horizontal Illuminance on Floor | | | | |
|--|------|------|------|------|
| MH | FC | L | W | CB |
| 5' | 94.7 | 5 | 4.2 | 8.7 |
| 7.5' | 42.1 | 7.6 | 6.4 | 13 |
| 10' | 23.7 | 10.2 | 8.4 | 17.3 |
| 12.5' | 15.2 | 12.7 | 10.6 | 21.7 |
| 15' | 10.5 | 15.3 | 12.8 | 26 |

| 60 deg Aiming Angle Vertical Illuminance on Wall | | | | |
|---|-------|-----|-----|-----|
| D | FC | L | W | CB |
| 3' | 805.6 | 1.9 | 1.8 | 1.7 |
| 4' | 453.2 | 2.6 | 2.4 | 2.3 |
| 6' | 201.4 | 4 | 3.8 | 3.5 |
| 8' | 113.3 | 5.3 | 5 | 4.6 |
| 10' | 72.5 | 6.7 | 6.4 | 5.8 |

Wide Flood (60 deg beam width), 4000 lumen

| L815SQ40WF927MB | Lumens | Watts | LPW | CCT | SC (0/90/45) |
|-----------------|---------|-------|-----------|-------|--------------------|
| | 3667 Lm | 52 W | 70.5 Lm/W | 3000K | 0.97 / 0.97 / 0.89 |

| 0 Deg Aiming Angle Horizontal Illuminance on Floor | | | | |
|---|-------|------|------|--|
| MH | FC | L | W | |
| 5' | 156.4 | 4.8 | 4.8 | |
| 7.5' | 69.5 | 7.2 | 7.2 | |
| 10' | 39.1 | 9.6 | 9.6 | |
| 12.5' | 25 | 12 | 12 | |
| 15' | 17.4 | 14.6 | 14.4 | |

| 30 deg Aiming Angle Horizontal Illuminance on Floor | | | | |
|--|-------|------|------|-----|
| MH | FC | L | W | CB |
| 5' | 134.5 | 4.4 | 4.8 | 2.9 |
| 7.5' | 59.8 | 6.6 | 7.2 | 4.3 |
| 10' | 33.6 | 8.8 | 9.6 | 5.8 |
| 12.5' | 21.5 | 11 | 12 | 7.2 |
| 15' | 14.9 | 13.3 | 14.4 | 8.7 |

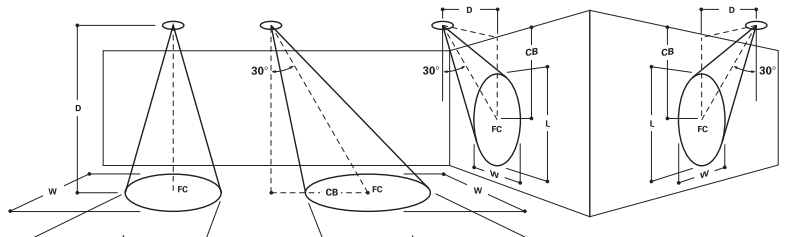
| 30 deg Aiming Angle Vertical Illuminance on Wall | | | | |
|---|-------|-----|------|------|
| D | FC | L | W | CB |
| 3' | 177.1 | 2.7 | 3.2 | 5.2 |
| 4' | 99.6 | 3.5 | 4.2 | 6.9 |
| 6' | 44.3 | 5.4 | 6.4 | 10.4 |
| 8' | 24.9 | 7.2 | 8.4 | 13.9 |
| 10' | 15.9 | 9.1 | 10.6 | 17.3 |

| 60 deg Aiming Angle Horizontal Illuminance on Floor | | | | |
|--|------|------|------|------|
| MH | FC | L | W | CB |
| 5' | 63.7 | 4.5 | 5.2 | 8.7 |
| 7.5' | 28.3 | 6.8 | 8 | 13 |
| 10' | 15.9 | 9.1 | 10.6 | 17.3 |
| 12.5' | 10.2 | 11.3 | 13 | 21.7 |
| 15' | 7.1 | 13.6 | 15.4 | 26 |

| 60 deg Aiming Angle Vertical Illuminance on Wall | | | | |
|---|-------|-----|-----|-----|
| D | FC | L | W | CB |
| 3' | 373.7 | 2.5 | 2.8 | 1.7 |
| 4' | 210.2 | 3.4 | 3.8 | 2.3 |
| 6' | 93.4 | 5.1 | 5.8 | 3.5 |
| 8' | 52.6 | 6.8 | 7.6 | 4.6 |
| 10' | 33.6 | 8.6 | 9.6 | 5.8 |

Notes and Definitions:

Beam spread is to 50% center beam candlepower (CBCP)
 D=Distance in feet to floor or wall.
 FC=Footcandles on floor or wall at center beam aiming location.
 L=Effective Visual Beam length in feet (50% of maximum footcandle level.)
 W=Effective Visual Beam width in feet (50% of maximum footcandle level.)
 CB=Distance in feet across or down to center beam location.



Note: Refer to IES files for more product data.

Photometric Data

 [View IES files](#)

Wall Wash, 1000 lumen

| | | | | | | |
|-----------------|--------|--------|--------------|--------------------|-----|-----------|
| L815SQ10WW927MB | Lumens | 967 Lm | Watts | 34 W | LPW | 28.4 Lm/W |
| | CCT | 3000K | SC (0/90/45) | 0.56 / 0.82 / 0.73 | | |
| | | | | | | |

| Single Unit Footcandles 2.5' from wall (distance from fixture along wall) | | | | | | | |
|--|-----|-----|-----|-----|-----|-----|-----|
| DD | 0 | 1 | 2 | 3 | 4 | 5 | 6 |
| 1' | 2.4 | 1.6 | 0.6 | 0.2 | 0 | 0 | 0 |
| 2' | 6.8 | 5.5 | 2.8 | 1 | 0.3 | 0.1 | 0.1 |
| 3' | 8 | 7 | 4.3 | 2 | 0.8 | 0.3 | 0.2 |
| 4' | 6.9 | 6.3 | 4.6 | 2.6 | 1.2 | 0.5 | 0.2 |
| 5' | 5.5 | 5.1 | 4.1 | 2.7 | 1.5 | 0.7 | 0.3 |
| 6' | 4.3 | 4.1 | 3.5 | 2.5 | 1.6 | 0.9 | 0.5 |
| 8' | 2.7 | 2.6 | 2.4 | 1.9 | 1.4 | 1 | 0.6 |
| 10' | 1.7 | 1.7 | 1.6 | 1.4 | 1.1 | 0.8 | 0.6 |

| Multiple Unit Footcandles 2.5' from wall (spacing between fixtures) | | | | | | |
|--|------|-----|---|-----|-----|-----|
| • | 3 | • | • | 4 | • | |
| 2.6 | 2.1 | 2.6 | | 2.5 | 1.1 | 2.5 |
| 7.8 | 8.3 | 7.8 | | 7.2 | 5.6 | 7.2 |
| 10 | 11.5 | 10 | | 8.8 | 8.7 | 8.8 |
| 9.4 | 11.1 | 9.4 | | 8.1 | 9.2 | 8.1 |
| 8.2 | 9.5 | 8.2 | | 6.9 | 8.3 | 6.9 |
| 6.8 | 7.7 | 6.8 | | 5.9 | 7 | 5.9 |
| 4.6 | 5 | 4.6 | | 4.1 | 4.7 | 4.1 |
| 3.1 | 3.3 | 3.1 | | 2.8 | 3.1 | 2.8 |

Wall Wash, 2000 lumen

| | | | | | | |
|-----------------|--------|---------|--------------|--------------------|-----|-----------|
| L815SQ20WW927MB | Lumens | 1773 Lm | Watts | 52 W | LPW | 34.1 Lm/W |
| | CCT | 3000K | SC (0/90/45) | 0.56 / 0.82 / 0.73 | | |
| | | | | | | |

| Single Unit Footcandles 2.5' from wall (distance from fixture along wall) | | | | | | | |
|--|------|------|-----|-----|-----|-----|-----|
| DD | 0 | 1 | 2 | 3 | 4 | 5 | 6 |
| 1' | 4.4 | 3 | 1 | 0.3 | 0.1 | 0 | 0 |
| 2' | 12.5 | 10.1 | 5.1 | 1.8 | 0.6 | 0.3 | 0.1 |
| 3' | 14.7 | 12.7 | 8 | 3.7 | 1.4 | 0.6 | 0.3 |
| 4' | 12.6 | 11.5 | 8.4 | 4.7 | 2.1 | 0.9 | 0.4 |
| 5' | 10 | 9.4 | 7.6 | 4.9 | 2.7 | 1.3 | 0.6 |
| 6' | 7.9 | 7.4 | 6.4 | 4.6 | 2.9 | 1.6 | 0.9 |
| 8' | 4.9 | 4.7 | 4.3 | 3.5 | 2.6 | 1.8 | 1.1 |
| 10' | 3.1 | 3 | 2.9 | 2.5 | 2 | 1.6 | 1.1 |

| Multiple Unit Footcandles 2.5' from wall (spacing between fixtures) | | | | | | |
|--|------|------|---|------|------|------|
| • | 3 | • | • | 4 | • | |
| 4.7 | 3.8 | 4.7 | | 4.5 | 2.1 | 4.5 |
| 14.4 | 15.1 | 14.4 | | 13.2 | 10.3 | 13.2 |
| 18.4 | 21 | 18.4 | | 16.2 | 15.9 | 16.2 |
| 17.3 | 20.4 | 17.3 | | 14.8 | 16.9 | 14.8 |
| 15 | 17.4 | 15 | | 12.7 | 15.1 | 12.7 |
| 12.5 | 14.2 | 12.5 | | 10.8 | 12.8 | 10.8 |
| 8.4 | 9.2 | 8.4 | | 7.5 | 8.6 | 7.5 |
| 5.6 | 6 | 5.6 | | 5.1 | 5.8 | 5.1 |

Wall Wash, 3000 lumen

| | | | | | | |
|-----------------|--------|---------|--------------|--------------------|-----|-----------|
| L815SQ30WW927MB | Lumens | 2386 Lm | Watts | 34 W | LPW | 70.2 Lm/W |
| | CCT | 3000K | SC (0/90/45) | 0.66 / 0.79 / 0.76 | | |
| | | | | | | |

| Single Unit Footcandles 2.5' from wall (distance from fixture along wall) | | | | | | | |
|--|------|------|------|-----|-----|-----|-----|
| DD | 0 | 1 | 2 | 3 | 4 | 5 | 6 |
| 1' | 5.7 | 3.9 | 1.6 | 0.5 | 0.2 | 0 | 0 |
| 2' | 16.4 | 13.8 | 6.9 | 2.8 | 1 | 0.4 | 0.2 |
| 3' | 18.3 | 16.6 | 10 | 4.8 | 2.2 | 1 | 0.5 |
| 4' | 18.6 | 17.4 | 11.6 | 6.1 | 3 | 1.5 | 0.8 |
| 5' | 15.9 | 15 | 11.2 | 6.7 | 3.6 | 1.9 | 1.1 |
| 6' | 12.5 | 11.8 | 9.5 | 6.4 | 3.8 | 2.2 | 1.3 |
| 8' | 7.5 | 7.1 | 6.3 | 4.9 | 3.5 | 2.3 | 1.5 |
| 10' | 4.6 | 4.5 | 4.1 | 3.5 | 2.8 | 2 | 1.4 |

| Multiple Unit Footcandles 2.5' from wall (spacing between fixtures) | | | | | | |
|--|------|------|---|------|------|------|
| • | 3 | • | • | 4 | • | |
| 6.2 | 5.3 | 6.2 | | 5.9 | 3.2 | 5.9 |
| 19.1 | 20.2 | 19.1 | | 17.4 | 13.8 | 17.4 |
| 23.1 | 27.1 | 23.1 | | 20.5 | 20 | 20.5 |
| 24.7 | 29.3 | 24.7 | | 21.6 | 23.2 | 21.6 |
| 22.6 | 26.6 | 22.6 | | 19.5 | 22.4 | 19.5 |
| 18.9 | 21.7 | 18.9 | | 16.3 | 19.1 | 16.3 |
| 12.4 | 13.6 | 12.4 | | 11 | 12.6 | 11 |
| 8.1 | 8.6 | 8.1 | | 7.4 | 8.1 | 7.4 |

Wall Wash, 4000 lumen

| | | | | | | |
|-----------------|--------|---------|--------------|--------------------|-----|-----------|
| L815SQ40WW927MB | Lumens | 3305 Lm | Watts | 52 W | LPW | 63.6 Lm/W |
| | CCT | 3000K | SC (0/90/45) | 0.66 / 0.79 / 0.76 | | |
| | | | | | | |

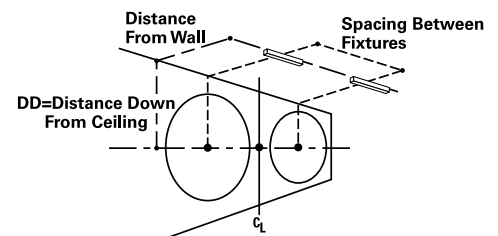
| Single Unit Footcandles 2.5' from wall (distance from fixture along wall) | | | | | | | |
|--|------|------|------|-----|-----|-----|-----|
| DD | 0 | 1 | 2 | 3 | 4 | 5 | 6 |
| 1' | 7.9 | 5.5 | 2.2 | 0.7 | 0.2 | 0.1 | 0 |
| 2' | 22.7 | 19.1 | 9.6 | 3.8 | 1.4 | 0.6 | 0.3 |
| 3' | 25.4 | 23 | 13.9 | 6.6 | 3 | 1.4 | 0.6 |
| 4' | 25.7 | 24.2 | 16.1 | 8.5 | 4.2 | 2.1 | 1.1 |
| 5' | 22 | 20.7 | 15.5 | 9.3 | 5 | 2.7 | 1.5 |
| 6' | 17.3 | 16.3 | 13.2 | 8.9 | 5.3 | 3 | 1.8 |
| 8' | 10.4 | 9.9 | 8.7 | 6.9 | 4.8 | 3.1 | 2 |
| 10' | 6.4 | 6.2 | 5.6 | 4.8 | 3.8 | 2.8 | 1.9 |

| Multiple Unit Footcandles 2.5' from wall (spacing between fixtures) | | | | | | |
|--|------|------|---|------|------|------|
| • | 3 | • | • | 4 | • | |
| 8.6 | 7.4 | 8.6 | | 8.1 | 4.4 | 8.1 |
| 26.5 | 28 | 26.5 | | 24.1 | 19.1 | 24.1 |
| 32 | 37.5 | 32 | | 28.4 | 27.8 | 28.4 |
| 34.2 | 40.6 | 34.2 | | 29.9 | 32.2 | 29.9 |
| 31.3 | 36.8 | 31.3 | | 27 | 31 | 27 |
| 26.2 | 30.1 | 26.2 | | 22.5 | 26.4 | 22.5 |
| 17.2 | 18.8 | 17.2 | | 15.2 | 17.4 | 15.2 |
| 11.2 | 11.9 | 11.2 | | 10.2 | 11.2 | 10.2 |

Notes

- Illuminance values for multiple fixtures are based upon the center two units of a four unit array. Footcandle values are center line of fixtures and centered between fixtures. 1 footcandle = 10.76 lux. 1 foot(°) = 304.8mm.
- Illuminance values are cosine corrected initial value with no contribution from inter reflections from other room surfaces. Total illumination may increase from contributions from other surfaces.
- Changing fixture spacing will affect illuminance level.

| | | |
|------------------|---|------------------------|
| Existing Spacing | x | Average Table Fc Level |
| New Spacing | | |
- 39W Multiplier = .5



Note: Refer to IES files for more product data.