

Catalog #		Date		Prepared by	
Project		Type		Notes	



## HALO

### L815 Stasis Medium

With sleek, simple geometric profiles and high-performance optics, and a full range of beam angles in 3 different sizes, Stasis provides just the right accent to any high-end application.

#### Typical Applications

Education • Hospitality • Retail

#### Interactive Menu

- Order Information page 3
- Photometric Data page 4
- Product Warranty

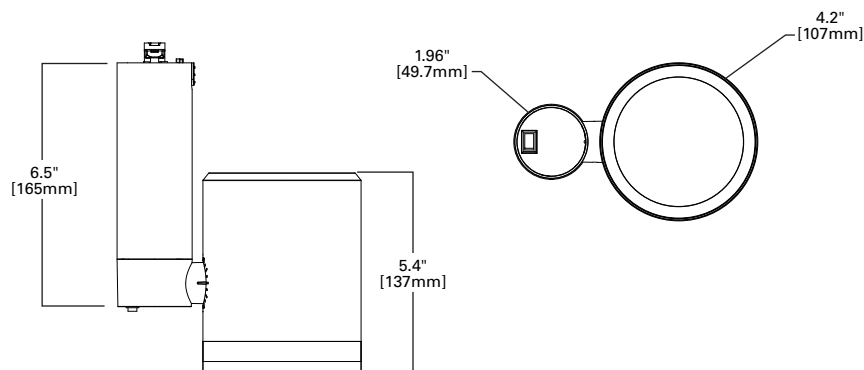
#### Product Certification



#### Top Product Features

- Interchangeable, wide selection of beam patterns that meets any accent lighting application.
- Sleek cylindrical design
- Low-Glare chip-on-board optics

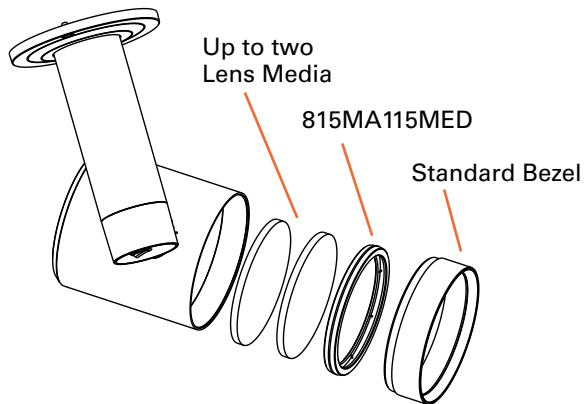
#### Dimensional and Mounting Details



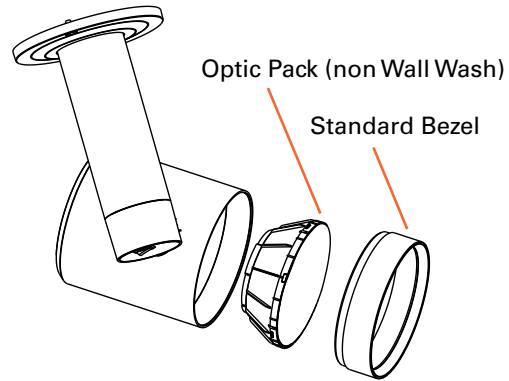
## Stasis Accessory Diagram

Stasis comes with several accessories to customize lighting environments. Achieve more cutoff with a snoot, change out an optic on an existing install, or add more media capability with the media holder. Stasis provides an array of avenues for lighting designers to create unique accents.

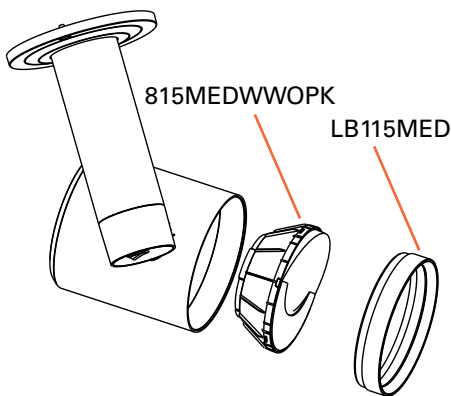
### Normal Configuration with Media



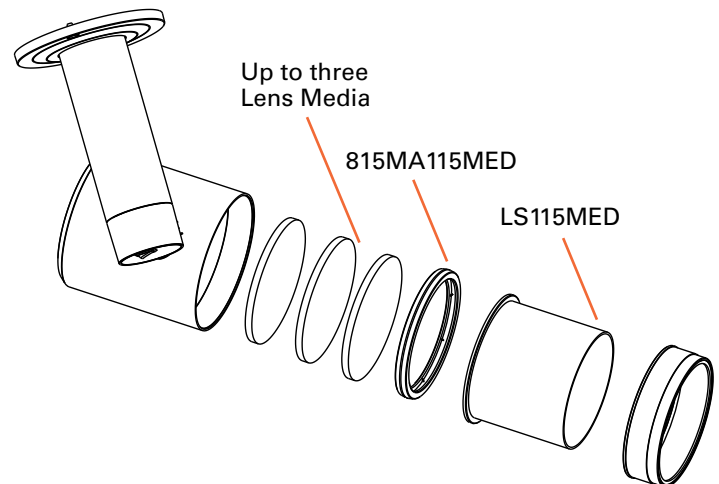
### Spare Optic



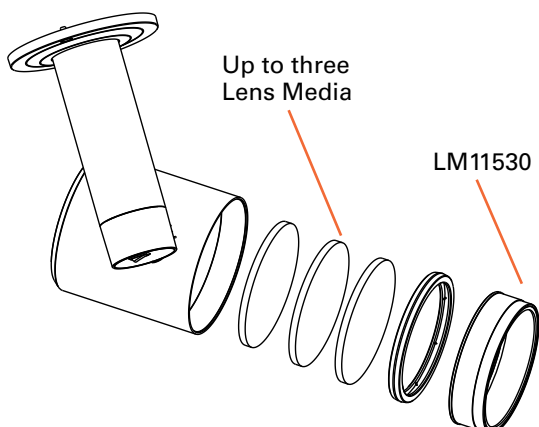
### Wall Wash Spare Optic



### Snoot and Media



### Media Holder



## Order Information

Icon Key: Configurable Product

SAMPLE ORDER NUMBER: **L815MED10FL930MB**

Track	Size	Output	Optic	CRI & CCT	Finish	Voltage
<b>L</b> =Halo Power Trac <b>L2G</b> =Global TEK/HTEK <sup>(1)</sup> <b>LJ</b> =Juno Track <sup>(2)</sup> <b>LL</b> =Lightolier <sup>(3)</sup> <b>M</b> =Monopoint	<b>815MED</b>	<b>10</b> =1000 <b>20</b> =2000 <b>30</b> =3000	<b>NS</b> =8 deg <b>SP</b> =15 deg <b>NF</b> =25 deg <b>FL</b> =45 deg <b>WF</b> =60 deg <b>WW</b> =Wall Wash	<b>927</b> =2700K / 90 CRI <b>930</b> =3000K / 90 CRI <b>935</b> =3500K / 90 CRI <b>940</b> =4000K / 90 CRI	<b>MB</b> =Black <b>P</b> =White <b>SL</b> =Silver	<b>Blank</b> =120V <b>277</b> =277V <sup>(4)</sup>
<b>Notes</b>	<b>Notes</b>	<b>Notes</b>	<b>Notes</b>	<b>Notes</b>	<b>Notes</b>	<b>Notes</b>
(1) Global® is a registered trademark of Nordic Aluminum. (2) Juno® T single circuit and 2-circuit track contact. Juno® is a registered trademark of Juno® Lighting. (3) Lightolier® Lyfspan 6000 single circuit and 2 circuit track contact. Lightolier® is a registered trademark of Philips Lighting.						(4) 277V is only available for Global HTEK track

## Accessories

Accessories		
<b>Media Holder</b> <b>LM11530MB</b> =Medium Media Holder, Black <b>LM11530P</b> =Medium Media Holder, White <b>LM11530SL</b> =Medium Media Holder, Silver  <b>815MA115MED</b> =Medium Media Adapter (includes white and black)	<b>LS115MEDMB</b> =Medium snoot, Black <b>LS115MEDP</b> =Medium snoot, White <b>LS115MEDSL</b> =Medium snoot, Silver  <b>LB115MEDMB</b> =Medium Bezel Accessory, Black <b>LB115MEDP</b> =Medium Bezel Accessory, White <b>LB115MEDSL</b> =Medium Bezel Accessory, Silver	<b>Optics</b> <b>815MEDFLOPK</b> =Medium Flood Optic Accessory <b>815MEDNFOPK</b> =Medium Narrow Flood Optic Accessory <b>815MEDNSOPK</b> =Medium Narrow Spot Optic Accessory <b>815MEDSOPK</b> =Medium Spot Optic Accessory <b>815MEDWFOPK</b> =Medium Wide Flood Accessory  <b>Wall Wash Optic (includes optic and wall wash bezel)</b> <b>815MEDWWOPKMB</b> =Medium Wall Wash Optic Accessory, Black <b>815MEDWWOPKP</b> =Medium Wall Wash Optic Accessory, White <b>815MEDWWOPKSL</b> =Medium Wall Wash Optic Accessory, Silver
<b>Notes</b>	<b>Notes</b>	<b>Notes</b>

## Product Specifications

### Aiming

- Full aiming capable.
- Can pivot +/-90° vertically and horizontally without adjusting track position.
- Graduations every 15° for precise and repeatable tilt aiming.
- Alignment Indicator mark on the bottom.

### Design

- All-metal smooth cylindrical can shape.
- Encased heat sink allows for sleeker aesthetics.
- Available in white, black, and silver finishes.

### Optics & Light Engine

- Available in 5 beam distributions, ranging from 8 degrees to 60 degrees, as well as a wall wash.
- Equipped with 1 chip-on-board LED.
- Low-glare polycarbonate lens
- Removable bezel allows for interchangeable optics
- Accommodates up to 2 pieces of additional PAR20 media when media holder utilized
- Light output maintains above 70% past 50,000 hours

### Electrical

- Universal 120 – 277V\*, 50/60 Hz driver.  
\*277V available only with 277 V Global track
- Individual on/off control is possible with the integral on/off switch provided.

### Dimming

- Compatible with select TRIAC and ELV dimmers down to 5%.
- Dimming only available with 120V configurations.

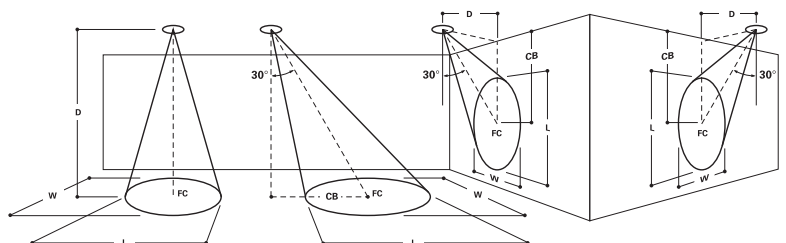
### Warranty

- Five year limited warranty
- Consult website for details. [cooperlighting.com](http://cooperlighting.com)

## Photometric Data

### Notes and Definitions:

Beam spread is to 50% center beam candlepower (CBCP).  
 D=Distance in feet to floor or wall.  
 FC=Footcandles on floor or wall at center beam aiming location.  
 L=Effective Visual Beam length in feet (50% of maximum footcandle level).  
 W=Effective Visual Beam width in feet (50% of maximum footcandle level).  
 CB=Distance in feet across or down to center beam location.



Note: Refer to IES files for more product data.

## Photometric Data

 [View IES files](#)

### Narrow Spot (8 deg beam width), 1000 lumen

L815MED10NS930MB	Lumens	Watts	LPW	CCT	SC (0/90/45)
	1199 Lm	12.7 W	94.4 Lm/W	3000K	0.15 / 0.15 / 0.15

0 Deg Aiming Angle Horizontal Illuminance on Floor				
MH	FC	L	W	
5'	1089.4	0.6	0.6	
7.5'	484.2	1	1	
10'	272.4	1.4	1.4	
12.5'	174.3	1.8	1.8	
15'	121	2.2	2.2	

30 deg Aiming Angle Horizontal Illuminance on Floor					
MH	FC	L	W	CB	
5'	709.5	0.9	0.8	2.9	
7.5'	315.3	1.4	1.2	4.3	
10'	177.4	1.9	1.6	5.8	
12.5'	113.5	2.5	2.2	7.2	
15'	78.8	3	2.6	8.7	

30 deg Aiming Angle Vertical Illuminance on Wall					
D	FC	L	W	CB	
3'	402.4	1.6	0.8	5.2	
4'	226.4	2.1	1	6.9	
6'	100.6	3.3	1.6	10.4	
8'	56.6	4.4	2.2	13.9	
10'	36.2	5.6	2.8	17.3	

60 deg Aiming Angle Horizontal Illuminance on Floor					
MH	FC	L	W	CB	
5'	144.9	2.7	1.4	8.7	
7.5'	64.4	4.2	2.2	13	
10'	36.2	5.6	2.8	17.3	
12.5'	23.2	7	3.6	21.7	
15'	16.1	8.4	4.4	26	

60 deg Aiming Angle Vertical Illuminance on Wall					
D	FC	L	W	CB	
3'	1970.7	0.5	0.4	1.7	
4'	1108.5	0.7	0.6	2.3	
6'	492.7	1.1	1	3.5	
8'	277.1	1.5	1.4	4.6	
10'	177.4	1.9	1.6	5.8	

### Spot (15 deg beam width), 1000 lumen

L815MED10SP930MB	Lumens	Watts	LPW	CCT	SC (0/90/45)
	1197 Lm	12.7 W	94.3 Lm/W	3000K	0.27 / 0.27 / 0.26

0 Deg Aiming Angle Horizontal Illuminance on Floor				
MH	FC	L	W	
5'	508.6	1.2	1.2	
7.5'	226.1	2	2	
10'	127.2	2.6	2.6	
12.5'	81.4	3.2	3.2	
15'	56.5	4	4	

30 deg Aiming Angle Horizontal Illuminance on Floor					
MH	FC	L	W	CB	
5'	340.8	1.6	1.4	2.9	
7.5'	151.5	2.5	2.2	4.3	
10'	85.2	3.3	3	5.8	
12.5'	54.5	4.2	3.6	7.2	
15'	37.9	5.1	4.4	8.7	

30 deg Aiming Angle Vertical Illuminance on Wall					
D	FC	L	W	CB	
3'	213.4	2.4	1.4	5.2	
4'	120.1	3.3	1.8	6.9	
6'	53.4	4.9	2.8	10.4	
8'	30	6.6	3.8	13.9	
10'	19.2	8.3	4.8	17.3	

60 deg Aiming Angle Horizontal Illuminance on Floor					
MH	FC	L	W	CB	
5'	76.8	4.1	2.4	8.7	
7.5'	34.1	6.2	3.6	13	
10'	19.2	8.1	4.8	17.3	
12.5'	12.3	10	6	21.7	
15'	8.5	11.9	7.2	26	

60 deg Aiming Angle Vertical Illuminance on Wall					
D	FC	L	W	CB	
3'	946.8	1	0.8	1.7	
4'	532.5	1.3	1.2	2.3	
6'	236.7	2	1.8	3.5	
8'	133.1	2.6	2.4	4.6	
10'	85.2	3.3	3	5.8	

### Narrow Flood (25 deg beam width), 1000 lumen

L815MED10NF930MB	Lumens	Watts	LPW	CCT	SC (0/90/45)
	1226 Lm	12.7 W	96.5 Lm/W	3000K	0.43 / 0.43 / 0.39

0 Deg Aiming Angle Horizontal Illuminance on Floor				
MH	FC	L	W	
5'	234.2	2	2	
7.5'	104.1	3.2	3.2	
10'	58.5	4.2	4.2	
12.5'	37.5	5.2	5.2	
15'	26	6.4	6.4	

30 deg Aiming Angle Horizontal Illuminance on Floor					
MH	FC	L	W	CB	
5'	162.7	2.5	2.2	2.9	
7.5'	72.3	3.8	3.4	4.3	
10'	40.7	5.1	4.6	5.8	
12.5'	26	6.4	5.8	7.2	
15'	18.1	7.6	7	8.7	

30 deg Aiming Angle Vertical Illuminance on Wall					
D	FC	L	W	CB	
3'	121	2.9	2	5.2	
4'	68.1	3.9	2.6	6.9	
6'	30.3	5.9	4	10.4	
8'	17	7.8	5.4	13.9	
10'	10.9	9.8	6.8	17.3	

60 deg Aiming Angle Horizontal Illuminance on Floor					
MH	FC	L	W	CB	
5'	43.6	4.8	3.4	8.7	
7.5'	19.4	7.3	5.2	13	
10'	10.9	9.8	6.8	17.3	
12.5'	7	12.2	8.2	21.7	
15'	4.8	14.7	9.8	26	

60 deg Aiming Angle Vertical Illuminance on Wall					
D	FC	L	W	CB	
3'	452	1.5	1.4	1.7	
4'	254.2	2	1.8	2.3	
6'	113	3	2.8	3.5	
8'	63.6	4	3.8	4.6	
10'	40.7	5.1	4.6	5.8	

### Flood (45 deg beam width), 1000 lumen

L815MED10FL930MB	Lumens	Watts	LPW	CCT	SC (0/90/45)
	1104 Lm	12.7 W	86.9 Lm/W	3000K	0.75 / 0.75 / 0.66

0 Deg Aiming Angle Horizontal Illuminance on Floor				
MH	FC	L	W	
5'	75.9	3.6	3.6	
7.5'	33.7	5.6	5.6	
10'	19	7.4	7.4	
12.5'	12.1	9.4	9.4	
15'	8.4	11.2	11.2	

30 deg Aiming Angle Horizontal Illuminance on Floor					
MH	FC	L	W	CB	
5'	59.1	3.7	4	2.9	
7.5'	26.3	5.7	6	4.3	
10'	14.8	7.6	8	5.8	
12.5'	9.5	9.5	10	7.2	
15'	6.6	11.5	12	8.7	

30 deg Aiming Angle Vertical Illuminance on Wall					
D	FC	L	W	CB	
3'	65.4	2.6	2.8	5.2	
4'	36.8	3.5	3.8	6.9	
6'	16.3	5.3	5.6	10.4	
8'	9.2	7	7.6	13.9	
10'	5.9	8.9	9.4	17.3	

60 deg Aiming Angle Horizontal Illuminance on Floor					
MH	FC	L	W	CB	
5'	23.5	4.4	4.6	8.7	
7.5'	10.5	6.7	7	13	
10'	5.9	8.9	9.4	17.3	
12.5'	3.8	11.1	11.6	21.7	
15'	2.6	13.1	13.6	26	

60 deg Aiming Angle Vertical Illuminance on Wall					
D	FC	L	W	CB	
3'	164.1	2.2	2.4	1.7	
4'	92.3	2.9	3.2	2.3	
6'	41	4.5	4.8	3.5	
8'	23.1	6	6.4	4.6	
10'	14.8	7.6	8	5.8	

### Wide Flood (60 deg beam width), 1000 lumen

L815MED10WF930MB	Lumens	Watts	LPW	CCT	SC (0/90/45)
	1170 Lm	12.7 W	92.1 Lm/W	3000K	0.96 / 0.96 / 0.88

0 Deg Aiming Angle Horizontal Illuminance on Floor				
MH	FC	L	W	
5'	52.5	4.8	4.8	
7.5'	23.3	7.2	7.2	
10'	13.1	9.6	9.6	
12.5'	8.4	12	12	
15'	5.8	14.4	14.4	

30 deg Aiming Angle Horizontal Illuminance on Floor					
MH	FC	L	W	CB	
5'	43.7	4.4	4.8	2.9	
7.5'	19.4	6.6	7.2	4.3	
10'	10.9	8.9	9.6	5.8	
12.5'	7	11	12.2	7.2	
15'	4.9	13.3	14.6	8.7	

30 deg Aiming Angle Vertical Illuminance on Wall					
D	FC	L	W	CB	
3'	57.3	2.6	3.2	5.2	
4'	32.2	3.5	4.2	6.9	
6'	14.3	5.4	6.4	10.4	
8'	8.1	7.2	8.6	13.9	
10'	5.2	9.1	10.8	17.3	

60 deg Aiming Angle Horizontal Illuminance on Floor					
MH	FC	L	W	CB	
5'	20.6	4.5	5.4	8.7	
7.5'	9.2	6.8	8.2	13	
10'	5.2	9	10.6	17.3	
12.5'	3.3	11.1	13	21.7	
15'	2.3	13.2	15.4	26	

60 deg Aiming Angle Vertical Illuminance on Wall					
D	FC	L	W	CB	
3'	121.4	2.5	2.8	1.7	
4'	68.3	3.4	3.8	2.3	
6'	30.3	5.1	5.8	3.5	
8'	17.1	6.9	7.8	4.6	
10'	10.9	8.6	9.6	5.8	

Note: Refer to IES files for more product data.

## Photometric Data

 [View IES files](#)

### Narrow Spot (8 deg beam width), 2000 lumen

L815MED20NS930MB	Lumens	Watts	LPW	CCT	SC (0/90/45)
	2111 Lm	24.7 W	85.5 Lm/W	3000K	0.15 / 0.15 / 0.15

0 Deg Aiming Angle Horizontal Illuminance on Floor				
MH	FC	L	W	
5'	1918.3	0.6	0.6	
7.5'	852.6	1	1	
10'	479.6	1.4	1.4	
12.5'	306.9	1.8	1.8	
15'	213.1	2.2	2.2	

30 deg Aiming Angle Horizontal Illuminance on Floor					
MH	FC	L	W	CB	
5'	1249.3	0.9	0.8	2.9	
7.5'	555.2	1.4	1.2	4.3	
10'	312.3	1.9	1.6	5.8	
12.5'	199.9	2.5	2.2	7.2	
15'	138.8	3	2.6	8.7	

30 deg Aiming Angle Vertical Illuminance on Wall					
D	FC	L	W	CB	
3'	708.6	1.6	0.8	5.2	
4'	398.6	2.1	1	6.9	
6'	177.2	3.3	1.6	10.4	
8'	99.6	4.4	2.2	13.9	
10'	63.8	5.6	2.8	17.3	

60 deg Aiming Angle Horizontal Illuminance on Floor					
MH	FC	L	W	CB	
5'	255.1	2.7	1.4	8.7	
7.5'	113.4	4.2	2.2	13	
10'	63.8	5.6	2.8	17.3	
12.5'	40.8	7	3.6	21.7	
15'	28.3	8.4	4.4	26	

60 deg Aiming Angle Vertical Illuminance on Wall					
D	FC	L	W	CB	
3'	3470.2	0.5	0.4	1.7	
4'	1952	0.7	0.6	2.3	
6'	867.5	1.1	1	3.5	
8'	488	1.5	1.4	4.6	
10'	312.3	1.9	1.6	5.8	

### Spot (15 deg beam width), 2000 lumen

L815MED20SP930MB	Lumens	Watts	LPW	CCT	SC (0/90/45)
	2109 Lm	24.7 W	85.4 Lm/W	3000K	0.27 / 0.27 / 0.26

0 Deg Aiming Angle Horizontal Illuminance on Floor				
MH	FC	L	W	
5'	895.6	1.2	1.2	
7.5'	398.1	2	2	
10'	223.9	2.6	2.6	
12.5'	143.3	3.2	3.2	
15'	99.5	4	4	

30 deg Aiming Angle Horizontal Illuminance on Floor					
MH	FC	L	W	CB	
5'	600.2	1.6	1.4	2.9	
7.5'	266.7	2.5	2.2	4.3	
10'	150	3.3	3	5.8	
12.5'	96	4.2	3.6	7.2	
15'	66.7	5.1	4.4	8.7	

30 deg Aiming Angle Vertical Illuminance on Wall					
D	FC	L	W	CB	
3'	375.8	2.4	1.4	5.2	
4'	211.4	3.3	1.8	6.9	
6'	94	4.9	2.8	10.4	
8'	52.9	6.6	3.8	13.9	
10'	33.8	8.3	4.8	17.3	

60 deg Aiming Angle Horizontal Illuminance on Floor					
MH	FC	L	W	CB	
5'	135.3	4.1	2.4	8.7	
7.5'	60.1	6.2	3.6	13	
10'	33.8	8.1	4.8	17.3	
12.5'	21.6	10	6	21.7	
15'	15	11.9	7.2	26	

60 deg Aiming Angle Vertical Illuminance on Wall					
D	FC	L	W	CB	
3'	1667.1	1	0.8	1.7	
4'	937.8	1.3	1.2	2.3	
6'	416.8	2	1.8	3.5	
8'	234.4	2.6	2.4	4.6	
10'	150	3.3	3	5.8	

### Narrow Flood (25 deg beam width), 2000 lumen

L815MED20NF930MB	Lumens	Watts	LPW	CCT	SC (0/90/45)
	2159 Lm	24.7 W	87.4 Lm/W	3000K	0.43 / 0.43 / 0.39

0 Deg Aiming Angle Horizontal Illuminance on Floor				
MH	FC	L	W	
5'	412.3	2	2	
7.5'	183.3	3.2	3.2	
10'	103.1	4.2	4.2	
12.5'	66	5.2	5.2	
15'	45.8	6.4	6.4	

30 deg Aiming Angle Horizontal Illuminance on Floor					
MH	FC	L	W	CB	
5'	286.5	2.5	2.2	2.9	
7.5'	127.3	3.8	3.4	4.3	
10'	71.6	5.1	4.6	5.8	
12.5'	45.8	6.4	5.8	7.2	
15'	31.8	7.6	7	8.7	

30 deg Aiming Angle Vertical Illuminance on Wall					
D	FC	L	W	CB	
3'	213.2	2.9	2	5.2	
4'	119.9	3.9	2.6	6.9	
6'	53.3	5.9	4	10.4	
8'	30	7.8	5.4	13.9	
10'	19.2	9.8	6.8	17.3	

60 deg Aiming Angle Horizontal Illuminance on Floor					
MH	FC	L	W	CB	
5'	76.7	4.8	3.4	8.7	
7.5'	34.1	7.3	5.2	13	
10'	19.2	9.8	6.8	17.3	
12.5'	12.3	12.2	8.2	21.7	
15'	8.5	14.7	9.8	26	

60 deg Aiming Angle Vertical Illuminance on Wall					
D	FC	L	W	CB	
3'	795.9	1.5	1.4	1.7	
4'	447.7	2	1.8	2.3	
6'	199	3	2.8	3.5	
8'	111.9	4	3.8	4.6	
10'	71.6	5.1	4.6	5.8	

### Flood (45 deg beam width), 2000 lumen

L815MED20FL930MB	Lumens	Watts	LPW	CCT	SC (0/90/45)
	1944 Lm	24.7 W	78.7 Lm/W	3000K	0.75 / 0.75 / 0.66

0 Deg Aiming Angle Horizontal Illuminance on Floor				
MH	FC	L	W	
5'	133.7	3.6	3.6	
7.5'	59.4	5.6	5.6	
10'	33.4	7.4	7.4	
12.5'	21.4	9.4	9.4	
15'	14.9	11.2	11.2	

30 deg Aiming Angle Horizontal Illuminance on Floor					
MH	FC	L	W	CB	
5'	104.1	3.7	4	2.9	
7.5'	46.2	5.7	6	4.3	
10'	26	7.6	8	5.8	
12.5'	16.6	9.5	10	7.2	
15'	11.6	11.5	12	8.7	

30 deg Aiming Angle Vertical Illuminance on Wall					
D	FC	L	W	CB	
3'	115.1	2.6	2.8	5.2	
4'	64.8	3.5	3.8	6.9	
6'	28.8	5.3	5.6	10.4	
8'	16.2	7	7.6	13.9	
10'	10.4	8.9	9.4	17.3	

60 deg Aiming Angle Horizontal Illuminance on Floor					
MH	FC	L	W	CB	
5'	41.5	4.4	4.6	8.7	
7.5'	18.4	6.7	7	13	
10'	10.4	8.9	9.4	17.3	
12.5'	6.6	11.1	11.6	21.7	
15'	4.6	13.1	13.6	26	

60 deg Aiming Angle Vertical Illuminance on Wall					
D	FC	L	W	CB	
3'	289	2.2	2.4	1.7	
4'	162.6	2.9	3.2	2.3	
6'	72.3	4.5	4.8	3.5	
8'	40.6	6	6.4	4.6	
10'	26	7.6	8	5.8	

### Wide Flood (60 deg beam width), 2000 lumen

L815MED20WF930MB	Lumens	Watts	LPW	CCT	SC (0/90/45)
	2061 Lm	24.7 W	83.4 Lm/W	3000K	0.96 / 0.96 / 0.88

0 Deg Aiming Angle Horizontal Illuminance on Floor				
MH	FC	L	W	
5'	92.4	4.8	4.8	
7.5'	41.1	7.2	7.2	
10'	23.1	9.6	9.6	
12.5'	14.8	12	12	
15'	10.3	14.4	14.4	

30 deg Aiming Angle Horizontal Illuminance on Floor					
MH	FC	L	W	CB	
5'	76.9	4.4	4.8	2.9	
7.5'	34.2	6.6	7.2	4.3	
10'	19.2	8.9	9.6	5.8	
12.5'	12.3	11	12.2	7.2	
15'	8.5	13.3	14.6	8.7	

30 deg Aiming Angle Vertical Illuminance on Wall					
D	FC	L	W	CB	
3'	100.9	2.6	3.2	5.2	
4'	56.8	3.5	4.2	6.9	
6'	25.2	5.4	6.4	10.4	
8'	14.2	7.2	8.6	13.9	
10'	9.1	9.1	10.8	17.3	

60 deg Aiming Angle Horizontal Illuminance on Floor					
MH	FC	L	W	CB	
5'	36.3	4.5	5.4	8.7	
7.5'	16.1	6.8	8.2	13	
10'	9.1	9	10.6	17.3	
12.5'	5.8	11.1	13	21.7	
15'	4	13.2	15.4	26	

60 deg Aiming Angle Vertical Illuminance on Wall					
D	FC	L	W	CB	
3'	213.7	2.5	2.8	1.7	
4'	120.2	3.4	3.8	2.3	
6'	53.4	5.1	5.8	3.5	
8'	30.1	6.9	7.8	4.6	
10'	19.2	8.6	9.6	5.8	

Note: Refer to IES files for more product data.

## Photometric Data

 [View IES files](#)

### Narrow Spot (8 deg beam width), 3000 lumen

L815MED30NS930MB	Lumens	Watts	LPW	CCT	SC (0/90/45)
	2766 Lm	37.7 W	73.4 Lm/W	3000K	0.15 / 0.15 / 0.15

0 Deg Aiming Angle Horizontal Illuminance on Floor				
MH	FC	L	W	
5'	2513.9	0.6	0.6	
7.5'	1117.3	1	1	
10'	628.5	1.4	1.4	
12.5'	402.2	1.8	1.8	
15'	279.3	2.2	2.2	

30 deg Aiming Angle Horizontal Illuminance on Floor					
MH	FC	L	W	CB	
5'	1637.1	0.9	0.8	2.9	
7.5'	727.6	1.4	1.2	4.3	
10'	409.3	1.9	1.6	5.8	
12.5'	261.9	2.5	2.2	7.2	
15'	181.9	3	2.6	8.7	

30 deg Aiming Angle Vertical Illuminance on Wall					
D	FC	L	W	CB	
3'	928.6	1.6	0.8	5.2	
4'	522.3	2.1	1	6.9	
6'	232.2	3.3	1.6	10.4	
8'	130.6	4.4	2.2	13.9	
10'	83.6	5.6	2.8	17.3	

60 deg Aiming Angle Horizontal Illuminance on Floor					
MH	FC	L	W	CB	
5'	334.3	2.7	1.4	8.7	
7.5'	148.6	4.2	2.2	13	
10'	83.6	5.6	2.8	17.3	
12.5'	53.5	7	3.6	21.7	
15'	37.1	8.4	4.4	26	

60 deg Aiming Angle Vertical Illuminance on Wall					
D	FC	L	W	CB	
3'	4547.5	0.5	0.4	1.7	
4'	2558	0.7	0.6	2.3	
6'	1136.9	1.1	1	3.5	
8'	639.5	1.5	1.4	4.6	
10'	409.3	1.9	1.6	5.8	

### Spot (15 deg beam width), 3000 lumen

L815MED30SP930MB	Lumens	Watts	LPW	CCT	SC (0/90/45)
	2763 Lm	37.7 W	73.3 Lm/W	3000K	0.27 / 0.27 / 0.26

0 Deg Aiming Angle Horizontal Illuminance on Floor				
MH	FC	L	W	
5'	1173.7	1.2	1.2	
7.5'	521.6	2	2	
10'	293.4	2.6	2.6	
12.5'	187.8	3.2	3.2	
15'	130.4	4	4	

30 deg Aiming Angle Horizontal Illuminance on Floor					
MH	FC	L	W	CB	
5'	786.5	1.6	1.4	2.9	
7.5'	349.5	2.5	2.2	4.3	
10'	196.6	3.3	3	5.8	
12.5'	125.8	4.2	3.6	7.2	
15'	87.4	5.1	4.4	8.7	

30 deg Aiming Angle Vertical Illuminance on Wall					
D	FC	L	W	CB	
3'	492.5	2.4	1.4	5.2	
4'	277	3.3	1.8	6.9	
6'	123.1	4.9	2.8	10.4	
8'	69.3	6.6	3.8	13.9	
10'	44.3	8.3	4.8	17.3	

60 deg Aiming Angle Horizontal Illuminance on Floor					
MH	FC	L	W	CB	
5'	177.3	4.1	2.4	8.7	
7.5'	78.8	6.2	3.6	13	
10'	44.3	8.1	4.8	17.3	
12.5'	28.4	10	6	21.7	
15'	19.7	11.9	7.2	26	

60 deg Aiming Angle Vertical Illuminance on Wall					
D	FC	L	W	CB	
3'	2184.7	1	0.8	1.7	
4'	1228.9	1.3	1.2	2.3	
6'	546.2	2	1.8	3.5	
8'	307.2	2.6	2.4	4.6	
10'	196.6	3.3	3	5.8	

### Narrow Flood (25 deg beam width), 3000 lumen

L815MED30NF930MB	Lumens	Watts	LPW	CCT	SC (0/90/45)
	2829 Lm	37.7 W	75 Lm/W	3000K	0.43 / 0.43 / 0.39

0 Deg Aiming Angle Horizontal Illuminance on Floor				
MH	FC	L	W	
5'	540.3	2	2	
7.5'	240.2	3.2	3.2	
10'	135.1	4.2	4.2	
12.5'	86.5	5.2	5.2	
15'	60	6.4	6.4	

30 deg Aiming Angle Horizontal Illuminance on Floor					
MH	FC	L	W	CB	
5'	375.5	2.5	2.2	2.9	
7.5'	166.9	3.8	3.4	4.3	
10'	93.9	5.1	4.6	5.8	
12.5'	60.1	6.4	5.8	7.2	
15'	41.7	7.6	7	8.7	

30 deg Aiming Angle Vertical Illuminance on Wall					
D	FC	L	W	CB	
3'	279.3	2.9	2	5.2	
4'	157.1	3.9	2.6	6.9	
6'	69.8	5.9	4	10.4	
8'	39.3	7.8	5.4	13.9	
10'	25.1	9.8	6.8	17.3	

60 deg Aiming Angle Horizontal Illuminance on Floor					
MH	FC	L	W	CB	
5'	100.6	4.8	3.4	8.7	
7.5'	44.7	7.3	5.2	13	
10'	25.1	9.8	6.8	17.3	
12.5'	16.1	12.2	8.2	21.7	
15'	11.2	14.7	9.8	26	

60 deg Aiming Angle Vertical Illuminance on Wall					
D	FC	L	W	CB	
3'	1043	1.5	1.4	1.7	
4'	586.7	2	1.8	2.3	
6'	260.7	3	2.8	3.5	
8'	146.7	4	3.8	4.6	
10'	93.9	5.1	4.6	5.8	

### Flood (45 deg beam width), 3000 lumen

L815MED30FL930MB	Lumens	Watts	LPW	CCT	SC (0/90/45)
	2548 Lm	37.7 W	67.6 Lm/W	3000K	0.75 / 0.75 / 0.66

0 Deg Aiming Angle Horizontal Illuminance on Floor				
MH	FC	L	W	
5'	175.2	3.6	3.6	
7.5'	77.9	5.6	5.6	
10'	43.8	7.4	7.4	
12.5'	28	9.4	9.4	
15'	19.5	11.2	11.2	

30 deg Aiming Angle Horizontal Illuminance on Floor					
MH	FC	L	W	CB	
5'	136.4	3.7	4	2.9	
7.5'	60.6	5.7	6	4.3	
10'	34.1	7.6	8	5.8	
12.5'	21.8	9.5	10	7.2	
15'	15.2	11.5	12	8.7	

30 deg Aiming Angle Vertical Illuminance on Wall					
D	FC	L	W	CB	
3'	150.9	2.6	2.8	5.2	
4'	84.9	3.5	3.8	6.9	
6'	37.7	5.3	5.6	10.4	
8'	21.2	7	7.6	13.9	
10'	13.6	8.9	9.4	17.3	

60 deg Aiming Angle Horizontal Illuminance on Floor					
MH	FC	L	W	CB	
5'	54.3	4.4	4.6	8.7	
7.5'	24.1	6.7	7	13	
10'	13.6	8.9	9.4	17.3	
12.5'	8.7	11.1	11.6	21.7	
15'	6	13.1	13.6	26	

60 deg Aiming Angle Vertical Illuminance on Wall					
D	FC	L	W	CB	
3'	378.8	2.2	2.4	1.7	
4'	213.1	2.9	3.2	2.3	
6'	94.7	4.5	4.8	3.5	
8'	53.3	6	6.4	4.6	
10'	34.1	7.6	8	5.8	

### Wide Flood (60 deg beam width), 3000 lumen

L815MED30WF930MB	Lumens	Watts	LPW	CCT	SC (0/90/45)
	2700 Lm	37.7 W	71.6 Lm/W	3000K	0.96 / 0.96 / 0.88

0 Deg Aiming Angle Horizontal Illuminance on Floor				
MH	FC	L	W	
5'	121.1	4.8	4.8	
7.5'	53.8	7.2	7.2	
10'	30.3	9.6	9.6	
12.5'	19.4	12	12	
15'	13.5	14.4	14.4	

30 deg Aiming Angle Horizontal Illuminance on Floor					
MH	FC	L	W	CB	
5'	100.8	4.4	4.8	2.9	
7.5'	44.8	6.6	7.2	4.3	
10'	25.2	8.9	9.6	5.8	
12.5'	16.1	11	12.2	7.2	
15'	11.2	13.3	14.6	8.7	

30 deg Aiming Angle Vertical Illuminance on Wall					
D	FC	L	W	CB	
3'	132.3	2.6	3.2	5.2	
4'	74.4	3.5	4.2	6.9	
6'	33.1	5.4	6.4	10.4	
8'	18.6	7.2	8.6	13.9	
10'	11.9	9.1	10.8	17.3	

60 deg Aiming Angle Horizontal Illuminance on Floor					
MH	FC	L	W	CB	
5'	47.6	4.5	5.4	8.7	
7.5'	21.2	6.8	8.2	13	
10'	11.9	9	10.6	17.3	
12.5'	7.6	11.1	13	21.7	
15'	5.3	13.2	15.4	26	

60 deg Aiming Angle Vertical Illuminance on Wall					
D	FC	L	W	CB	
3'	280.1	2.5	2.8	1.7	
4'	157.6	3.4	3.8	2.3	
6'	70	5.1	5.8	3.5	
8'	39.4	6.9	7.8	4.6	
10'	25.2	8.6	9.6	5.8	

Note: Refer to IES files for more product data.

## Photometric Data

[View IES files](#)

### Wall Wash, 1000 lumen

L815MED10WW930MB	Lumens	987 Lm	Watts	12.7 W	LPW	77.7 Lm/W
	CCT	SC (0/90/45)				
	3000K	0.44 / 0.77 / 0.63				

Single Unit Footcandles 2.5' from wall (distance from fixture along wall)							
DD	0	1	2	3	4	5	6
1'	4	3.1	1.2	0.3	0.1	0.1	0
2'	7.9	6.3	3.7	2	0.9	0.3	0.1
3'	7	6	4	2.4	1.4	0.9	0.5
4'	5.7	5	3.7	2.4	1.5	1	0.6
5'	4.4	4	3.2	2.2	1.5	1	0.6
6'	3.4	3.2	2.7	2	1.4	0.9	0.6
8'	2.1	2	1.8	1.5	1.1	0.8	0.6
10'	1.4	1.4	1.3	1.1	0.9	0.7	0.5

Multiple Unit Footcandles 2.5' from wall (spacing between fixtures)								
•			•			•		
•	3	•	•	4	•	•	4	•
4.3	4.4	4.3		4.1	2.4	4.1		
9.9	9.9	9.9		8.8	7.4	8.8		
9.4	10.2	9.4		8.5	8.1	8.5		
8.1	8.8	8.1		7.2	7.4	7.2		
6.6	7.4	6.6		5.9	6.4	5.9		
5.4	6	5.4		4.8	5.4	4.8		
3.6	3.9	3.6		3.3	3.7	3.3		
2.5	2.7	2.5		2.3	2.6	2.3		

### Wall Wash, 2000 lumen

L815MED20WW930MB	Lumens	1739 Lm	Watts	24.7 W	LPW	70.4 Lm/W
	CCT	SC (0/90/45)				
	3000K	0.44 / 0.77 / 0.63				

Single Unit Footcandles 2.5' from wall (distance from fixture along wall)							
DD	0	1	2	3	4	5	6
1'	7	5.4	2.1	0.5	0.2	0.1	0
2'	13.9	11	6.5	3.5	1.6	0.6	0.2
3'	12.4	10.6	7.1	4.2	2.5	1.5	0.8
4'	10	8.7	6.5	4.2	2.7	1.7	1.1
5'	7.8	7.1	5.6	3.9	2.6	1.7	1.1
6'	6	5.6	4.7	3.5	2.4	1.6	1.1
8'	3.8	3.6	3.2	2.6	2	1.5	1
10'	2.5	2.4	2.2	1.9	1.6	1.2	0.9

Multiple Unit Footcandles 2.5' from wall (spacing between fixtures)								
•			•			•		
•	3	•	•	4	•	•	4	•
7.5	7.7	7.5		7.2	4.2	7.2		
17.4	17.4	17.4		15.5	12.9	15.5		
16.6	17.9	16.6		14.9	14.2	14.9		
14.2	15.5	14.2		12.7	13	12.7		
11.7	13	11.7		10.4	11.3	10.4		
9.6	10.6	9.6		8.5	9.5	8.5		
6.4	6.9	6.4		5.8	6.5	5.8		
4.4	4.8	4.4		4.1	4.5	4.1		

### Wall Wash, 3000 lumen

L815MED30WW930MB	Lumens	2278 Lm	Watts	37.7 W	LPW	60.4 Lm/W
	CCT	SC (0/90/45)				
	3000K	0.44 / 0.77 / 0.63				

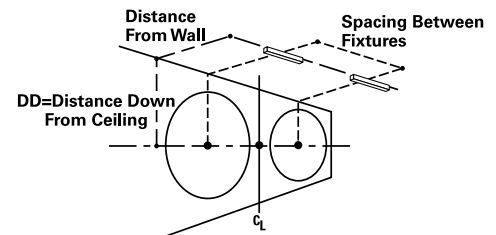
Single Unit Footcandles 2.5' from wall (distance from fixture along wall)							
DD	0	1	2	3	4	5	6
1'	9.1	7.1	2.8	0.7	0.3	0.1	0.1
2'	18.2	14.5	8.5	4.6	2.1	0.7	0.2
3'	16.2	13.9	9.3	5.5	3.3	2	1.1
4'	13.1	11.5	8.5	5.5	3.5	2.2	1.4
5'	10.2	9.3	7.4	5.1	3.4	2.2	1.5
6'	7.9	7.4	6.2	4.6	3.2	2.1	1.5
8'	4.9	4.7	4.2	3.5	2.7	1.9	1.4
10'	3.3	3.2	2.9	2.5	2.1	1.6	1.2

Multiple Unit Footcandles 2.5' from wall (spacing between fixtures)								
•			•			•		
•	3	•	•	4	•	•	4	•
9.8	10.1	9.8		9.4	5.5	9.4		
22.8	22.8	22.8		20.4	17	20.4		
21.8	23.5	21.8		19.6	18.6	19.6		
18.6	20.4	18.6		16.6	17	16.6		
15.3	17	15.3		13.6	14.8	13.6		
12.5	13.8	12.5		11.1	12.4	11.1		
8.4	9.1	8.4		7.6	8.5	7.6		
5.8	6.2	5.8		5.3	5.9	5.3		

### Notes

- Illuminance values for multiple fixtures are based upon the center two units of a four unit array. Footcandle values are center line of fixtures and centered between fixtures. 1 footcandle = 10.76 lux. 1 foot(') = 304.8mm.
- Illuminance values are cosine corrected initial value with no contribution from inter reflections from other room surfaces. Total illumination may increase from contributions from other surfaces.
- Changing fixture spacing will affect illuminance level.
 

$\frac{\text{Existing Spacing}}{\text{New Spacing}}$	x	Average Table Fc Level
--	---	------------------------
- 39W Multiplier = .5



Note: Refer to IES files for more product data.