

DESCRIPTION

A series of understated, balanced luminaires. The Stasis family of luminaires feature die cast and extruded bodies with elegant free flowing lines. Ideal for accent and display lighting applications. This Stasis LED Large luminaire is perfect for those applications where performance is required from a discreet source.

Catalog #		Type
Project		
Comments		Date
Prepared by		

SPECIFICATION FEATURES

Quick-Lock Adapter *

Attaches electrically and mechanically anywhere along track. Includes discreet locking tab that locks luminaire on track and allows for easy removal and repositioning. Two position conductor allows use in single circuit and either circuit of two circuit track.

Lockable Aiming

Luminaire tilt and rotation can be locked in place easily with the included 0.5mm allen wrench.

Switch

On/off switch allows power to be turned off during installation on individual luminaires.

Optics

Optical distributions are field changeable and designed with patented IMS optics.

Driver Housing

Die cast and extruded aluminum housing incorporates the lamp control circuit.

Heat Sink

Aluminum die cast heat sink provides exceptional thermal management to yield 70% lumen maintenance after 50,000 hours of operation.

Luminaire Arm

Arm allows the housing tilt to adjust +/-90°. It also pivots +/-90° around the driver housing. This enables the driver housing to remain static on the track creating a clean look, while providing full aiming capabilities. The arm employs graduations every 15° for precise and repeatable tilt aiming. Indicator mark on the bottom ensures perfect lamp housing alignment with track.

LED Light Engine

Equipped with (16) 3 Watt white LEDs. High CRI of 85 with excellent color consistency of +/- 50 K color temperature.

Labels

UL/cUL Listed for use with Halo Architectural Power-Trac and Lazer Track. UL/cUL classified for use with Juno¹, Lightolier² and Global TEK/HTEK³ Track. DesignLights™ consortium qualified. Refer to www.designlights.org qualified products list for details.

Warranty

Subject to all of the limitations set forth in Cooper Lighting Solutions' Terms and Conditions of Sale, for HALO TRACK LED products, the limited warranty set forth shall have a period of 5 years from the date of shipment of products.



L805LRG Stasis

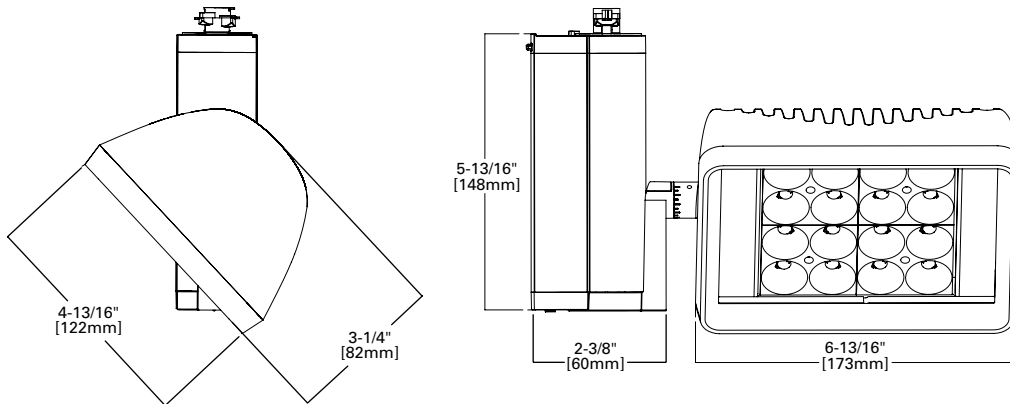
**38W
High Output**



3000K	CBCP
Spot 15°	27741
Narrow Flood 25°	12898
Flood 37°	5669
4000K Multiplier= 1.25	

Lighting Data	
3000K Spot	
Lumens:	2399
Lumens per watt:	64.1

Energy Data:	
Input Power:	38W
Power Factor:	>0.90
Input Current:	0.32 Amps



ORDERING INFORMATION

SAMPLE NUMBER: L805LRGWW830AHHO (Halo or LazerTrack connector, Wall Wash, 85 CRI, 3000K, Aluminum Haze Finish, High Output 38W)

Track	LED	Size	Beam	CRI	CCT	Finish	Voltage
L=Halo and Lazer Power-Trac LJ=Juno® Track 1 LL=Lightolier® Track 2 L2G=Global® TEK or HTEK 3	805=805	LRG=Large	SP=15° Spot NF=25° Narrow Flood FL=37° Flood	8=85	30=3000K 40=4000K	AH=Aluminum Haze MB=Black P=White	[Blank]=120V 277=277 VAC (Only with HTEK)

Accessories (order separately)

- L850=Solite Lens Kit
- L8SP=15° Spot Optic Kit
- L8NF=25° Narrow Flood Optic Kit
- L8FL=37° Flood Optic Kit
- L8WW=Wall Wash Optic Kit
- L827=2700K Lens Kit

NOTES: 1. Juno® T single circuit and 2-circuit track contact. Juno® is a registered trademark of Juno® Lighting. 2. Lightolier® Lyfespan 6000 single circuit and 2 circuit track contact. Lightolier® is a registered trademark of Philips Lighting. 3. Global® is a registered trademark of Nordic Aluminum. DesignLights™ Consortium Qualified. Refer to www.designlights.org Qualified Products List under Family Models for details.

PHOTOMETRICS

Color Temp.= 3000K	0° Aiming Angle				30° Aiming Angle					30° Aiming Angle				
	Horizontal Footcandles				Horizontal Footcandles					Vertical Footcandles on Wall				
Spot: 15°	D	FC	L	W	D	FC	L	W	CB	D	FC	L	W	CB
CBCP: 27741	5.0	1110	2.0	2.0	5.0	721	2.7	2.3	2.9	3.0	444	4.2	2.3	5.2
Lumens: 2399	7.5	493	3.0	3.0	7.5	320	4.0	3.5	4.3	4.0	250	5.6	3.0	6.9
LPW: 64.1	10.0	277	4.0	4.0	10.0	180	5.4	4.7	5.8	5.0	160	7.0	3.8	8.7
	12.5	178	5.0	5.0	12.5	115	6.7	5.9	7.2	6.0	111	8.4	4.5	10.4
	15.0	123	5.9	5.9	15.0	80	8.1	7.0	8.7					
Narrow Flood: 25°	D	FC	L	W	D	FC	L	W	CB	D	FC	L	W	CB
CBCP: 12898	5.0	516	3.0	3.0	5.0	343	3.9	3.5	2.9	3.0	244	5.4	3.2	5.2
Lumens: 2383	7.5	229	4.5	4.5	7.5	152	5.8	5.2	4.3	4.0	137	7.2	4.2	6.9
LPW: 63.6	10.0	129	5.9	5.9	10.0	86	7.7	6.9	5.8	5.0	88	9.0	5.3	8.7
	12.5	83	7.4	7.4	12.5	55	9.7	8.7	7.2	6.0	61	10.8	6.3	10.4
	15.0	57	8.9	8.9	15.0	38	11.6	10.4	8.7					
Flood: 37°	D	FC	L	W	D	FC	L	W	CB	D	FC	L	W	CB
CBCP: 5669	5.0	227	4.7	4.7	5.0	163	5.5	5.3	2.9	3.0	139	5.9	4.6	5.2
Lumens: 2319	7.5	101	7.1	7.1	7.5	72	8.3	7.9	4.3	4.0	78	7.9	6.1	6.9
LPW: 62	10.0	57	9.4	9.5	10.0	41	11.1	10.6	5.8	5.0	50	9.8	7.6	8.7
	12.5	36	11.8	11.9	12.5	26	13.9	13.2	7.2	6.0	35	11.8	9.2	10.4
	15.0	25	14.1	14.2	15.0	18	16.6	15.9	8.7					

Notes and Definitions:

Beam spread is to 50% center beam candlepower (CBCP.)
 D=Distance in feet to floor or wall.
 FC=Footcandles on floor or wall at center beam aiming location.
 L=Effective Visual Beam length in feet (50% of maximum footcandle level.)
 W=Effective Visual Beam width in feet (50% of maximum footcandle level.)
 CB=Distance in feet across or down to center beam location.

