

DESCRIPTION

The Halo RL6 Deep Baffle is a complete LED Baffle-Trim Module for 6 inch aperture recessed downlights; suitable for new construction, remodel and retrofit installation. The regressed lens provides uniform illumination and wet location listing. Precision construction makes any housing AIR-TITE for added savings and code compliance.

Catalog #		Type
Project		
Comments		Date
Prepared by		

SPECIFICATION FEATURES

MODULE - TRIM

- Module construction includes LED Array, heat sink, reflector, lens, baffle and trim ring.
- Regressed Coilex baffle
- Heat sink designed to conduct heat away from the LED Array, keeping the junction temperatures below specified maximums, even when installed in insulated ceiling environments.

LED ARRAY

- Mid power LED array provides a uniform source with high efficiency and no pixilation.
- 90 CRI minimum, R9 greater than 50
- Color accuracy within 3 SDCM provide color accuracy and uniformity

OPTICAL ASSEMBLY

- Regressed lens
- Impact-resistant polycarbonate
- Convex form and lamp-like appearance
- Diffuse for even illumination

BAFFLES

- Each unit comes with a white baffle insert and black baffle insert.

DRIVER

- Integral 120V 50/60 Hz constant current driver provides noise free operation
- In the mobile app, continuous, flicker-free dimming from 100% to 5%.
- Inline electrical quick connect and E26 adapter (provided) provides mains connections
- Consult instruction sheets and quick start guide for more information

RETENTION

Torsion Springs

- Integral torsion springs offer two mounting options
- Torsion springs are pre-installed and adjust to fit 5" or 6" compatible housings

Friction Blades

- Provide alternative to torsion springs for retrofit in 5" and 6" housings without torsion spring mounting tabs.
- Friction blade design allows the RL560 to be installed in any position within the housing aperture (360 degrees).

GASKETS

- Closed cell gaskets achieve restrictive airflow requirements without additional caulking

COMPLIANCE

- UL Certified
 - Wet and Damp location listed.
 - Airtight certified per ASTM-E283
 - Suitable for use in clothes closets when installed in accordance with the NEC 410.16 spacing requirements
 - EMI/RFI emissions per FCC 47CFR Part 15 consumer limits
 - Contains no mercury or lead and RoHS compliant
 - Photometric testing in accordance with IES LM-79-08
 - Lumen maintenance projections in accordance with IES LM-80-08 and TM-21-11
 - Can be used for State of California Title 24 high efficacy luminaire compliance. Complies with Title 24 JA8-2016-E.
 - Can be used International Energy Conservation Coe (IECC) and Washington State Energy Code high efficiency luminaire compliance.
 - ENERGY STAR® listed, reference database for current listings
 - Meets State of California voluntary lamp standards
 - Lighting Facts labeled
- WARRANTY**
- Five year limited warranty, consult website for details. www.cooperlighting.com



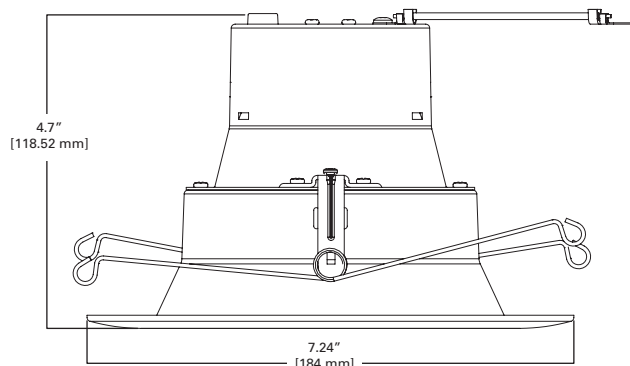
RL6 Deep Baffle

6-Inch All-Purpose LED Retrofit Module
600 Lumen Series

FOR USE IN INSULATED CEILING AND NON-INSULATED CEILING RATED HOUSINGS

HIGH-EFFICACY LED WITH INTEGRAL DRIVER - DIMMABLE

DIMENSIONS



Refer to ENERGY STAR® Certified Products List. Can be used to comply with California Title 24 High Efficacy requirements. Certified to California Appliance Efficiency Database under JA8.



ENERGY DATA @ 3000K

Lumens	668
Wattage	8.5W
Input current	0.073A
Efficacy	78.6 LPW
THD	17.5%
Frequency	60 Hz
T Ambient	-30 - +40°C
Voltage	120V
Sound Rating	Class A
Power Factor	0.99

ORDERING INFORMATION

SAMPLE NUMBER: RLD6069301EWH

A complete luminaire consists of a housing, and LED module, order separately.

Models	Lumens	CRI / CCT	Driver	Finish	Accessories
RLD6 = 6" Deep Baffle retrofit LED module	06 =600 lumen (nominal)	930 =90 CRI minimum, 3000K CCT	1E = 120V 50/60Hz leading or trailing edge phase cut 1% dimming	WH = matte white trim, white baffle and black baffle included	

Housings

Halo LED 6-inch

- H750ICAT**= 6" LED, Insulated Ceiling, Air-Tite, New Construction Housing
- H750RICAT**= 6" LED, Insulated Ceiling, Air-Tite, Remodel Housing
- H750T**= 6" LED, Non-IC, Air-Tite, New Construction Housing
- H750TCP**= 6" LED, Non-IC, New Construction/Remodel Chicago Plenum Housing
- H2750ICAT**= 6" LED, Shallow, Insulated Ceiling, Air-Tite, New Construction (use with 691X, 694X, 696X trims only)
- H2750RICAT**= 6" LED, Shallow, Insulated Ceiling, Air-Tite, Remodel (use with 691X, 694X, 696X trims only)
- E750ICAT**= 6" LED, Insulated Ceiling, Air-Tite, New Construction Housing
- E750RICAT**= 6" LED, Insulated Ceiling, Air-Tite, Remodel Housing

Halo LED retrofit

- ML7E26RFK**= 6" Retrofit Enclosure, Non-IC, E26 Screw base Interface
- ML7BXRFK**= 6" Retrofit Enclosure, Non-IC, BX Whip

Halo Shallow Housings 6-inch

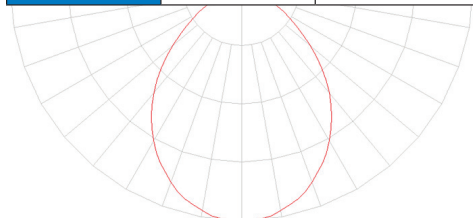
- H27ICAT**= 6" Shallow, Insulated Ceiling, Air-Tite New Construction
- H27RICAT**= 6" Shallow, Insulated Ceiling, Air-Tite Remodel Housing
- H27T**= 6" Shallow, Non-IC, New Construction Housing
- H27RT**= 6" Shallow, Non-IC, Remodel Housing
- E27ICAT**= 6" Shallow, Insulated Ceiling, Air-Tite New Construction
- E27RICAT**= 6" Shallow, Insulated Ceiling, Air-Tite Remodel Housing
- E27TAT**= 6" Shallow, Non-IC, New Construction Housing
- E27RTAT**= 6" Shallow, Non-IC, Remodel Housing

Halo Standard Housings 6-inch

- H7ICAT**= 6" Insulated Ceiling, Air-Tite New Construction Housing
- H7RICAT**= 6" Insulated Ceiling, Air-Tite Remodel Housing
- H7ICT**= 6" Insulated Ceiling, New Construction Housing
- H7RICT**= 6" Insulated Ceiling, Remodel Housing
- H7ICATNB**= 6" Insulated Ceiling, Air-Tite New Construction Housing, No Socket Bracket
- H7ICTNB**= 6" Insulated Ceiling, New Construction Housing, No Socket Bracket
- H7T**= 6" Non-IC, New Construction Housing
- H7RT**= 6" Non-IC, Remodel Housing
- H7TNB**= 6" Non-IC, New Construction Housing, No Socket Bracket
- H7TCP**= 6" Non-IC, Chicago Plenum, New Construction/Remodel Housing
- H7UICAT**= 6" Insulated Ceiling, Universal, Air-Tite, New Construction Housing
- E7ICAT**= 6" Insulated Ceiling, Air-Tite New Construction Housing
- E7RICAT**= 6" Insulated Ceiling, Air-Tite Remodel Housing
- E7ICATNB**= 6" Insulated Ceiling, Air-Tite New Construction Housing, No Socket Bracket
- E7TAT**= 6" Non-IC, New Construction Housing
- E7RTAT**= 6" Non-IC, Remodel Housing
- E7TATNB**= 6" Non-IC, New Construction Housing, No Socket Bracket

Photometric Data

RLD6069301EWH		
Luminaire lumens	668	
Input watts	8.5	
LER (LPW)	78.6	
Spacing Criteria	0-180	1.08
	90-270	1.08
	Diagonal	0.98
Beam angle (degrees)	66.1	
Field angle (degrees)	108.8	
Zonal lumen	Lumens	% Lumens
0-30	372	55.7
0-40	507	75.9
0-60	621	92.9
0-90	668	100



* Tested in accordance with IES LM63. Field results may vary.



Cooper Lighting Solutions
 1121 Highway 74 South
 Peachtree City, GA 30269
 P: 770-486-4800
 www.cooperlighting.com

Specifications and dimensions subject to change without notice.

Product Specifications

PRODUCT SPECIFICATIONS

Lumens	668
Watts	8.5
Lumens Per Watt (Efficacy)	78.6
Color Accuracy (CRI)	91
Light Color (CCT)	3000K

Correlated Color Temperature (CCT)

2700K
3000K
4500K
6500K

Performance metrics are measured using white baffle.

Color Metric Summary

TM-30-15	R _f = 91
	R _g = 98.8
CRI/CIE	R _a = 92.8
	R ₉ = 67.2



CCT - Range of 2700K- 5000K

