

Description

The Halo RA56 SeleCCTable™ LED Adjustable Gimbal is a complete LED Baffle-Trim Module for 5-Inch or 6-Inch aperture recessed downlights. It is suitable for new construction, remodel and retrofit installation. Using the CCT selectable switch users can choose between five different color temperatures. The RA56 SeleCCTable Gimbals feature adjustment of 35-degree tilt and up to 360-degree rotation.

Catalog #		Type
Project		
Comments		Date
Prepared by		

Specification Features

CCT Select System

- Use the switch to choose between 2700K, 3000K, 3500K, 4000K, and 5000K CCT.

Module - Trim

- Module construction includes LED array, heat sink, reflector, lens, baffle and trim ring.
- Regressed baffle
- Heat sink designed to conduct heat away from the LED array, keeping the junction temperatures below specified maximums, even when installed in insulated ceiling environments.
- Up to 360-degree rotation
- 35-degree tilt
- Halo matte white paint finish

LED Array

- Mid power LED array provides a uniform source with high efficiency and no pixilation.
- 90 CRI minimum, R9 greater than 50
- Color accuracy at 4 SDCM in between endpoints, provide color accuracy and uniformity.
- Color Temperature (CCT) has a selectable range from 2700K to 5000K (factory default 3000K)

Optical Assembly

- Regressed lens
- Impact-resistant polycarbonate
- Convex form and lamp-like appearance
- Diffuse for even illumination

Driver

- Integral 120V 60 Hz constant current driver provides noise free operation
- Continuous, flicker-free dimming from 100% to 5%.
- Inline electrical quick connect and E26 adapter (provided) provides mains connections
- See Dimming Guide for compatible dimmers

Retention

- Integral torsion springs and Push-N-Twist clips offer two mounting options
- Torsion springs are pre-installed and adjust to fit 5" or 6" compatible housings
- Push-N-Twist universal installation clips are pre-installed and designed to fit 5" or 6" compatible housings

Gaskets

- Closed cell gaskets achieve restrictive airflow requirements without additional caulking

Compliance

- UL Certified
- Damp location listed.
- EMI/RFI emissions per FCC 47CFR Part 15 consumer limits
- Contains no mercury or lead and RoHS compliant
- Photometric testing in accordance with IES LM-79-08
- Lumen maintenance projections in accordance with IES LM-80-08 and TM-21-11
- Can be used for State of California Title 24 high efficacy luminaire compliance. Complies with Title 24 JA8-2016-E.
- Can be used International Energy Conservation Code (IECC) high efficiency luminaire compliance.
- ENERGY STAR® listed, reference database for current listings

Warranty

Five year limited warranty, consult website for details. www.cooperlighting.com



RA56

5-Inch/6-Inch All-Purpose LED Retrofit Module with SeleCCTable switch

600 Lumen Series

FOR USE IN INSULATED CEILING AND NON-INSULATED CEILING RATED HOUSINGS

HIGH-EFFICACY LED WITH INTEGRAL DRIVER - DIMMABLE

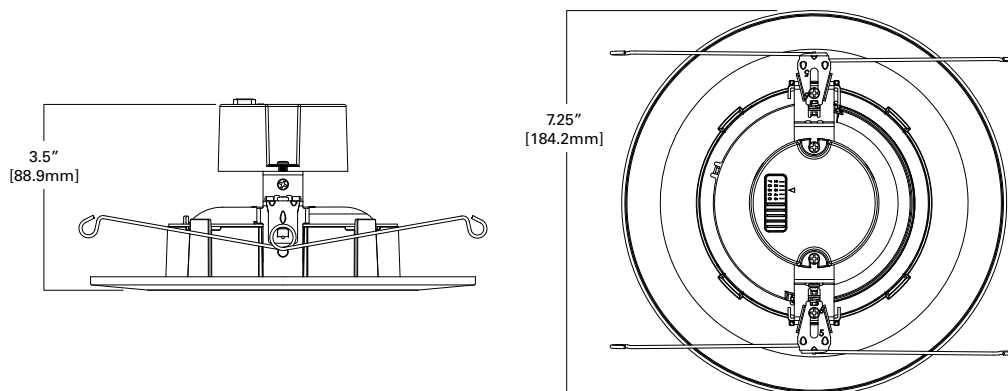


2700K • 3000K • 3500K
4000K • 5000K



Refer to ENERGY STAR® Certified Products List. Can be used to comply with California Title 24 High Efficacy requirements. Certified to California Appliance Efficiency Database under JA8.

Dimensions



ENERGY DATA @ 3000K

Lumens	600 Series
Input Voltage	120V
Input Current	.065 (mA)
Input Power	7.0 (W)
Efficiency	90 %
Inrush (A)	.91
THD:	≤ 20%
PF:	≥ 0.90
T Ambient	-30 - +40°C
Sound Rating	≤ 20dba

Ordering Information

SAMPLE NUMBER: RA56069S1EWH

A complete luminaire consists of a housing, and LED module, order separately.

Models	Lumens	CRI/CCT	Driver	Finish
RA56 = 5/6" LED Adjustable Gimbal	06 =600 lumens (nominal)	9S =90 CRI minimum, white tuning, selectable CCT 2700K-5000K	1E =120V 60Hz leading or trailing edge phase cut 1% dimming	WH =Matte white baffle

Housings

Halo LED 5-inch

- H550ICAT**= 5" LED, Insulated Ceiling, Air-Tite, New Construction Housing
- H550RICAT**= 5" LED, Insulated Ceiling, Air-Tite, Remodel Housing
- E550ICAT**= 5" LED, Insulated Ceiling, Air-Tite, New Construction Housing
- E550RICAT**= 5" LED, Insulated Ceiling, Air-Tite, Remodel Housing

Halo LED 6-inch

- H750ICAT**= 6" LED, Insulated Ceiling, Air-Tite, New Construction Housing
- H750RICAT**= 6" LED, Insulated Ceiling, Air-Tite, Remodel Housing
- H750T**= 6" LED, Non-IC, Air-Tite, New Construction Housing
- H750TCP**= 6" LED, Non-IC, New Construction/Remodel Chicago Plenum Housing
- H2750ICAT**= 6" LED, Shallow, Insulated Ceiling, Air-Tite, New Construction (use with 691X, 694X, 696X trims only)
- H2750RICAT**= 6" LED, Shallow, Insulated Ceiling, Air-Tite, Remodel (use with 691X, 694X, 696X trims only)
- E750ICAT**= 6" LED, Insulated Ceiling, Air-Tite, New Construction Housing
- E750RICAT**= 6" LED, Insulated Ceiling, Air-Tite, Remodel Housing

Halo LED retrofit

- ML7E26RFK**= 6" Retrofit Enclosure, Non-IC, E26 Screw base Interface
- ML7BXFK**= 6" Retrofit Enclosure, Non-IC, BX Whip

Halo Shallow Housings 5-inch

- H25ICAT**= 5" Shallow, Insulated Ceiling, Air-Tite New Construction
- H25RICAT**= 5" Shallow, Insulated Ceiling, Air-Tite Remodel
- H25ICATNB**= 5" Shallow, Insulated Ceiling, Air-Tite New Construction, No Socket Bracket

Halo Shallow Housings 6-inch

- H27ICAT**= 6" Shallow, Insulated Ceiling, Air-Tite New Construction
- H27RICAT**= 6" Shallow, Insulated Ceiling, Air-Tite Remodel Housing
- H27T**= 6" Shallow, Non-IC, New Construction Housing
- H27RT**= 6" Shallow, Non-IC, Remodel Housing
- E27ICAT**= 6" Shallow, Insulated Ceiling, Air-Tite New Construction
- E27RICAT**= 6" Shallow, Insulated Ceiling, Air-Tite Remodel Housing
- E27TAT**= 6" Shallow, Non-IC, New Construction Housing
- E27RTAT**= 6" Shallow, Non-IC, Remodel Housing

Halo Standard Housings 5-inch

- H5ICAT**= 5" Insulated Ceiling, Air-Tite New Construction Housing
- H5RICAT**= 5" Insulated Ceiling, Air-Tite Remodel Housing
- H5ICATNB**= 5" Insulated Ceiling, Air-Tite New Construction Housing, No Socket Bracket
- H5T**= 5" Non-IC, New Construction Housing
- H5RT**= 5" Non-IC, Remodel Housing
- H5TNB**= 5" Non-IC, New Construction Housing, No Socket Bracket
- E5ICAT**= 5" Insulated Ceiling, Air-Tite New Construction Housing
- E5RICAT**= 5" Insulated Ceiling, Air-Tite Remodel Housing
- E5ICATNB**= 5" Insulated Ceiling, Air-Tite New Construction Housing, No Socket Bracket
- E5TAT**= 5" Non-IC, New Construction Housing
- E5RTAT**= 5" Non-IC, Remodel Housing
- E5TATNB**= 5" Non-IC, New Construction Housing, No Socket Bracket

Halo Standard Housings 6-inch

- H7ICAT**= 6" Insulated Ceiling, Air-Tite New Construction Housing
- H7RICAT**= 6" Insulated Ceiling, Air-Tite Remodel Housing
- H7ICT**= 6" Insulated Ceiling, New Construction Housing
- H7RICT**= 6" Insulated Ceiling, Remodel Housing
- H7ICATNB**= 6" Insulated Ceiling, Air-Tite New Construction Housing, No Socket Bracket
- H7ICTNB**= 6" Insulated Ceiling, New Construction Housing, No Socket Bracket
- H7T**= 6" Non-IC, New Construction Housing
- H7RT**= 6" Non-IC, Remodel Housing
- H7TNB**= 6" Non-IC, New Construction Housing, No Socket Bracket
- H7TCP**= 6" Non-IC, Chicago Plenum, New Construction/Remodel Housing
- H7UICAT**= 6" Insulated Ceiling, Universal, Air-Tite, New Construction Housing
- E7ICAT**= 6" Insulated Ceiling, Air-Tite New Construction Housing
- E7RICAT**= 6" Insulated Ceiling, Air-Tite Remodel Housing
- E7ICATNB**= 6" Insulated Ceiling, Air-Tite New Construction Housing, No Socket Bracket
- E7TAT**= 6" Non-IC, New Construction Housing
- E7RTAT**= 6" Non-IC, Remodel Housing
- E7TATNB**= 6" Non-IC, New Construction Housing, No Socket Bracket

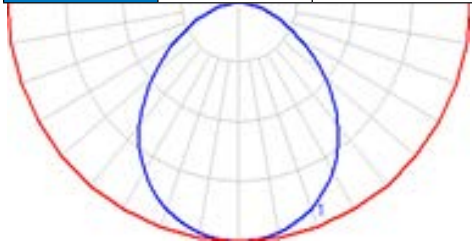


Cooper Lighting Solutions
 1121 Highway 74 South
 Peachtree City, GA 30269
 P: 770-486-4800
 www.cooperlighting.com

Specifications and dimensions subject to change without notice.

Photometric Data

RA56069S1EWHR-3000K		
Luminaire lumens		630
Input watts		7.0
LER (LPW)		90
Spacing Criteria	0-180	1.21
	90-270	1.21
	Diagonal	1.29
Beam angle (degrees)		98.1
Field angle (degrees)		151.4
Zonal lumen	Lumens	% Lumens
0-30	201	31.9
0-40	324	51.4
0-60	532	84.5
0-90	630	100



* Tested in accordance with IES LM63. Field results may vary.

Product Specifications

PRODUCT SPECIFICATIONS

Lumens	630
Watts	7.0
Lumens Per Watt (Efficacy)	90
Color Accuracy (CRI)	93
Light Color (CCT)	3000K
Correlated Color Temperature (CCT)	
2700K	3000K
4500K	6500K