

## DESCRIPTION

High efficacy low profile track fixture ideal for accent and display lighting applications. Featuring die cast construction with a simple low profile design. These lampholders are perfect for those applications where performance is required from a discreet source.

Catalog #		Type
Project		
Comments		Date
Prepared by		

## SPECIFICATION FEATURES

### Quick Lock Adapter\*

Attaches electrically and mechanically anywhere along the track. Includes discrete locking tab that locks the luminaire on the track and allows for easy removal and repositioning.

### Heat Sink

Aluminum die-cast heat sink provides exceptional thermal management to yield 70% lumen maintenance after 50,000 hours of operation.

### LED Light Engine

Chip on board LED provides a uniform source with high efficiency and no pixilation. Available in 90 CRI minimum, R9 greater than 50 and color accuracy within 3 SDCM provide color accuracy and uniformity.

### Optics

Configurable optics allow for the reflectors to be changed in the field to adjust to the current lighting need. Available in spot, flood and narrow flood distributions.

### Media

Precision designed trim ring contains unique teeth locking mechanism, and can accept up to 2 pieces of standard media. The 3" diameter fixture accepts PAR 20 standard media. The 4" diameter fixture accepts PAR 30 standard media.

### Luminaire Arm

Arm allows the lamp housing tilt to adjust  $\pm 180^\circ$  vertically and  $\pm 350^\circ$  horizontally. This enables a clean look while providing full aiming capabilities.

### Dimming

TRIAC, ELV or Phasecut

- Designed for continuous dimming capability to nominally 5% with many 120V Leading Edge (LE) and Trailing Edge (TE) Phase Control Dimmers. (Dimmers with low end trim adjustment offer greater assurance of achieving 5% level.)
- Consult dimmer manufacturer for compatibility and conditions of use.
- Dimming only available with 120V configurations.

### Warranty

Five year limited warranty, consult website for details.  
www.cooperlighting.com

### Drivers

3" fixtures (12W and 21W) contain integral 120V, 50/60 Hz constant current driver that provides noise free operation. 4" fixtures (35W) contain 120V 50/60Hz constant current driver that provides noise free operation.

### Compliance

cULus listed / certified for use with Halo Single Circuit Power-Trac and Global® TEK/HTEK track (See Footnote #1 below Ordering Information). NSF non-food zone compliant. EMI/RFI emissions per FCC 47CFR Part 15 Class B consumer limits. Contains no mercury or lead and RoHS compliant. Photometric testing in accordance with IES LM-79-08. Lumen maintenance projections in accordance with IES LM-80-08 and TM-21-11.



## L808

### LED Track Head 3-Inch and 4-Inch Flat Back Cylinder

### 90 CRI

#### 850lm package - 12W CBCP

Spot 14"	8,544
Narrow Flood 21"	5,207
Flood 41"	1,610

#### Lighting Data - 3000K Spot

Lumens	1007
Lumens per watt:	84.6

#### Energy Data

Input Power:	11.89W
Power Factor:	$\geq .99$
Input Current:	.113A

#### 1500lm package - 21W CBCP

Spot 14"	11,474
Narrow Flood 21"	7,778
Flood 41"	2,864

#### Lighting Data - 3000K Spot

Lumens	1506
Lumens per watt:	72.7

#### Energy Data

Input Power:	20.66W
Power Factor:	$\geq .99$
Input Current:	.174A

#### 2500lm package - 35W CBCP

Spot 12"	29,149
Narrow Flood 24"	9,865
Flood 33"	6,485

#### Lighting Data - 3000K Spot

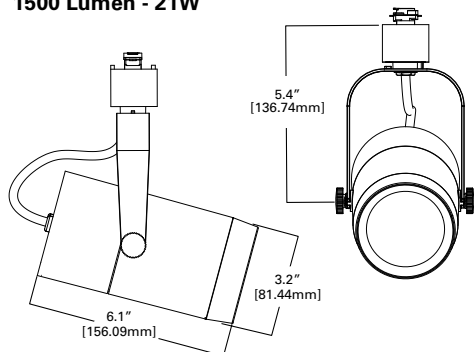
Lumens	2404
Lumens per watt:	68.9

#### Energy Data

Input Power:	34.86W
Power Factor:	$\geq .99$
Input Current:	.29A

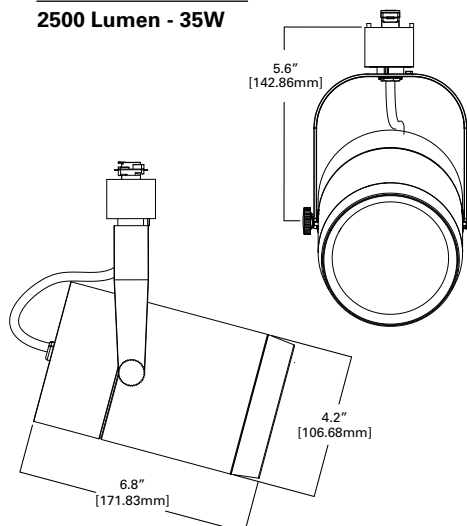
### 3-Inch Fixture\*\*

850 Lumen - 12W  
1500 Lumen - 21W



### 4-Inch Fixture\*\*

2500 Lumen - 35W



NSF/ANSI 2



**ORDERING INFORMATION**

**SAMPLE NUMBER:** L80815SP9030AH (Halo Track connector, 1500 lumen, Spot Distribution, 90 CRI, 3000K, with Aluminum Haze Finish)

Track	LED	Series	Lumen Package	Distribution	CRI	CCT	Finish	Voltage
L=Halo Single Circuit Power Trac LJ=Juno® Track¹ LL=Lightolier® Track² L2G=Global® TEK or HTEK³ LZ=Lazer and Halo two circuit Power Trac (round adapter)	8=LED	08=Cylinder	08=850 lm 15=1500 lm 25=2500 lm	SP=Spot NF=Narrow Flood FL=Flood	90=90	27=2700K 30=3000K 35=3500K 40=4000K	AH=Aluminum Haze MB=Black P=White	Blank=120V 277=277V⁴

**Accessories (order separately)**

<p><b>Reflectors</b> SREF-808302-PK= Spot Reflector 3" FREF-808302-PK=Flood Reflector 3" NFREF-808302-PK=Narrow Flood Reflector 3" SREF-808402-PK= Spot Reflector 4" FREF-808402-PK=Flood Reflector 4" NFREF-808402-PK=Narrow Flood Reflector 4"</p>	<p><b>Media - 3"</b> <b>Color Filters</b> F22-20=Red F33-20=Blue F44-20=Green F55-20=Yellow F66-20=Mercury</p> <p><b>Dichronic Filters</b> F71-20=Peach F72-20=Amber F73-20=Green F74-20=Medium Blue F75-20=Yellow F76-20=Red F77-20=Dark Blue F78-20=Light Blue F79-20=Neutral Density F80-20=Magenta</p> <p><b>Beam-Modifying Lenses</b> DIF-20=Diffused Lens OSL-20=Overall Spread Lens LSL-20=Linear Spread Lens</p> <p><b>Louvers</b> LVR-20=Hex Cell Louver</p>	<p><b>Media - 4"</b> <b>Color Filters</b> LND-RED=Red Color Filter LND-BLU=Blue Color Filter</p> <p><b>Dichronic Filters</b> LND-CLR=Clear Protective Glass Lens LND-AMB=Amber Color Filter LND-PCH=Cosmetic Peach Filter LND-MWL=Milk White Lens</p> <p><b>Beam-Modifying Lenses</b> LND-UVF=Optivex™ UN Filter LND-DSL=Diffusion Spread Lens LND-LSL=Linear Spread Lens LND-PSL=Prismatic Spread Lens</p> <p><b>Louvers</b> LND-LVR=Hex Cell Louver</p>
--	---	---

**NOTES:** 1. Juno® T single circuit and 2-circuit track contact. Juno® is a registered trademark of Juno® Lighting. 2. Lightolier® Lyfespan 6000 single circuit and 2 circuit track contact. Lightolier® is a registered trademark of Philips Lighting. 3. Global® is a registered trademark of Nordic Aluminum. 4. Only available with L2G adapter for Global HTEK track.

Select models are DesignLights™ Consortium Qualified. Refer to www.designlights.org Qualified Products List under Family Models for details.

Summary based 90 CRI 3000K White finish. Full data available in IES files online.

**PHOTOMETRICS**

**12W**

Color Temp = 3000K 4000K Multiplier = 1.25	0 deg Aiming Angle Horizontal Footcandles				30 deg Aiming Angle Horizontal Footcandles					30 deg Aiming Angle Vertical Footcandles on Wall					60 deg Aiming Angle Vertical Footcandles on Wall				
	MH	FC	L	W	MH	FC	L	W	CB	D	FC	L	W	CB	D	FC	L	W	CB
Spot: 14°	5'	341.9	1.2	1.2	5'	225.5	1.5	1.2	2.9	3'	136	2.5	1.2	5.2	3'	626.3	0.8	0.8	1.7
CBCP: 8544	7.5'	152	1.8	1.8	7.5'	100.2	2.3	2	4.3	4'	76.5	3.5	1.8	6.9	4'	352.3	1.1	1	2.3
Lumens: 1007	10'	85.5	2.4	2.4	10'	56.4	3.1	2.6	5.8	5'	49	4.3	2.2	8.7	5'	225.5	1.5	1.2	2.9
LpW: 84.6	12.5'	54.7	3	3	12.5'	36.1	3.9	3.4	7.2	6'	34	5.2	2.6	10.4	6'	156.6	1.8	1.6	3.5
	15'	38	3.6	3.6	15'	25.1	4.7	4	8.7										
Narrow Flood: 21°	5'	208.3	1.8	1.8	5'	140.5	2.3	2	2.9	3'	97.2	3.2	1.8	5.2	3'	390.4	1.3	1.2	1.7
CBCP: 5207	7.5'	92.6	2.6	2.6	7.5'	62.5	3.4	3	4.3	4'	54.7	4.3	2.4	6.9	4'	219.6	1.8	1.6	2.3
Lumens: 994	10'	52.1	3.6	3.6	10'	35.1	4.6	4	5.8	5'	35	5.4	3	8.7	5'	140.5	2.3	2	2.9
LpW: 83.5	12.5'	33.3	4.4	4.4	12.5'	22.5	5.7	5	7.2	6'	24.3	6.5	3.6	10.4	6'	97.6	2.6	2.4	3.5
	15'	23.1	5.4	5.4	15'	15.6	6.9	6	8.7										
Flood: 41°	5'	77.4	3.4	3.4	5'	58.8	3.6	3.6	2.9	3'	58.6	2.8	2.8	5.2	3'	163.3	2.1	2.2	1.7
CBCP: 1610	7.5'	34.4	5.2	5.2	7.5'	26.1	5.4	5.6	4.3	4'	32.9	3.8	3.8	6.9	4'	91.9	2.8	2.8	2.3
Lumens: 945	10'	19.4	7	7	10'	14.7	7.3	7.4	5.8	5'	21.1	4.8	4.6	8.7	5'	58.8	3.6	3.6	2.9
LpW: 79.4	12.5'	12.4	8.6	8.6	12.5'	9.4	9.1	9.2	7.2	6'	14.6	5.7	5.6	10.4	6'	40.8	4.3	4.4	3.5
	15'	8.6	10.4	10.4	15'	6.5	10.9	11.2	8.7										

**PHOTOMETRICS**

**21W**

Color Temp = 3000K  
4000K Multiplier = 1.25

	0 deg Aiming Angle Horizontal Footcandles				30 deg Aiming Angle Horizontal Footcandles					30 deg Aiming Angle Vertical Footcandles on Wall					60 deg Aiming Angle Vertical Footcandles on Wall				
	MH	FC	L	W	MH	FC	L	W	CB	D	FC	L	W	CB	D	FC	L	W	CB
Spot: 14°	5'	511.3	1.2	1.2	5'	337.2	1.5	1.2	2.9	3'	203.5	2.5	1.2	5.2	3'	936.8	0.8	0.8	1.7
CBCP: 11474	7.5'	227.3	1.8	1.8	7.5'	149.9	2.3	2	4.3	4'	114.5	3.5	1.8	6.9	4'	526.9	1.1	1	2.3
Lumens: 1506	10'	127.8	2.4	2.4	10'	84.3	3.1	2.6	5.8	5'	73.2	4.3	2.2	8.7	5'	337.2	1.5	1.2	2.9
LpW: 72.7	12.5'	81.8	3	3	12.5'	54	3.9	3.4	7.2	6'	50.9	5.2	2.6	10.4	6'	234.2	1.8	1.6	3.5
	15'	56.8	3.6	3.6	15'	37.5	4.7	4	8.7										

Narrow Flood: 21°  
CBCP: 7778  
Lumens: 1512  
LpW: 73

MH	FC	L	W	MH	FC	L	W	CB	D	FC	L	W	CB	D	FC	L	W	CB
5'	317	1.8	1.8	5'	213.9	2.3	2	2.9	3'	148	3.2	1.8	5.2	3'	594.1	1.3	1.2	1.7
7.5'	140.9	2.6	2.6	7.5'	95.1	3.4	3	4.3	4'	83.3	4.3	2.4	6.9	4'	334.2	1.8	1.6	2.3
10'	79.2	3.6	3.6	10'	53.5	4.6	4	5.8	5'	53.3	5.4	3	8.7	5'	213.9	2.3	2	2.9
12.5'	50.7	4.4	4.4	12.5'	34.2	5.7	5	7.2	6'	37	6.5	3.6	10.4	6'	148.5	2.6	2.4	3.5
15'	35.2	5.4	5.4	15'	23.8	6.9	6	8.7										

Flood: 41°  
CBCP: 2864  
Lumens: 1439  
LpW: 6935

MH	FC	L	W	MH	FC	L	W	CB	D	FC	L	W	CB	D	FC	L	W	CB
5'	117.8	3.4	3.4	5'	89.5	3.6	3.6	2.9	3'	89.1	2.8	2.8	5.2	3'	248.6	2.1	2.2	1.7
7.5'	52.4	5.2	5.2	7.5'	39.8	5.4	5.6	4.3	4'	50.1	3.8	3.8	6.9	4'	139.8	2.8	2.8	2.3
10'	29.5	7	7	10'	22.4	7.3	7.4	5.8	5'	32.1	4.8	4.6	8.7	5'	89.5	3.6	3.6	2.9
12.5'	18.8	8.6	8.6	12.5'	14.3	9.1	9.2	7.2	6'	22.3	5.7	5.6	10.4	6'	62.1	4.3	4.4	3.5
15'	13.1	10.4	10.4	15'	9.9	10.9	11.2	8.7										

**35W**

Color Temp = 3000K  
4000K Multiplier = 1.25

	0 deg Aiming Angle Horizontal Footcandles				30 deg Aiming Angle Horizontal Footcandles					30 deg Aiming Angle Vertical Footcandles on Wall					60 deg Aiming Angle Vertical Footcandles on Wall				
	MH	FC	L	W	MH	FC	L	W	CB	D	FC	L	W	CB	D	FC	L	W	CB
Spot: 12°	5'	1170.1	1	1	5'	767.4	1.3	1	2.9	3'	449.5	2.1	1	5.2	3'	2131.7	0.7	0.6	1.7
CBCP: 29149	7.5'	520	1.4	1.4	7.5'	341.1	1.9	1.6	4.3	4'	252.8	2.8	1.4	6.9	4'	1199.1	1	0.8	2.3
Lumens: 2404	10'	292.5	2	2	10'	191.9	2.6	2.2	5.8	5'	161.8	3.5	1.8	8.7	5'	767.4	1.3	1	2.9
LpW: 68.9	12.5'	187.2	2.4	2.4	12.5'	122.8	3.2	2.8	7.2	6'	112.4	4.3	2.2	10.4	6'	532.9	1.5	1.2	3.5
	15'	130	3	3	15'	85.3	3.9	3.4	8.7										

Narrow Flood: 24°  
CBCP: 9865  
Lumens: 2272  
LpW: 65.1

MH	FC	L	W	MH	FC	L	W	CB	D	FC	L	W	CB	D	FC	L	W	CB
5'	397.1	2	2	5'	274.9	2.5	2.2	2.9	3'	199.7	3.3	2	5.2	3'	763.5	1.4	1.2	1.7
7.5'	176.5	3	3	7.5'	122.2	3.8	3.2	4.3	4'	112.4	4.5	2.6	6.9	4'	429.5	2	1.8	2.3
10'	99.3	4	4	10'	68.7	5.1	4.4	5.8	5'	71.9	5.7	3.2	8.7	5'	274.9	2.5	2.2	2.9
12.5'	63.5	5	5	12.5'	44	6.4	5.6	7.2	6'	49.9	6.8	4	10.4	6'	190.9	3	2.6	3.5
15'	44.1	6	6	15'	30.5	7.7	6.6	8.7										

Flood: 33°  
CBCP: 6485  
Lumens: 2293  
LpW: 65.7

MH	FC	L	W	MH	FC	L	W	CB	D	FC	L	W	CB	D	FC	L	W	CB
5'	261.2	2.6	2.6	5'	185.6	3.2	2.8	2.9	3'	150.8	3.4	2.4	5.2	3'	515.5	1.9	1.6	1.7
7.5'	116.1	4	4	7.5'	82.5	4.9	4.4	4.3	4'	84.8	4.5	3.4	6.9	4'	290	2.6	2.2	2.3
10'	65.3	5.2	5.2	10'	46.4	6.5	5.8	5.8	5'	54.3	5.6	4.2	8.7	5'	185.6	3.2	2.8	2.9
12.5'	41.8	6.6	6.6	12.5'	29.7	8.2	7.2	7.2	6'	37.7	6.8	5	10.4	6'	128.9	3.9	3.4	3.5
15'	29	8	8	15'	20.6	9.9	8.8	8.7										

**Notes and Definitions:**

Beam spread is to 50% center beam candlepower (CBCP.)  
D=Distance in feet to floor or wall.  
FC=Footcandles on floor or wall at center beam aiming location.  
L =Effective Visual Beam length in feet (50% of maximum footcandle level.)  
W=Effective Visual Beam width in feet (50% of maximum footcandle level.)  
CB=Distance in feet across or down to center beam location.

