

DESCRIPTION

The Halo HLC6 is a low profile, surface mount luminaire that offers easy below the ceiling installation to save time and money. The HLC6 (6") is designed for installation in most 3-1/2" and 4" square, octagon, or round junction boxes.

| | | |
|-------------|--|------|
| Catalog # | | Type |
| Project | | |
| Comments | | Date |
| Prepared by | | |

SPECIFICATION FEATURES

CONSTRUCTION

- Stamped aluminum

OPTICS

- Precision engineered optic provides uniform luminance from a low profile convex lens
- Removable lens for easy install from below installation

LED

- Backlit LED technology
- Color Temperature options include: 3000K, 4000K or 5000K
- 90 CRI is standard
- L70 at 50,000 hours projected in accordance with TM-21

DRIVER

- Integral 120V 60Hz constant current driver provides virtually noise free operation.
- Continuous, flicker-free dimming from 100% to 10% with select leading or trailing edge 120V phase cut dimmers. See dimming guide.
- Dimming to 10% is best assured using dimmers with low end trim adjustment. Consult dimmer manufacturer for compatibility and conditions of use. (Note some dimmers require a neutral in the wallbox.)

- Inline electrical quick connect (provided) provides mains connections

ELECTRICAL JUNCTION BOX MOUNTING

- HLC6 may be used in compatible electrical junction box in direct contact with insulation including spray foam insulation
- Install from below design
- Suitable for installation in many 3-1/2" and 4" octagon and round electrical junction boxes.
- Compatible with compact (pancake) junction boxes
- Installer must ensure compatibility of fit, wiring and proper mounting in the electrical junction box. This includes all applicable national and local electrical and building coded NEMA LSD 57-2013

WARRANTY

- Five year limited warranty, consult website for details. www.cooperlighting.com

COMPLIANCE

- UL certified for US and Canada
- Damp Location listed
- Suitable for use in clothes closets when installed in accordance with the NEC 410.16 spacing requirements.
- EMI/RFI emissions per FCC 47CFR Part 15B
- Contains no mercury or lead and RoHS compliant.
- Photometric testing in accordance with IES LM-79-08
- Lumen maintenance projections in accordance with IES LM-80-08 and TM-21-11.
- Can be used for State of California Title 24 high efficacy luminaire compliance, reference the California Energy Commission Title 20 Appliance Efficiency Database for current listings.
- Can be used for International Energy Conservation Code (IECC) and Washington State Energy Code high efficiency luminaire Compliance
- ENERGY STAR® Certified luminaire - consult ENERGY STAR® Certified Product List



HLC6

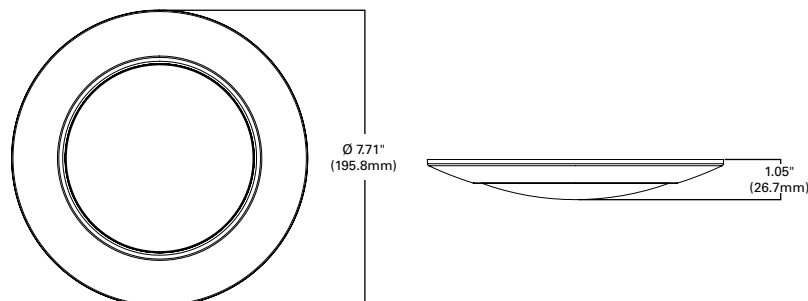
6-Inch LED Surface Luminaire

900 Lumen Series

Suitable for ceiling or wall electrical junction boxes

HIGH-EFFICACY LED WITH INTEGRAL DRIVER - DIMMABLE

DIMENSIONS



| ENERGY DATA | |
|---------------|--------------|
| Lumens | 925 @ 3000K |
| Input Voltage | 120V |
| Input Current | .133 (mA) |
| Input Power | 15.7 (W) |
| Efficiency | 58.8 LpW |
| Inrush | .133 (A) |
| THD | ≤ 29% |
| PF | ≥ 0.90 |
| T Ambient | -30° - +40°C |
| Sound Rating | ≤ 22dba |



Refer to ENERGY STAR® Certified Products List.
Can be used to comply with California Title 24 High Efficacy requirements.
Certified to California Appliance Efficiency Database under JA8.

ORDERING INFORMATION

SAMPLE NUMBER: HLC6099301EWH-6BP

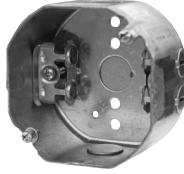
| Models | Lumens | CRI / CCT | Driver | Finish | Packaging |
|-----------------------------|-------------------------|---|--|------------------|---|
| HLC6 = 6" LED surface light | 09=900 lumens (nominal) | 930=90 CRI minimum, 3000K CCT 940=90 CRI minimum, 4000K CCT 950=90 CRI minimum, 5000K CCT | 1E = 120V, 60 Hz LE & TE phase cut 10% dimming | WH = matte white | -6BP = Qty 6 bulk pack (not for individual sale) -12BP = Qty 12 bulk pack (not for individual sale)* |

1. 3000K only

COMPATIBLE WITH COOPER LIGHTING SOLUTIONS' CROUSE-HINDS JUNCTION BOXES



TP316
for non-metallic cable
4" x 4" x 2-1/8"
(102mm x 102mm x 54mm)



TP317
for metal clad cable
4" x 4" x 2-1/8"
(102mm x 102mm x 54mm)

- TP316 - for non-metallic cable
- TP317 - for metal clad cable
- UL Listed
- Refer to www.crouse-hinds.com

COMPATIBLE WITH MANY OTHER JUNCTION BOXES*



4" octagon light fixture/fan steel box
4" x 4" x 2-1/8"
(102mm x 102mm x 54mm)



4" octagon steel box
4" x 4" x 1-1/2"
(102mm x 102mm x 38mm)



4" round new work non-metallic light fixture/fan box
4" diameter x 2-3/16"
(102mm x 56mm)



3-1/2" round new work non-metallic ceiling box
3-1/2" diameter x 2-3/4"
(89mm x 70mm)



3-1/2" round old work non-metallic box
4-1/4" O.D. flange, 3-1/2" I.D. x 2-5/8"
(108mm O.D., 89mm I.D. x 67mm)



4" round surface mount box
4" diameter x 1-1/2"
(102mm x 38mm)



4" round new work non-metallic box with hanger bar assembly
4" diameter x 2-3/16" (102mm x 56mm)

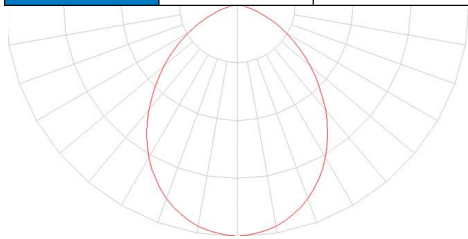


Round ceiling pan
4" diameter x 13/16"
(102mm x 21mm)

*This is a representative list of compatible junction boxes only. Information contained in this literature about other manufacturers' products is from published information made available by the manufacturer and is deemed to be reliable, but has not been verified. Cooper Lighting Solutions makes no specific recommendation on product selection and there are no warranties of performance or compatibility implied. Installer must determine that site conditions are suitable to allow proper installation of the mounting bracket in the box.

PHOTOMETRIC DATA

| HLC6099301EWH-6BP - 3000K | | |
|---------------------------|----------|----------|
| Luminaire lumens | 925 | |
| Input watts | 15.7 | |
| LER (LPW) | 59 | |
| Spacing Criteria | 0-180 | 1.28 |
| | 90-270 | 1.28 |
| | Diagonal | 1.4 |
| Beam angle (degrees) | 114.4 | |
| Field angle (degrees) | 166 | |
| Zonal lumen | Lumens | % Lumens |
| 0-30 | 242 | 26.2 |
| 0-40 | 397 | 42.9 |
| 0-60 | 708 | 76.6 |
| 0-90 | 920 | 99.5 |



* Tested in accordance with IES LM63. Field results may vary.

Color Metric Summary

| 3000K | | 4000K | | 5000K | |
|----------|---------------------|----------|---------------------|----------|---------------------|
| TM-30-15 | R _f = 87 | TM-30-15 | R _f = 88 | TM-30-15 | R _f = 90 |
| | R _g = 95 | | R _g = 96 | | R _g = 97 |
| CRI/CIE | R _a = 92 | CRI/CIE | R _a = 92 | CRI/CIE | R _a = 92 |
| | R ₉ = 60 | | R ₉ = 66 | | R ₉ = 62 |



| Catalog Number | CCT | Lumens | Power (W) | LPW |
|----------------|-------|--------|-----------|------|
| HLC6 | 3000K | 925 | 15.7 | 58.8 |
| | 4000K | 939 | 15.7 | 59.8 |
| | 5000K | 1048 | 15.7 | 66.8 |

Product Specifications

PRODUCT SPECIFICATIONS

| | |
|--|--------------|
| Lumens | 925 |
| Watts | 15.7 |
| Lumens Per Watt (Efficacy) | 58.8 |
| Color Accuracy (CRI) | 92 |
| Light Color (CCT) | 3000K |
| <small>Correlated Color Temperature (CCT)</small> | |
| | |
| <small>warm white 3000K soft white bright white</small> | |

PRODUCT SPECIFICATIONS

| | |
|--|--------------|
| Lumens | 939 |
| Watts | 15.7 |
| Lumens Per Watt (Efficacy) | 59.8 |
| Color Accuracy (CRI) | 92 |
| Light Color (CCT) | 4000K |
| <small>Correlated Color Temperature (CCT)</small> | |
| | |
| <small>warm white 3000K soft white bright white</small> | |

PRODUCT SPECIFICATIONS

| | |
|--|--------------|
| Lumens | 1048 |
| Watts | 15.7 |
| Lumens Per Watt (Efficacy) | 66.8 |
| Color Accuracy (CRI) | 92 |
| Light Color (CCT) | 5000K |
| <small>Correlated Color Temperature (CCT)</small> | |
| | |
| <small>warm white 3000K soft white bright white</small> | |