

HALO LED NON-IC HOUSING for NEW CONSTRUCTION

The H750T is a dedicated LED new construction housing to be used with designated HALO LED modules. The H750T is designed for non-insulated ceilings. If insulation is present it must be kept three inches from all sides of the housing. The AIRTITE™ housing design prevents airflow between conditioned and unconditioned spaces, saving on both heating and air conditioning costs. The LED connector system provides high efficacy code compliance when used with designated HALO LED modules and trims.

Catalog #		Type
Project		
Comments		Date
Prepared by		

DESIGN FEATURES

Housing

Aluminum with white semi-gloss paint finish.

Plaster Frame

Galvanized steel frame. Housing adjusts in plaster frame to accommodate up to 1" ceiling thickness. Regressed locking screw for securing hanger bars. Cutouts included for easily crimping hanger bars in position.

Slide-N-Side™ Junction Box

- Positioned to accommodate straight conduit runs.
- Seven 1/2" trade size conduit knockouts with true pry-out slots.
- Slide-N-Side wire traps allow non metallic sheathed cable to be installed without tools and without removing knockouts.
- Allows wiring connections to be made outside the box.
- Simply insert the cable directly into the trap after connections are made.
- Accommodates the following standard non-metallic sheathed cable type:
 - U.S. #14/2, #14/3, #12/2, 12/3
 - Canada: #14/2, #14/3, #12/2

GOT-NAIL!™ Pass-N-Thru™ Bar Hangers

Bar Hanger features include

- Pre-installed nail easily installs in regular lumber, engineered lumber and laminated beams.

- Safety and Guidance system prevents snagging, ensures smooth, straight nail penetration and allows bar hangers to be easily removed if necessary
- Automatic leveling flange aligns the housing and allows holding the housing in place with one hand while driving nails.
- Housing can be positioned at any point within 24" joist spans
- Score lines allow tool-free shortening for 12" joists and bar hangers do not need to be removed for shortening.
- Bar hangers may be repositioned 90° on plaster frame
- Integral T-bar clip snaps onto T-bars – no additional clips are required.

LED Module Connection

Halo LED modules simply install with a plug-in 120V-277V rated line voltage wiring connector (UL and CSA Listed Luminaire Disconnect).

This non-screw-base connection preserves the high efficacy rating and prevents use of low efficacy incandescent sources (see LED Module specifications).

Caution

Connection is rated for 120V and 277V input. Installer must verify LED module voltage is compatible with the applicable voltage input. If uncertain, consult a qualified electrician.

Labels

- UL/cUL Listed 1598 Luminaire
- CE Marking - "Conformité Européene" conformity with the Council of European Communities Directives, meeting internationally recognized compliance when used with ML56 Series LED modules
- Listed for Feed Through
- Listed for Damp Location
- Listed for Wet Location with select trims
- Rated for 20W maximum

Qualification

May be used with qualified Halo LED modules and designated trims for High Efficacy Luminaire Compliance:

- State of California Title 24
- International Energy Conservation Code (IECC)
- New York State Energy Conservation Construction Code - AIR-TITE™ Compliant
- Certified under ASTM-E283 standard for air-tight construction when used with ML56 series, RL56 series and ML7 series trims



H750T

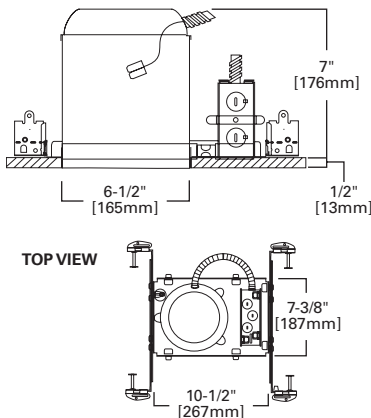
6" New Construction NON-IC AIR-TITE™ Housing For Halo LED Modules and Trims

- ML56 Series
- RL56 Series
- RA56 Series

High Efficacy LED Housing

FOR USE IN NON-INSULATED CEILINGS

CAN BE USED IN INSULATED CEILINGS BUT INSULATION MUST BE KEPT 3" FROM ALL SIDES OF THE HOUSING



Qualified and compliant with select trims. Refer to ENERGY STAR® Qualified Products List and CEC (T24) Appliance Database for listings.

ORDERING INFORMATION - RL56 SERIES

SAMPLE NUMBER: H750T - RL560WH6927
Order housing, light module, trim and separately.

Housing	RL56 LED - Compatible LED Retrofit Modules
<p>H750T= 6" Aperture, New Construction, Non-IC, AIR-TITE™, High Efficacy LED Housing</p>	<p>80 CRI RL560WH6827= 5"/6" Retrofit Baffle - Trim LED Module, 80CRI, 2700K, Matte White RL560SN6827= 5"/6" Retrofit Baffle - Trim LED Module, 80CRI, 2700K, Satin Nickel RL560WH6830= 5"/6" Retrofit Baffle - Trim LED Module, 80CRI, 3000K, Matte White RL560SN6830= 5"/6" Retrofit Baffle - Trim LED Module, 80CRI, 3000K, Satin Nickel RL560WH6835= 5"/6" Retrofit Baffle - Trim LED Module, 80CRI, 3500K, Matte White</p> <p>90 CRI RL560WH6927= 5"/6" Retrofit Baffle - Trim LED Module, 90CRI, 2700K, Matte White RL560SN6927= 5"/6" Retrofit Baffle - Trim LED Module, 90CRI, 2700K, Satin Nickel RL560WH6930= 5"/6" Retrofit Baffle - Trim LED Module, 90CRI, 3000K, Matte White RL560SN6930= 5"/6" Retrofit Baffle - Trim LED Module, 90CRI, 3000K, Satin Nickel RL560WH6935= 5"/6" Retrofit Baffle - Trim LED Module, 90CRI, 3500K, Matte White</p>

ORDERING INFORMATION - RA56 SERIES

SAMPLE NUMBER: H750T - RA5606927WH
Order housing, light module, trim and separately.

Housing	RA56 LED - Compatible LED Retrofit Modules
<p>H750T= 6" Aperture, New Construction, Non-IC, AIR-TITE™, High Efficacy LED Housing</p>	<p>Very Wide Flood - VWFL Models RA5606927WH= 5"/6" LED Adjustable Gimbal, 90CRI, 2700K, White, Very Wide Flood RA5606930WH= 5"/6" LED Adjustable Gimbal, 90CRI, 3000K, White, Very Wide Flood</p> <p>Narrow Flood - NFL Models RA5606927NFLWH= 5"/6" LED Adjustable Gimbal, 90CRI, 2700K, White, Narrow Flood RA5606930NFLWH= 5"/6" LED Adjustable Gimbal, 90CRI, 3000K, White, Narrow Flood</p>

ORDERING INFORMATION - ML56 SERIES

SAMPLE NUMBER: H750T - ML5606830 - 693WB
Order housing, light module, trim and separately.

Housing	ML56 LED Light Modules	ML56 LED Trims	ML56 System Accessories
<p>H750T= 6" Aperture, New Construction, Non-IC, AIR-TITE™, High Efficacy LED Housing</p>	<p>600 Series / 80 CRI ML5606827= 5"/6" LED Retrofit Downlight Light Module, 600 lumen, 80CRI, 2700K ML5606830= 5"/6" LED Retrofit Downlight Light Module, 600 lumen, 80CRI, 3000K ML5606835= 5"/6" LED Retrofit Downlight Light Module, 600 lumen, 80CRI, 3500K ML5606840= 5"/6" LED Retrofit Downlight Light Module, 600 lumen, 80CRI, 4000K</p> <p>600 Series / 90 CRI ML5606927= 5"/6" LED Retrofit Downlight Light Module, 600 lumen, 90CRI, 2700K ML5606930= 5"/6" LED Retrofit Downlight Light Module, 600 lumen, 90CRI, 3000K ML5606935= 5"/6" LED Retrofit Downlight Light Module, 600 lumen, 90CRI, 3500K ML5606940= 5"/6" LED Retrofit Downlight Light Module, 600 lumen, 90CRI, 4000K</p> <p>900 Series / 80 CRI ML5609827= 5"/6" LED Retrofit Downlight Light Module, 900 lumen, 80CRI, 2700K ML5609830= 5"/6" LED Retrofit Downlight Light Module, 900 lumen, 80CRI, 3000K ML5609835= 5"/6" LED Retrofit Downlight Light Module, 900 lumen, 80CRI, 3500K ML5609840= 5"/6" LED Retrofit Downlight Light Module, 900 lumen, 80CRI, 4000K</p> <p>900 Series / 90 CRI ML5609927= 5"/6" LED Retrofit Downlight Light Module, 900 lumen, 90CRI, 2700K ML5609930= 5"/6" LED Retrofit Downlight Light Module, 900 lumen, 90CRI, 3000K ML5609935= 5"/6" LED Retrofit Downlight Light Module, 900 lumen, 90CRI, 3500K ML5609940= 5"/6" LED Retrofit Downlight Light Module, 900 lumen, 90CRI, 4000K</p> <p>1200 Series / 80 CRI ML5612827= 5"/6" LED Light Module, 1200 lumen, 80CRI, 2700K ML5612830= 5"/6" LED Light Module, 1200 lumen, 80CRI, 3000K ML5612835= 5"/6" LED Light Module, 1200 lumen, 80CRI, 3500K ML5612840= 5"/6" LED Light Module, 1200 lumen, 80CRI, 4000K</p> <p>1200 Series / 90 CRI ML5612927= 5"/6" LED Light Module, 1200 lumen, 90CRI, 2700K ML5612930= 5"/6" LED Light Module, 1200 lumen, 90CRI, 3000K ML5612935= 5"/6" LED Light Module, 1200 lumen, 90CRI, 3500K ML5612940= 5"/6" LED Light Module, 1200 lumen, 90CRI, 4000K</p>	<p>690 Series - 6" LED Trims Non-Conductive "Dead Front" Baffles 691WB=6" LED Trim, Polymer "Dead-Front", Shallow White Baffle & Flange (For use with 600 Series LED Light Modules only)</p> <p>Reflectors 692SC=6" LED Downlight Trim, Specular Reflector & White Flange 692H=6" LED Downlight Trim, Haze Reflector & White Flange 692W=6" LED Downlight Trim, White Reflector & Flange</p> <p>Baffles 693WB=6" LED Downlight Trim, White Micro-Step Baffle & Flange 693BB=6" LED Downlight Trim, Black Micro-Step Baffle & Flange 693SNB=6" LED Downlight Trim, Satin Nickel Micro-Step Baffle & Flange 693TBZB=6" LED Downlight Trim, Tuscan Bronze Micro-Step Baffle & Flange</p> <p>Semi-Regressed Eyeballs 694WB=6" LED Directional Trim, White Eyeball, Baffle & Flange 694SNB=6" LED Directional Trim, Satin Nickel Eyeball, Baffle & Flange 694TBZB=6" LED Directional Trim, Tuscan Bronze Eyeball, Baffle & Flange</p> <p>Wall Wash 695WW=6" LED Downlight Trim, Wall Wash with Specular Kick Reflector & White Flange</p> <p>Shallow Baffle 696WB=6" LED Trim, White Shallow Baffle & Flange</p>	<p>ML56CLIP= 6" Friction Clip Kit - For use with non-torsion spring housings. 6" clips included.</p> <p>WW6955C= Wall Wash Insert - Specular Kick Reflector for 695WW (1 included with trim). For double wall washing or replacement.</p> <p>TRM690WH=6" LED Oversize Trim Ring for use with 59" series trims, White 6.9" I.D., 9.5" O.D. Ring slips over LED trim. Inset design allows 6" trim to fit into oversize ring for an even trim surface</p> <p>EBA560PK= Replacement screwbase adapter to LED disconnect with cap</p> <p>ML56-1200 Series Beam Forming Optic Media BFR56NFL=Beam forming reflector kit, narrow flood, 25° nominal BFR56MH=Media holder, accepts one 3.45" lens. Requires BFR56NFL & L345SF, order separately. L345SF=3.45" diameter soft focus lens. Requires BFR56NFL and BFR56MH, order separately.</p>