

HALO LED ICAT REMODEL HOUSING

The H750RICAT is a dedicated LED Remodel housing to be used with designated Halo LED modules. The H750RICAT is designed for remodel applications in insulated ceilings and can be in direct contact with ceiling insulation*. This AIR-TITE™ housing design prevents airflow between conditioned and unconditioned spaces and saves on both heating and air conditioning costs. The LED connector system provides High Efficacy code compliance when used with designated HALO LED modules and trims.

Catalog #		Type
Project		
Comments		Date
Prepared by		

DESIGN FEATURES

Housing

Single wall aluminum housing. Openings are gasketed for AIR-TITE™ installation. Can be used in 2"x 8" joist construction (with 1/2" or 5/8" ceiling material).

Slide-N-Side™ Junction Box

- Seven 1/2" trade size conduit knockouts with true pry-out slots.
- Slide-N-Side™ wire traps allow non-metallic sheathed cable to be installed without tools and without removing knockouts.
- Accepts a wider range of non-metallic sheathed cable - the standard cable types used in lighting for both US and Canada.
 - Allows wiring connections to be made outside the box.
 - Simply insert the cable directly into the trap after connections are made.
 - Accommodates the following standard non-metallic sheathed cable types.
 - (US) #14/2, #14/3, #12/2, #12/3
 - (Canada) #14/2, #14/3, #12/2

Remodel Springs

Four remodel clips secure housing and accommodate 1/2" and 5/8" ceiling material.

LED Module Connection

Halo LED modules simply install with a plug-in 120V-277V rated line voltage wiring connector (UL and CSA Listed Luminaire Disconnect). This non-screw-base connection preserves the high efficacy rating and prevents use of low efficacy incandescent sources.

Caution

Connection is rated for 120V and 277V input. Installer must verify LED module voltage is compatible with the applicable voltage input. If uncertain, consult a qualified electrician.

Labels

- UL/cUL Listed 1598 Luminaire
- CE Marking - "Conformité Européene" conformity with the Council of European Communities Directives, meeting internationally recognized compliance when used with ML56 Series LED modules
- Listed for Feed Through
- Listed for direct contact with insulation and combustible material*
- Listed for Damp Location
- Listed for Wet Location with select trims
- Rated for 20W maximum

Qualification

May be used with qualified Halo LED modules and designated trims for High Efficacy Luminaire Compliance:

- State of California Title 24
- International Energy Conservation Code (IECC)
- Washington State Energy Code
- New York State Energy Conservation Construction Code - AIR-TITE™ Compliant
- Certified under ASTM-E283 standard for air-tight construction



H750RICAT

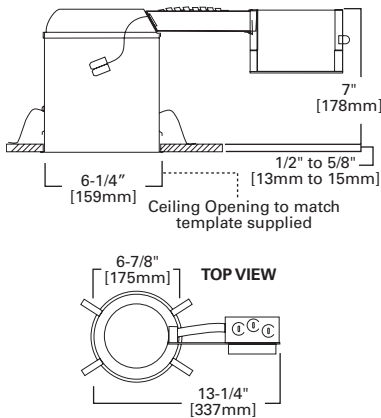
6" Remodel IC AIR-TITE™ Housing For Halo LED Modules and Trims
 - ML56 Series
 - RL56 Series
 - RA56 Series

High Efficacy LED Housing

FOR USE IN INSULATED CEILINGS

FOR DIRECT CONTACT WITH INSULATION*

TO BE INSTALLED FROM BELOW THE CEILING



Qualified and compliant with select trims. Refer to ENERGY STAR® Qualified Products List and CEC (T24) Appliance Database for listings.

* Not to be used in direct contact with spray foam insulation.

ORDERING INFORMATION - RL56 SERIES

SAMPLE NUMBER: H750RICAT - RL560WH6927
Order housing, light module, trim and separately.

Housing	RL56 LED - Compatible LED Retrofit Modules
<p>H750RICAT= 6" Aperture, Remodel, IC AIR-TITE™, High Efficacy LED Housing</p>	<p>80 CRI</p> <p>RL560WH6827= 5"/6" Retrofit Baffle - Trim LED Module, 80CRI, 2700K, Matte White RL560SN6827= 5"/6" Retrofit Baffle - Trim LED Module, 80CRI, 2700K, Satin Nickel RL560WH6830= 5"/6" Retrofit Baffle - Trim LED Module, 80CRI, 3000K, Matte White RL560SN6830= 5"/6" Retrofit Baffle - Trim LED Module, 80CRI, 3000K, Satin Nickel RL560WH6835= 5"/6" Retrofit Baffle - Trim LED Module, 80CRI, 3500K, Matte White</p> <p>90 CRI</p> <p>RL560WH6927= 5"/6" Retrofit Baffle - Trim LED Module, 90CRI, 2700K, Matte White RL560SN6927= 5"/6" Retrofit Baffle - Trim LED Module, 90CRI, 2700K, Satin Nickel RL560WH6930= 5"/6" Retrofit Baffle - Trim LED Module, 90CRI, 3000K, Matte White RL560SN6930= 5"/6" Retrofit Baffle - Trim LED Module, 90CRI, 3000K, Satin Nickel RL560WH6935= 5"/6" Retrofit Baffle - Trim LED Module, 90CRI, 3500K, Matte White</p>

ORDERING INFORMATION - RA56 SERIES

SAMPLE NUMBER: H750RICAT - RA5606927WH
Order housing, light module, trim and separately.

Housing	RA56 LED - Compatible LED Retrofit Modules
<p>H750RICAT= 6" Aperture, Remodel, IC AIR-TITE™, High Efficacy LED Housing</p>	<p>Very Wide Flood - VWFL Models</p> <p>RA5606927WH= 5"/6" LED Adjustable Gimbal, 90CRI, 2700K, White, Very Wide Flood RA5606930WH= 5"/6" LED Adjustable Gimbal, 90CRI, 3000K, White, Very Wide Flood</p> <p>Narrow Flood - NFL Models</p> <p>RA5606927NFLWH= 5"/6" LED Adjustable Gimbal, 90CRI, 2700K, White, Narrow Flood RA5606930NFLWH= 5"/6" LED Adjustable Gimbal, 90CRI, 3000K, White, Narrow Flood</p>

ORDERING INFORMATION - ML56 SERIES

SAMPLE NUMBER: H750RICAT - ML5606830 - 693WB
Order housing, light module, trim and separately.

Housing	ML56 LED Light Modules	ML56 LED Trims	ML56 System Accessories
<p>H750RICAT= 6" Aperture, Remodel, IC AIR-TITE™, High Efficacy LED Housing</p>	<p>600 Series / 80 CRI</p> <p>ML5606827= 5"/6" LED Retrofit Downlight Light Module, 600 lumen, 80CRI, 2700K ML5606830= 5"/6" LED Retrofit Downlight Light Module, 600 lumen, 80CRI, 3000K ML5606835= 5"/6" LED Retrofit Downlight Light Module, 600 lumen, 80CRI, 3500K ML5606840= 5"/6" LED Retrofit Downlight Light Module, 600 lumen, 80CRI, 4000K</p> <p>600 Series / 90 CRI</p> <p>ML5606927= 5"/6" LED Retrofit Downlight Light Module, 600 lumen, 90CRI, 2700K ML5606930= 5"/6" LED Retrofit Downlight Light Module, 600 lumen, 90CRI, 3000K ML5606935= 5"/6" LED Retrofit Downlight Light Module, 600 lumen, 90CRI, 3500K ML5606940= 5"/6" LED Retrofit Downlight Light Module, 600 lumen, 90CRI, 4000K</p> <p>900 Series / 80 CRI</p> <p>ML5609827= 5"/6" LED Retrofit Downlight Light Module, 900 lumen, 80CRI, 2700K ML5609830= 5"/6" LED Retrofit Downlight Light Module, 900 lumen, 80CRI, 3000K ML5609835= 5"/6" LED Retrofit Downlight Light Module, 900 lumen, 80CRI, 3500K ML5609840= 5"/6" LED Retrofit Downlight Light Module, 900 lumen, 80CRI, 4000K</p> <p>900 Series / 90 CRI</p> <p>ML5609927= 5"/6" LED Retrofit Downlight Light Module, 900 lumen, 90CRI, 2700K ML5609930= 5"/6" LED Retrofit Downlight Light Module, 900 lumen, 90CRI, 3000K ML5609935= 5"/6" LED Retrofit Downlight Light Module, 900 lumen, 90CRI, 3500K ML5609940= 5"/6" LED Retrofit Downlight Light Module, 900 lumen, 90CRI, 4000K</p> <p>1200 Series / 80 CRI</p> <p>ML5612827= 5"/6" LED Light Module, 1200 lumen, 80CRI, 2700K ML5612830= 5"/6" LED Light Module, 1200 lumen, 80CRI, 3000K ML5612835= 5"/6" LED Light Module, 1200 lumen, 80CRI, 3500K ML5612840= 5"/6" LED Light Module, 1200 lumen, 80CRI, 4000K</p> <p>1200 Series / 90 CRI</p> <p>ML5612927= 5"/6" LED Light Module, 1200 lumen, 90CRI, 2700K ML5612930= 5"/6" LED Light Module, 1200 lumen, 90CRI, 3000K ML5612935= 5"/6" LED Light Module, 1200 lumen, 90CRI, 3500K ML5612940= 5"/6" LED Light Module, 1200 lumen, 90CRI, 4000K</p>	<p>690 Series - 6" LED Trims</p> <p>Non-Conductive "Dead Front" Baffles</p> <p>691WB=6" LED Trim, Polymer "Dead-Front", Shallow White Baffle & Flange (For use with 600 Series LED Light Modules only)</p> <p>Reflectors</p> <p>692SC=6" LED Downlight Trim, Specular Reflector & White Flange 692H=6" LED Downlight Trim, Haze Reflector & White Flange 692W=6" LED Downlight Trim, White Reflector & Flange</p> <p>Baffles</p> <p>693WB=6" LED Downlight Trim, White Micro-Step Baffle & Flange 693BB=6" LED Downlight Trim, Black Micro-Step Baffle & Flange 693SNB=6" LED Downlight Trim, Satin Nickel Micro-Step Baffle & Flange 693TBZB=6" LED Downlight Trim, Tuscan Bronze Micro-Step Baffle & Flange</p> <p>Semi-Regressed Eyeballs</p> <p>694WB=6" LED Directional Trim, White Eyeball, Baffle & Flange 694SNB=6" LED Directional Trim, Satin Nickel Eyeball, Baffle & Flange 694TBZB=6" LED Directional Trim, Tuscan Bronze Eyeball, Baffle & Flange</p> <p>Wall Wash</p> <p>695WW=6" LED Downlight Trim, Wall Wash with Specular Kick Reflector & White Flange</p> <p>Shallow Baffle</p> <p>696WB=6" LED Trim, White Shallow Baffle & Flange</p>	<p>ML56CLIP= 6" Friction Clip Kit - For use with non-torsion spring housings. 6" clips included.</p> <p>WW6955C= Wall Wash Insert - Specular Kick Reflector for 695WW (1 included with trim). For double wall washing or replacement.</p> <p>TRM690WH= 6" LED Oversize Trim Ring for use with 59" series trims, White 6.9" I.D., 9.5" O.D. Ring slips over LED trim. Inset design allows 6" trim to fit into oversize ring for an even trim surface</p> <p>EBA560PK= Replacement screwbase adapter to LED disconnect with cap</p> <p>ML56-1200 Series Beam Forming Optic Media</p> <p>BFR56NFL=Beam forming reflector kit, narrow flood, 25° nominal BFR56MH=Media holder, accepts one 3.45" lens. Requires BFR56NFL & L345SF, order separately. L345SF=3.45" diameter soft focus lens. Requires BFR56NFL and BFR56MH, order separately.</p>

Solite® is a registered trademark of AGC Flat Glass North America.