

DESCRIPTION

Metal baffle trim for use with the H5 series housings. Trim includes dual position socket supports for BR, R and PAR lamps.

Catalog #		Type
Project		
Comments		Date
Prepared by		

SPECIFICATION FEATURES

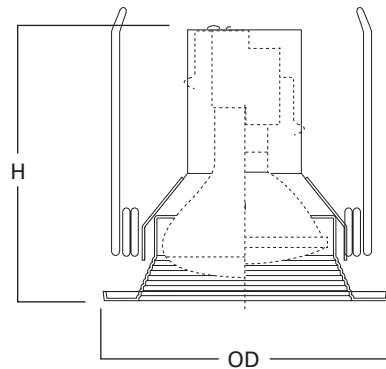
Torsion springs pull trim tight to ceiling. Straight sided trim ring coordinates with Halo small aperture trims.

Lamp Listings - Incandescent

H5ICAT	50W R20, 50W PAR20, 65W BR30
H5RICAT	
H5T	50W R20, 50W PAR20, 65W BR30, 75W R30, 75W PAR30
H5RT	

Lamp Listings - GU24

H524ICAT	CF15/R30/GU24
H524ICATL	
H524RICAT	CF13/GU24 (spiral)
H524RICATL	



Height: 6-1/8" [152mm]
Outside Diameter: 6-3/8" [162mm]



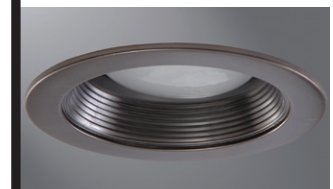
5001P
White Trim, White Baffle



5001MB
White Trim, Black Baffle



5001SN
Satin Nickel Trim,
Satin Nickel Baffle



5001TBZ
Tuscan Bronze Trim,
Tuscan Bronze Baffle

ORDERING INFORMATION

Trim	Finish	Accessories
<input type="text"/>	<input type="text"/>	<input type="text"/>
5001 = 5" Baffle trim	P = White trim ring with white baffle MB = White trim ring with black baffle SN = Satin nickel trim ring with satin nickel baffle TBZ = Tuscan bronze trim ring with tuscan bronze baffle	OT500P = 5" Oversize trim ring - white

5001

5-Inch Baffle