

DESCRIPTION

The H27T housing is designed for use in shallow ceilings where 2" x 6" joist construction is used. The wide variety of trims available allows a number of different lighting effects to be created with one basic housing.

APPLICATION

The H27T is designed for non-insulated shallow ceilings. If ceiling insulation is present, it must be kept 3" from the fixtures on all sides.

DESIGN FEATURES

A...Housing

Die-stamped 20 gauge CRS with white powder coat finish.

B...Socket Plate

Rigid socket plate adjusts and locks without tools for various lamp sizes.

C...Plaster Frame

Housing adjusts in plaster frame 1 3/8" to accommodate different ceiling thicknesses. Includes locking screws for hanger bars and cutouts for crimping hanger bars in position.

D...Junction Box

U.L. listed for through branch circuit wiring. Positioned to accommodate straight conduit runs. Seven conduit knockouts are uniform 1/2" size with true pryout slots. Four Romex pryouts with integral strain relief also included.

E...GOT NAIL! Pass-N-Thru™ Bar Hangers

Bar Hanger Features include:

- Pre-installed nail easily installs in regular lumber, engineered lumber and laminated beams
- Safety and guidance system prevents snagging, ensures smooth straight nail penetration and allows bar hangers to be easily removed if necessary.
- Automatic levelling flange aligns the housing and lets you hold the housing in place with one hand while driving nails
- Housing can be positioned at any point within 24" joist span
- Score lines allow "toolless" shortening for 12" joists
- Bar hangers may be repositioned 90°
- Bar hangers do not need to be removed from frame for shortening
- Integral T-bar clips snaps onto T-bars - no additional clips required

F...Socket

Porcelain socket with nickel plated brass screw shell.

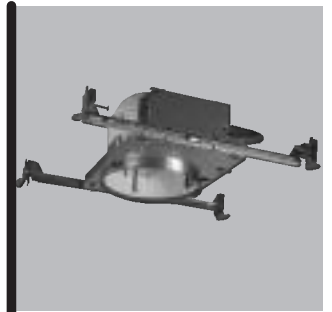
G...Thermal Protector

Integral Thermal Protector deactivates fixture if an incorrect lamp is used or if ceiling insulation material is not applied correctly.

Labels

- U.L. listed for Damp Location
- U.L. listed for Feed Through
- H27ICAT meets restricted airflow requirements
- CSA Certified

Catalog #	Type
Project	
Comments	
Prepared by	Date



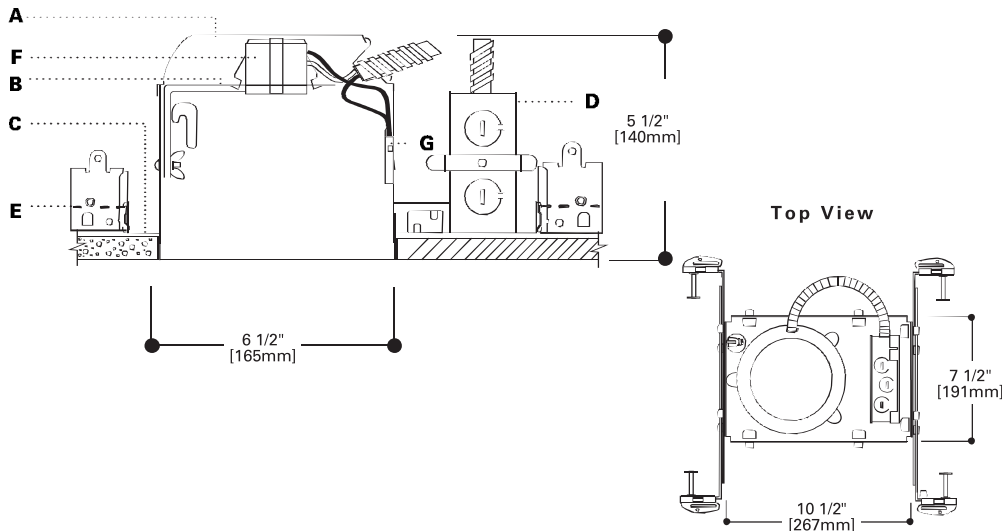
H27T

6" Non-Insulated Ceiling Recessed Housing

6" TRIMS

FOR USE IN NON-INSULATED CEILINGS

FOR USE IN INSULATED CEILINGS BUT INSULATION CAN BE KEPT 3" FROM ALL SIDES OF HOUSING



UPGRADE FEATURES:

- SLIDE-N-SIDE™ JUNCTION BOX
- GOT NAIL!™ BAR HANGERS
- PASS-N-THRU™ BAR HANGERS
- REGRESSED LOCKING SCREW
- HALO ID ON PLASTER FRAME

Ordering Information on reverse.

TRIMS

ORDERING INFORMATION

SAMPLE NUMBER: H27T-426RG

Order housing, trim and accessories separately.

Housing

H27T=7" Non-Insulated
Shallow Ceiling
Housing

Trims

Accessories

REFLECTORS



426

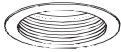


429



4261

BAFFLES



310

ADJUSTABLES



74



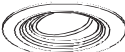
77



78



90



376



378



419



420

**Specular Reflector Cone
100W R30**

426=Specular Clear
426H=Haze
426RG=Residential Gold
426CG=Champagne Gold
426MB=Specular Black
OD: 7 1/4" (184mm)

**Dayform White Cone
75W R30**

429P=White Cone
OD: 7 1/4" (184mm)

**Self Flanged Reflector Cone
100W R30**

4261P=White Self Flanged Reflector
Cone
OD: 7 1/4" (184mm)

Baffle

75W R30
310P=Black Baffle
310W=White Baffle
OD: 7 1/4" (184mm)

**Eyeball - 30° Tilt
75W PAR30**

74P=White Eyeball
OD: 8" (203mm)

**Eyeball
50W R20, 50W PAR20**

77P=White Eyeball
OD: 8" (203mm)

**Eyeball - 30° Tilt
75W R30, 75W PAR30**

78P=White Eyeball
78SL=Silver Eyeball
78B=Brass Eyeball
78PB=Polished Brass Eyeball
78PAT=White AIR-TITE Eyeball
OD: 8" (203mm)

**Double Bubble - 60° Tilt
250W PAR38**

90P=White Double Bubble Adjustable
OD: 8" (203mm)

**Adjustable
75W PAR30**

376P=Black Baffle, Black Lampholder,
White Trim Ring
OD: 7 1/4" (184mm)

**Adjustable with Splay Reflector
75W PAR30**

378=White Lampholder with Clear
Splay
378P=White Lampholder with White
Splay
OD: 7 3/4" (197mm)

**Regressed Eyeball with Splay
75W PAR30**

419=White Eyeball with Clear Splay
419P=White Eyeball with White Splay
OD: 7 1/4" (184mm)

**Coilex Baffle Eyeball
75W BR30, 75W PAR30L**

420P=White Eyeball with Black Baffle
420PB=Polished Brass Eyeball with
Black Baffle
420W=White Eyeball with White Baffle
OD: 7 1/4" (184mm)

LENS



70, 170



71, 171



73, 173



75

OPEN



79



301



328

**Albalite Lens
60W A19**

70P=Albalite Lens with White Trim
Ring
OD: 8" (203mm)

**Albalite Lens
60W A19**

170P=Albalite Lens with White Trim
Ring-Socket Supporting
OD: 8" (203mm)

**Drop Opal Lens
60W A19**

71P=Drop Opal Lens with White Trim
Ring
OD: 8" (203mm)

**Drop Opal Lens
60W A19**

171P=Drop Opal Lens with White
Trim Ring - Socket Supporting
OD: 8" (203mm)

**Fresnel Lens
60W A19**

73P=Fresnel Lens with White Trim
Ring
OD: 8" (203mm)

**Fresnel Lens
60W A19**

173P=Fresnel Lens with White Trim
Ring - Socket Supporting
OD: 8" (203mm)

**All-Glas
60W A19**

75=All-Glas Diffuser
OD: 7 3/4" (197mm)

Pinhole Trim

75W PAR30, 65W BR30
79P=White Pinhole Trim
OD: 8" (203mm)

Open

75W R30
301P=White Open Trim
301PB=Polished Brass Open Trim
OD: 8" (203mm)

Splay Trim

100W R30, 75W PAR30, 65W BR30
328P=White Splay Trim
OD: 7 1/4" (184mm)

Metal Trim Rings

Compatible with 310, 312, 376, 378,
426, 419, 420

TRM6P=White Metal
TRM6PB=Polished Brass

TRM6C=Chrome

TRM6MB=Black Metal

TRM6SL=Silver Metal

TRP7MB=Black Plastic

Oversize Trim Rings

For use when ceiling opening is cut
too large. Compatible with 310, 312,
376, 378, 419, 420, 426, 429

OT400P=9 1/4" White Metal

OT403P= 8" White Plastic

Step Down Transformer

Steps 277V line voltage down to
120V fixture operating voltage.
150VA max.

H277=150VA Max.

Power-Trac Adapter Trim

Allows 120V Trac lampholders
(150W Max.) to be used with
recessed installations

477P=Black Baffle, white trim ring
477W=White Baffle, white trim ring

Note: Specifications and Dimensions subject to change without notice.

Visit our web site at www.cooperlighting.com