

**DESCRIPTION**

Adjustable eyeball for use with PAR lamp in H5 series housings. Gimbal adjusts up to 30° from horizontal.

<b>Catalog #</b>		<b>Type</b>
<b>Project</b>		
<b>Comments</b>		<b>Date</b>
<b>Prepared by</b>		

**DESIGN FEATURES**

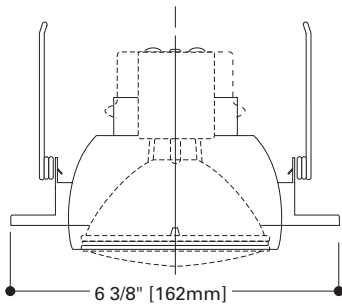
Torsion springs pull trim tight to ceiling. Straight sided trim ring coordinates with die cast Halo 3" and 4" trims.

**LAMP LISTINGS**

**H51CAT** 75W PAR30  
**H5RICAT**

**H251CAT** 75W PAR30

**H5T** 75W PAR30  
**H5RT**



**75W PAR30SP 1100 Lumens**

D	FC	L x W	S
2	568	1 1	1
3	252	2 2	2
4	142	3 2	2
5	91	3 3	3
6	63	4 3	3

Based on typical bare lamp data



**5070P**  
White



**5070PB**  
Polished Brass



**5070SL**  
Silver



**5070SN**  
Satin Nickel



**5070AC**  
Antique Copper



**5070TBZ**  
Tuscan Bronze

**5070**  
5" Adjustable  
Eyeball

ADV071147  
6/07

**Trim**

**5070**=5" Adjustable Eyeball Trim

**Finish**

**P**=White Trim Ring with White Eyeball  
**PB**=Polished Brass Trim Ring with Polished Brass Eyeball  
**SL**=Silver Trim Ring with Silver Eyeball  
**SN**=Satin Nickel Trim Ring with Satin Nickel Eyeball  
**AC**=Antique Copper Trim Ring with Antique Copper Eyeball  
**TBZ**=Tuscan Bronze Trim Ring with Tuscan Bronze Eyeball

**Accessory**

**OT500P**=5" Oversize Trim Ring - White

Note: Specifications and Dimensions subject to change without notice.

Visit our web site at [www.cooperlighting.com](http://www.cooperlighting.com)