

DESCRIPTION

Reflector Cone trim for use with the H5 series housings. Reflector with dual position socket support for BR30 or PAR lamps.

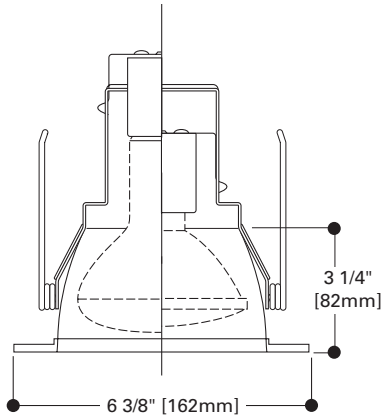
Catalog #		Type
Project		
Comments		Date
Prepared by		

DESIGN FEATURES

Torsion springs pull trim tight to ceiling. Straight sided trim ring coordinates with die cast Halo 3' and 4" trims.

LAMP LISTINGS

H5ICAT	60W BR30, 75W PAR30
H5RICAT	50W PAR30, 50W PAR30L, 60W BR30
H5RT H5RT	65W BR30, 75W R30, 75W PAR30

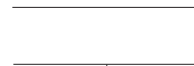


PHOTOMETRICS

H5T-5020SC 75W PAR30FL 1100 Lumens			H5T-5020SC 75W R30FL 900 Lumens		
Dia	FC	Work Plane	FC	Dia	
3'0"	78	5'6"	14	6'0"	
4'0"	56	6'6"	10	7'0"	
5'0"	37	8'0"	7	9'0"	
6'0"	23	10'0"	4	11'0"	
7'0"	16	12'0"	3	13'0"	

Test Nos. H36035 and H36049
Work Plane is 2 1/2 ft above floor
Dia of circle is 50% of max footcandles directly under fixture

Trim



5020=5" Reflector Cone Trim

Finish



SC=White Trim Ring with Specular Clear Reflector
P=White Trim Ring with White Reflector
RG=White Trim Ring with Residential Gold Reflector
BL=White Trim Ring with Black Reflector
H=White Trim Ring with Haze Reflector
SN=Satin Nickel Trim Ring with Satin Nickel Reflector
AC=Antique Copper Trim Ring with Antique Copper Reflector
TBZ=Tuscan Bronze Trim Ring with Tuscan Bronze Reflector

Accessory



OT500P=5" Oversize Trim Ring



5020SC
White with Clear Reflector



5020H
White with Haze Reflector



5020P
White with White Reflector



5020RG
White w/ Residential Gold Reflector



5020BL
White with Black Reflector



5020SN
Satin Nickel



5020AC
Antique Copper



5020TBZ
Tuscan Bronze

5020
5" Reflector Cone

AD071129
6/07

Note: Specifications and Dimensions subject to change without notice.

Visit our web site at www.cooperlighting.com