

DESCRIPTION

Splay trim for use with R and PAR lamps in H5 series housings. Dual position socket support for R and PAR lamps.

| | | |
|--------------------|--|-------------|
| Catalog # | | Type |
| Project | | |
| Comments | | Date |
| Prepared by | | |

DESIGN FEATURES

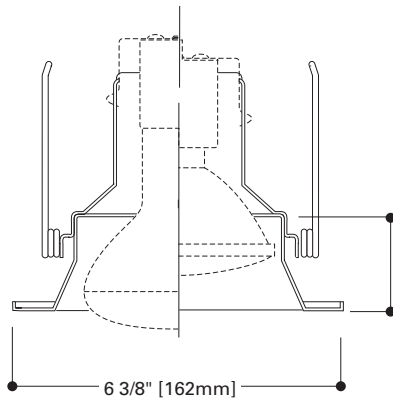
Torsion springs pull trim tight to ceiling.
Straight sided trim ring coordinates with die cast Halo 3" and 4" trims.

LAMP LISTINGS

H51CAT 65W BR30, 75W R30, 75W PAR30
H5RICAT

H251CAT 50W PAR30L, 50W PAR30, 60W BR30

H5T 75W R30, 75W PAR30,
H5RT 50W R20, 50W PAR20



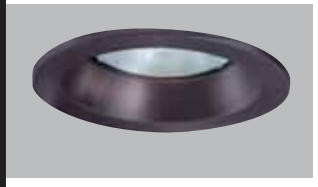
5000P
White with White Splay



5000SN
Satin Nickel



5000AC
Antique Copper



5000TBZ
Tuscan Bronze

5000
5" Splay Trim

| H5T-5000 50W PAR30FL 1100 Lumens | | | H5T-5000 50W R30FL 900 Lumens | | |
|--|----|------------|-------------------------------------|-------|--|
| Dia | FC | Work Plane | FC | Dia | |
| 3'0" | 86 | 5'6" | 15 | 6'0" | |
| 4'0" | 62 | 6'6" | 11 | 7'0" | |
| 5'0" | 41 | 8'0" | 7 | 8'0" | |
| 6'0" | 26 | 10'0" | 5 | 10'0" | |
| 7'0" | 18 | 12'0" | 3 | 12'0" | |

Based on Bare Lamp Data
Work Plane is 2 1/2 ft above floor
Dia of circle is 50% of max footcandles directly under fixture

Trim

5000=5" Splay Trim

Finish

P=White Trim Ring with White Splay
SN=Satin Nickel Trim Ring with Satin Nickel Splay
AC=Antique Copper Trim Ring with Antique Copper Splay
TBZ=Tuscan Bronze Trim Ring with Tuscan Bronze Splay

Accessory

OT500P=5" Oversize Trim Ring - White