
HALO LIGHTING CAULKING INSTRUCTION SHEET

1. USE GLASERS CAULKING OR SILICONE CAULKING (SUPPLIED BY OTHERS)
2. CAULK A CONTINUOUS FULL BEAD ON ALL FOUR SIDES AS SHOWN IN FIGURE #1
3. INSTALL FIXTURE IN WALL OPENING MAKING SURE THAT FACE SURFACE IS KEPT CLEAN AND FREE OF CAULKING

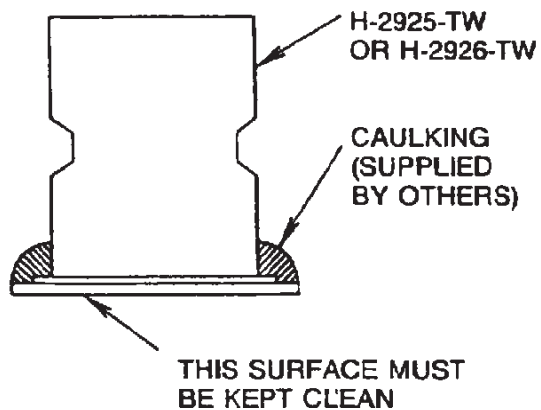


FIGURE #1