

INSTALLATION INSTRUCTIONS FOR H-2925 & H-2926 BRICK LIGHTS

WARNING For your safety read and understand instructions completely before starting installation. Before wiring to power supply, turn off electricity at the fuse or circuit breaker box.

Halo recessed fixtures are designed to meet the latest NEC requirements and are UL listed in full compliance with UL 1571. Before attempting installation of any recessed lighting fixture, check your local electrical code. This code sets the wiring standards for your locality and should be carefully studied before starting work.

If fixture is to be switched from wall switch, make sure that black power supply wire is connected to the switch. DO NOT connect the white supply wire to the switch.

Before completing installation to make sure that fixture is properly grounded, there are no bare wires exposed outside the wire nut, and that wire insulation is not damaged during installation.

MASONRY INSTALLATION

NOTE Fixture is designed to replace a brick in a masonry wall.

STEP 1 Using glaziers caulking or silicone caulking (supplied by others), caulk a continuous full bead on all four sides as shown in Figure 1.

STEP 2 Install fixture in wall opening making sure that face surface is kept clean and free of caulking.

FRAME CONSTRUCTION INSTALLATION

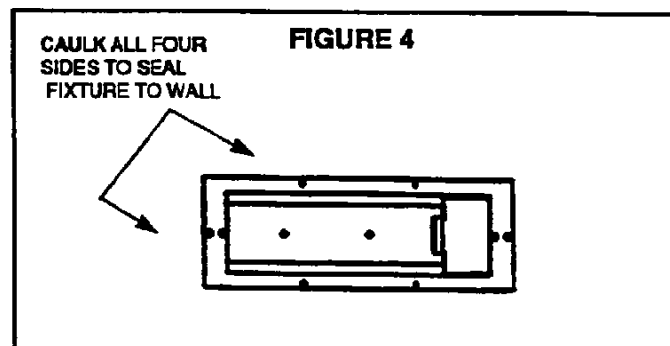
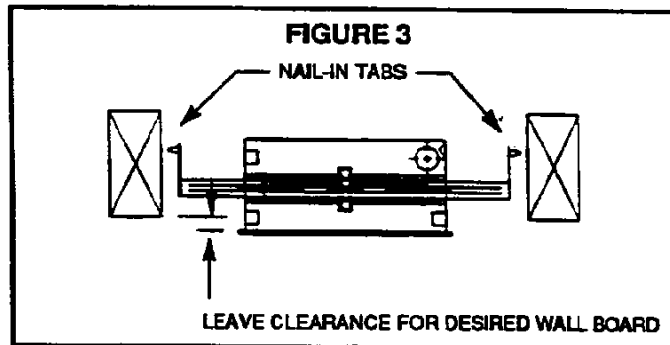
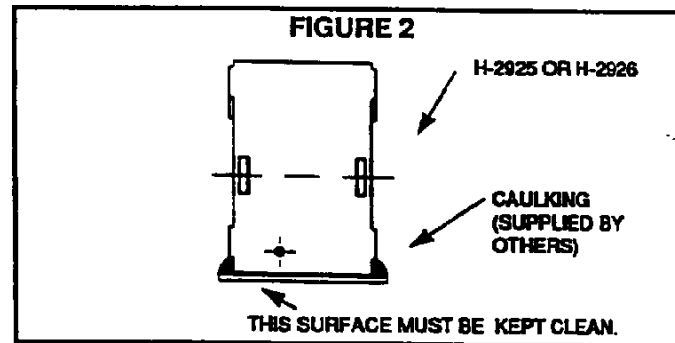
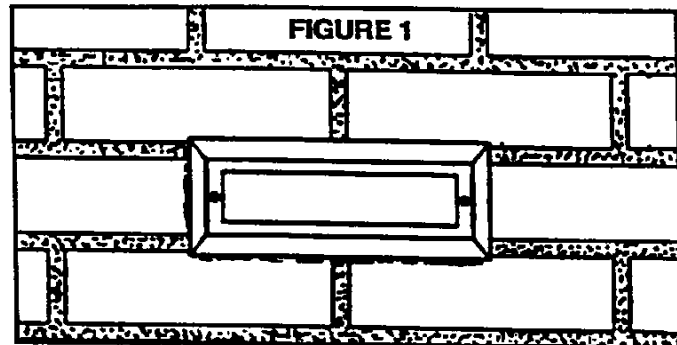
STEP 1 Insert bar hangers into fixture making sure that nail-in tabs point away from housing.

STEP 2 Extend bar hangers to fit between studs. Position fixture temporarily by hammering nail-in tabs into studs. (Figure 2)

NOTE Make sure there is clearance between back of fixture flange and studs for the installation of wall board and coverings.

STEP 3 Secure bar hangers permanently into studs with nails (not included).

STEP 4 Using glaziers caulking or silicone caulking (supplied by others), caulk a continuous full bead on all four sides making sure seal is watertight.



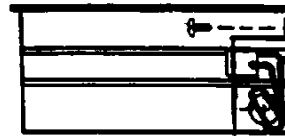
INSTALLATION INSTRUCTIONS FOR H-2925 & H-2926 BRICK LIGHTS.

ELECTRICAL CONNECTION

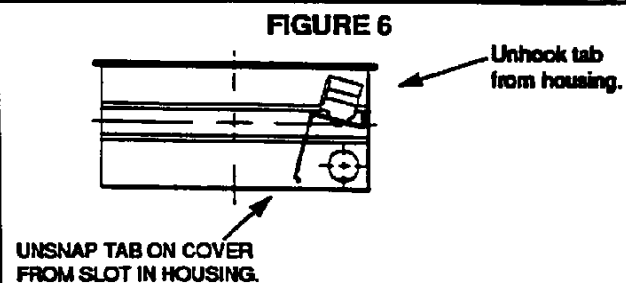
- STEP 1** Provide electrical service according to the NEC or your local electrical code from a suitable junction box to the wiring box located in the fixture.
- STEP 2** Remove the wiring box cover. On incandescent fixtures, remove screw holding cover to housing. (see figure 4) On compact fluorescent fixtures, insert a screwdriver between wiring box cover and housing. Twist screwdriver so tab on cover clears slot in housing. Unhook second tab on cover from side of housing. (see figure 5)
- STEP 3** Remove appropriate knockout on housing to accommodate conduit and connector (not included).
- STEP 4** Connect conduit (not included) from junction box to fixture wiring box. Secure conduit with connectors (not included) at junction box and fixture.
- STEP 5** Connect supply wires to socket leads. Twist black supply wire to black socket lead and white supply wire to white socket lead. Insulate connections by placing wire nut connector (not included) over twisted white wires and tightening. Repeat procedure for black wires.
- STEP 6** Connect green ground wire from wiring box to green ground wire from electrical service. Splice wires together by repeating step 5 above.
- STEP 7** Place all wiring connections into wiring box. Replace wiring box cover by reversing step 2 above.
- STEP 8** Insert appropriate bulb. Install fixture cover using screws provided.
- NOTE:** Fixture is also supplied with tamperproof screws which require a special screwdriver to install. Screwdriver may be purchased separately under Halo part number SD-2925.

REMOVE SCREW THAT HOLDS WIRING BOX COVER TO HOUSING.

FIGURE 5



FOR INCANDESCENT FIXTURE



FOR COMPACT FLUORESCENT FIXTURE

WIRING DIAGRAMS

