



Powering Business Worldwide



Versatility... The Real Beauty of Track Lighting

Versatility has always been the hallmark of track lighting. The modular construction of track and the adjustment capabilities of track lampholders have allowed the lighting designer to place light exactly where needed and to easily adapt to changing display needs and retail configurations.

The increasing awareness of energy usage has led to stringent legislation mandating rigid "watts-per-foot" requirements for track lighting. This led lighting designers to look for alternatives to track lighting, which was thought to be difficult to quantify and control in terms of energy usage. The Halo Track Current Limiter, even under tough legislative standards, makes it easy to understand and specify track lighting.

With the Halo Track Current Limiter, energy consumption can be controlled to exact requirements. Circuit breakers become an integral part of the track system and can be selected from 120 watts up to 1200 watts. Should the track section exceed its load rating, the circuit breaker trips and shuts off power to that track section ensuring compliance with load requirements.

Control is added and the real beauty of track lighting...versatility ...is restored.



Features and Benefits

- End-feed and Center-feed capable:
 - Halo Power-Trac one and two-circuit track systems
 - Lazer one-circuit track system.
- Five breaker sizes are available. Consult factory if other sizes are required.
- Can be utilized on hard or grid ceilings.
- Can be used with pendant suspended track.
- Breaker can be used as an on-off switch.
- Breaker features a "tripped" condition indicator.
- Feeds employing two circuit breakers do not require breakers to be the same size. Each breaker can be sized according to desired load.
- cULus Listed
- Halo single circuit and two circuit current limiters can be used to comply with CA T24 efficacy requirements.



Feeds and Circuit Breaker Types

Power-Trac Single Circuit

LC901P, MB	End feed connector and housing, White/ Black
LC903P, MB	Center feed connector and housing, White/ Black

Power-Trac Two Circuit

LC941P, MB	End feed connector and housing, White/ Black
LC943P, MB	Center feed connector and housing, White/ Black

Lazer

LZRC201P, MB	End feed connector and housing, White/ Black
LZRC203P, MB	Center feed connector and housing, White/ Black

Circuit Breakers

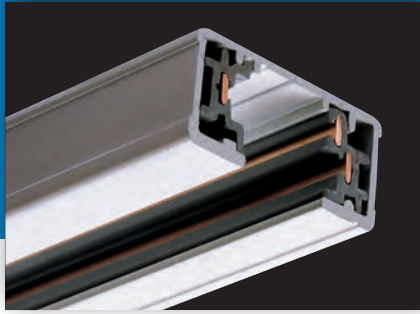
CB120P, MB	Circuit breaker	1 amp	@	120V = 120W
CB300P, MB	Circuit breaker	2.5 amp	@	120V = 300W
CB600P, MB	Circuit breaker	5 amp	@	120V = 600W
CB960P, MB	Circuit breaker	8 amp	@	120V = 960W
CB1200P, MB	Circuit breaker	10 amp	@	120V = 1200W

Color Codes:

P = White
MB = Black

Halo Power-Trac

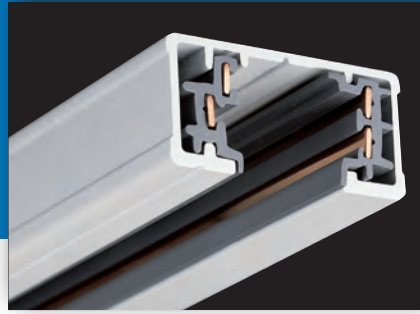
Single Circuit



L650=2' track
L651=4' track
L652=8' track
L653=12' track

Halo-2 Power-Trac

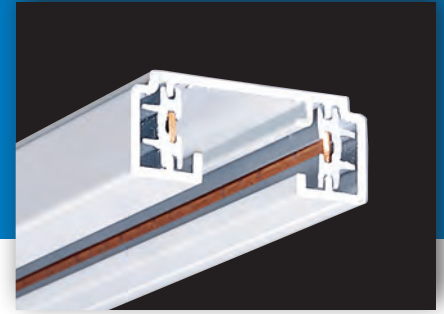
Two Circuit



L641=4' track
L642=8' track
L643=12' track

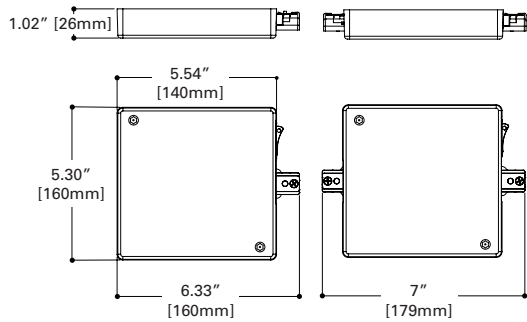
Lazer Track

Single Circuit



LZR102=2' track
LZR104=4' track
LZR106=6' track
LZR108=8' track

Halo Power-Trac Single Circuit Current Limiter

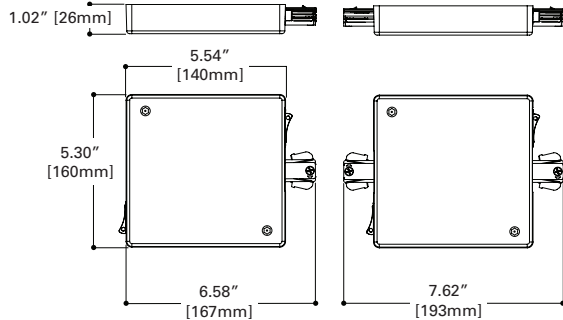


Sample Number: **LC901CB120P**
(Field assembly of feed and circuit breaker required.)

Feed Type	Circuit 1 Breaker	Finish
LC901= Halo Power-Trac 1-Circuit End Feed	CB120= 120W (1A @ 120V)	P= White
LC903= Halo Power-Trac 1-Circuit Center Feed	CB300= 300W (2.5A @ 120V)	MB= Black
	CB600= 600W (5A @ 120V)	
	CB960= 960W (8A @ 120V)	
	CB1200= 1200W (10A @ 120V)	

Consult factory for single circuit center-feed requiring two circuit breakers.

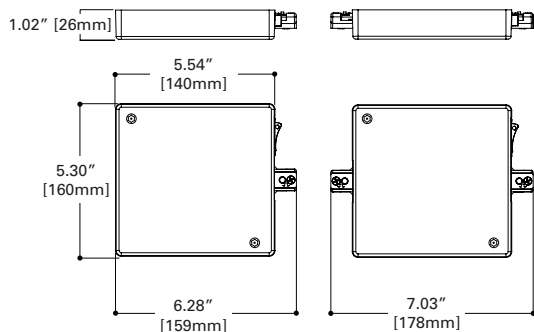
Halo-2 Power-Trac Two Circuit Current Limiter



Sample Number: **LC941CB120CB600P**
(Field assembly of feed and circuit breaker required.)

Feed Type	Circuit 1 Breaker	Circuit 2 Breaker	Finish
LC941= Halo Power-Trac 2-Circuit End Feed	CB120= 120W (1A @ 120V)	Blank= No Breaker Required	P= White
LC943= Halo Power-Trac 2-Circuit Center Feed	CB300= 300W (2.5A @ 120V)	CB120= 120W (1A @ 120V)	MB= Black
	CB600= 600W (5A @ 120V)	CB300= 300W (2.5A @ 120V)	
	CB960= 960W (8A @ 120V)	CB600= 600W (5A @ 120V)	
	CB1200= 1200W (10A @ 120V)	CB960= 960W (8A @ 120V)	
		CB1200= 1200W (10A @ 120V)	

Lazer Single Circuit Current Limiter



Sample Number: **LZRC201CB120P**
(Field assembly of feed and circuit breaker required.)

Feed Type	Circuit 1 Breaker	Circuit 2 Breaker	Finish
LZRC201= Lazer 1-Circuit End Feed	CB120= 120W (1A @ 120V)	Blank= No Breaker Required	P= White
LZRC203= Lazer 1-Circuit Center Feed	CB300= 300W (2.5A @ 120V)	CB120= 120W (1A @ 120V)	MB= Black
	CB600= 600W (5A @ 120V)	CB300= 300W (2.5A @ 120V)	
	CB960= 960W (8A @ 120V)	CB600= 600W (5A @ 120V)	
	CB1200= 1200W (10A @ 120V)	CB960= 960W (8A @ 120V)	
		CB1200= 1200W (10A @ 120V)	

Consult factory for single circuit center-feed requiring two circuit breakers.

**Our Lighting
Product Lines**

Halo
Halo Commercial
Portfolio
Iris
RSA
Metalux
Corelite
Neo-Ray
Fail-Safe
MWS
Ametrix
Shaper
io
Lumark
McGraw-Edison
Invue
Lumière
Streetworks
AtLite
Sure-Lites

**Our Controls
Product Lines**

Greengate
iLumin
Zero 88
Fifth Light Technology
iLight (International Only)

Eaton
1121 Highway 74 South
Peachtree City, GA 30269
P: 770-486-4800
www.eaton.com/lighting

Canada Sales
5925 McLaughlin Road
Mississauga, Ontario L5R 1B8
P: 905-501-3000
F: 905-501-3172

© 2015 Eaton
All Rights Reserved
Printed in USA
Publication No. BR518013EN
September 2015

Eaton is a registered trademark.

All other trademarks are property
of their respective owners.

Product availability, specifications,
and compliances are subject to
change without notice.