

DESCRIPTION

Recessed 6-inch LED square downlight with field interchangeable optics deliver narrow, medium and wide distribution patterns ideal for general area lighting. Luminaire is airtight and can be installed in new construction or below the ceiling in renovation applications. Field selectable color temperatures and lumen packages providing additional flexibility. Intended applications include professional offices, healthcare, hospitality, schools, house of worship and other institutional uses.

Catalog #		Type
Project		
Comments		Date
Prepared by		

SPECIFICATION FEATURES

Housing Frame

- Boat shaped galvanized steel plaster frame with adjustable square plaster lip accommodates 1/2" to 1-1/2" thick ceilings
- May be installed in new construction; or from below the ceiling in non-accessible ceilings and in remodeling
- Provided with (4) remodel clips to secure the frame when installing from below the ceiling

Universal Mounting Bracket

- Mounting bracket adjusts 2" vertically from above the ceiling or thru the aperture
- Use with included mounting bars or 1/2" EMT
- Removable to facilitate installation from below the ceiling

Mounting Bars

- Captive preinstalled No Fuss™ mounting bars lock to tee grid with screwdriver or pliers
- Centering mechanism allows for consistent positioning of fixtures

LED Module

- Patented SeleCCTable™ technology allows color temperature and lumen output to be selected in the field
- Discrete (fixed) lumen output is also available to meet lighting power density code requirements
- Available in 80 CRI minimum with color accuracy within 3 SDCM (refer to chromaticity tech sheet online for details)
- Integral connector allows for quick connection to the housing flex
- Passive cooling achieves L70 at 50,000 hours

Primary Optic

- Precision molded square TIR (Total Internal Reflection) optics deliver highly efficient and uniform patterns
- Available in narrow, medium and wide distribution and can be interchanged without tools

Reflector

- Self-flanged downlight reflectors are available in shallow and deep regression
- Linear spread lens wall wash reflector matches tall downlight profile
- Reflectors are of non-conductive polymer construction, and may be used to meet local code requirements for 'dead front'
- Reflectors attach to LED module with (3) speed clamps
- Multiple painted or plated finishes are available

Reflector Retention

- Reflector / module assembly is securely retained in the housing with (2) torsion springs

Driver

- Field replaceable constant current driver provides low noise operation
- UNV 120-277VAC 50/60Hz input standard
- Continuous, 1% dimming with 0-10V analog control
- Optional low voltage DC driver for use with DLVP distributed low voltage power system*

Emergency Option

- Provides 90 minutes of standby lighting meeting most life safety codes for egress lighting
- Available with remote charge indicator and test switch
- Available Self-Test (self-diagnostic), with remote charge indicator and test switch

Connected Lighting Options*

- WaveLinX - two options:
 - Factory installed WaveLinX tile mount sensor kit
 - Field installed WaveLinX accessory tile mount sensor kit.
- The WTA WaveLinX tile mount sensor kit offers daylight dimming, PIR motion sensing control, and optional RLTS - Real Time Location Services. (Refer to WaveLinX system specifications.) The WTA WaveLinX kit includes control module that mounts on the luminaire electrical junction box via 1/2" knock-out, and tilemount sensor with direct-mount spring clips or for octagon ceiling box with included mounting bracket. (Field mount kit ordered and installed separately).
- Enlighted wireless tile mount sensor and control kit

Junction Box

- Galvanized steel junction box
- 20 in³ internal volume excluding voltage barrier
- 25 in³ internal total volume
- Voltage divider for 0-10V dimming wires [occupies (1) 1/2" pry-out space]
- Listed for (8) #12 AWG (four in, four out) 90° C conductors and feed-thru branch wiring
- (3) 1/2" and (2) 3/4" trade size pry-outs available
- (3) 4-port push wire nuts for mains voltage, with 1-port for fixture connection

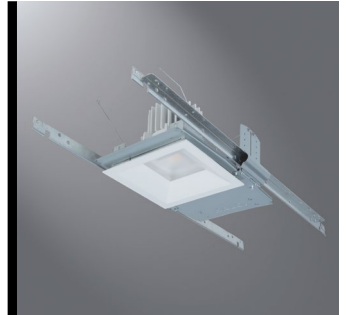
Compliance

- cULus damp location listed, wet location listed in protected ceilings and IP20 - Above finished ceiling; IP64 - Below finished ceiling
- Field selectable 1000, 1500, 2000, 3000, and 4000 lm versions are non-IC rated, insulation must be kept 3" from top and sides
- Fixed (non-selectable) factory set 1000 and 1500 lm housing frames are Type IC thermally protected and suitable for direct contact to air permeable insulation (also suitable for Non-IC)
- Not for use in direct contact with spray foam insulation, consult NEMA LSD57-2013
- Airtight per ASTM-E283-04
- Suitable for use in clothes closets when installed in accordance with the NEC 410.16 spacing requirements
- EMI/RFI emissions per FCC 47CFR Part 15 non-consumer limits
- Contains no mercury or lead and RoHS compliant
- Photometric testing in accordance with IES LM-79-08
- Lumen maintenance projections in accordance with IES LM-80-08 and TM-21-11
- Can be used to comply with the State of California Title 24 non-residential lighting controls requirements as a LED luminaire
- ENERGY STAR® listed for commercial applications, reference certified light fixtures database

Warranty

- Limited 5-year warranty, see website for details. www.cooperlighting.com/legal

*Refer to DLVP WaveLinX and Enlighted specifications and design guides online.



PRS6

SM6

61S

64S

**6-inch Square
Lens Downlight
and Lens Wall Wash**

**Featuring
SeleCCTable™ color
temperature
AND
Selectable lumen**

**1000/1500/2000
2000/3000/4000
Lumen**



ENERGY DATA

SM6128FS LED MODULE LOW LUMEN RANGE

Series	1000 lumen	
	Input Voltage 120-277VAC	120V
Input Current (A)	0.089	0.043
Input Power (W)	10.5	11
In-rush (A)	8.9	22.2
In-rush Duration (ms)	0.145	0.118
THD (%)	<15.1	<16.7
PF	≥ 0.98	≥ 0.92
Minimum starting temperature -40 C (-40 F)*		
Sound Rating: Class A standards		

Series	1500 lumen	
	Input Voltage 120-277VAC	120V
Input Current (A)	0.112	0.052
Input Power (W)	13.4	13.8
In-rush (A)	9.9	24.8
In-rush Duration (ms)	0.198	0.107
THD (%)	<13.3	<15.5
PF	≥ 0.98	≥ 0.94
Minimum starting temperature -40 C (-40 F)*		
Sound Rating: Class A standards		

Series	2000 lumen (low lumen)	
	Input Voltage 120-277VAC	120V
Input Current (A)	0.178	0.079
Input Power (W)	21.3	21.4
In-rush (A)	8	19.1
In-rush Duration (ms)	0.185	0.133
THD (%)	<8.2	<10.6
PF	≥ 0.99	≥ 0.97
Minimum starting temperature -40 C (-40 F)*		
Sound Rating: Class A standards		

SM6248FS LED MODULE HIGH LUMEN RANGE

Series	2000 lumen (high lumen)	
	Input Voltage 120-277VAC	120V
Input Current (A)	0.176	0.081
Input Power (W)	21	21.2
In-rush (A)	15.3	32.1
In-rush Duration (ms)	0.237	0.12
THD (%)	<11	<13.6
PF	≥ 0.99	≥ 0.94
Minimum starting temperature -40 C (-40 F)*		
Sound Rating: Class A standards		

Series	3000 lumen	
	Input Voltage 120-277VAC	120V
Input Current (A)	0.225	0.101
Input Power (W)	26.9	27
In-rush (A)	11.6	27.9
In-rush Duration (ms)	0.187	0.081
THD (%)	<9.05	<11.8
PF	≥ 0.99	≥ 0.96
Minimum starting temperature -40 C (-40 F)*		
Sound Rating: Class A standards		

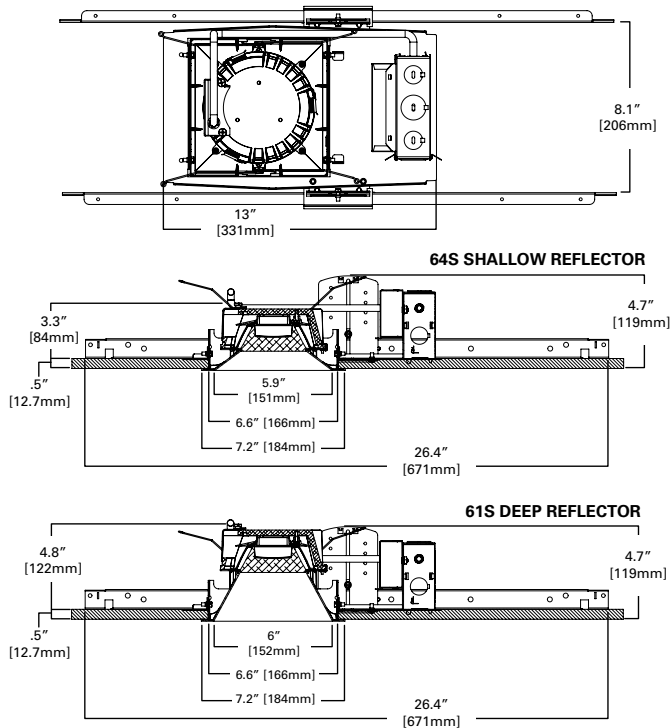
Series	4000 lumen	
	Input Voltage 120-277VAC	120V
Input Current (A)	0.332	0.145
Input Power (W)	39.8	39.4
In-rush (A)	12.8	27.5
In-rush Duration (ms)	0.211	0.107
THD (%)	<5.9	<8.8
PF	≥ 0.99	≥ 0.98
Minimum starting temperature -40 C (-40 F)*		
Sound Rating: Class A standards		

Notes:

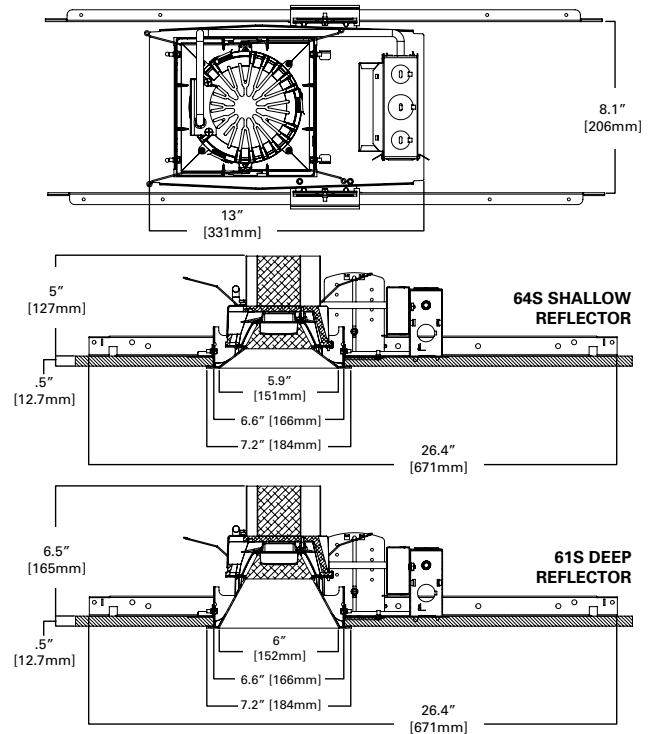
* Emergency Battery packs are rated for a minimum starting temperature of 0°C.

DIMENSIONS

6", LOW LUMEN MODULE (1000 - 1500 - 2000 LUMEN)



6", HIGH LUMEN MODULE (2000 - 3000 - 4000 LUMEN)



MAX HEIGHT (above finished ceiling)

LED MODULE	SM6128FS low lumen module	SM6248FS high lumen module
LUMEN RANGE	1000-1500-2000 Lumens	2000-3000-4000 Lumens
61S Deep Reflector	4.8"	6.5"
64S Shallow Reflector	4.2" (3.3" w/out bar bracket)	5.0"

Ordering Information

Sample Number: PRS6FS24D010REM7 - SM6248FS - 61SMDH

A complete luminaire consists of a mounting frame, LED module, and reflector (order separately)

Ordering Information, 120-277VAC, 0-10V analog dimming

Housing Frame	Lumens	Input / Control	Options
PRS6 = 6" square new construction and remodeler housing	<p>Field Selectable FS12 = field selectable 1000, 1500 and 2000 lumens (nominal), use with SM6128FS LED module FS24 = field selectable 2000, 3000 and 4000 lumens (nominal), use with SM6248FS LED module</p> <p>Fixed, Factory Set 10 = 1000 lumens (nominal), use with SM6128FS LED module (Type IC rated) 15 = 1500 lumens (nominal), use with SM6128FS LED module (Type IC rated) 30 = 3000 lumens (nominal), use with SM6248FS LED module</p>	D010 =120-277VAC, 50/60Hz, 0-10V analog 1% dimming	<p>REM7=7 watt emergency module with remote test / indicator light, use with D010 only REM14=14 watt emergency module with remote test / indicator light, use with D010 only BOD7ST = 7.5 watt Bodine self-test diagnostic emergency module with remote test / indicator light, use with D010 only LWTPD1=Factory installed Enlighted wireless tile mount sensor kit, D010 only WTA=Factory installed WaveLinX sensor Kit ³</p>

Ordering Information, Distributed Low Voltage Power - for use with DLVP system only

Housing Frame	Lumens	Input / Control	Options
PRS6 = 6" square new construction and remodeler housing	<p>Fixed, Factory Set 10 = 1000 lumens (nominal), use with SM6128FS LED module (Type IC rated) 15 = 1500 lumens (nominal), use with SM6128FS LED module (Type IC rated) 20 = 2000 lumens (nominal), use with SM6128FS LED module 30 = 3000 lumens (nominal), use with SM6248FS LED module 40 = 4000 lumens (nominal), use with SM6248FS LED module</p>	DLV =distributed low voltage driver, 1%-100% dimming. DLV for use with DLVP system only. Refer to DLVP low-voltage power module and DLVP specifications for details.	<p>REM7 = 7 watt emergency module with remote test / indicator light, use with DLV only REM14 = 14 watt emergency module with remote test / indicator light, use with DLV only</p>

Accessories

HB128APK=L channel hanger bar, 26", pair (replacement)
RMB22=Adjustable wood joist mounting bars, pair, extend to 22" long
H347=347 to 120V step down transformer, 75VA
H347200=347 to 120V step down transformer, 200VA
PORLWTPD1=Enlighted wireless sensor kit, field installed, D010 only
WTA=Factory installed WaveLinX sensor Kit ³

LED Module	Lumens	CRI/CCT
SM6 = 6" LED module.	<p>12=Field selectable 1000, 1500 and 2000 lumens (nominal), preset for 2000 lumens, use with PRS6FS12*, PRS610*, PRS615*, PRS620* housings 24=Field selectable 2000, 3000 and 4000 lumens (nominal), preset for 4000 lumens, use with PRS6FS24*, PRS620*, PRS630*, PRS640* housings</p>	8FS =80 CRI (minimum), field selectable 3000, 3500 and 4000 CCT, preset for 3500K

Reflector - Deep	Distribution ²	Finish	Flange	Accessories
61S = 6" square reflector, non-conductive polymer, use with SM6 modules only	<p>ND = narrow, TIR lens included (58° beam angle, 0.84 SC) MD = medium, TIR lens included (68° beam angle, 1.0 SC) WD = wide, TIR lens included (80° beam angle, 1.3 SC) WW = linear spread lens wall wash, insert included</p>	<p><u>Vacuum Metallized</u> C = Specular clear H = Semi-specular clear (haze) <u>Painted</u> MB = Matte black MW = Matte white</p>	<p>Blank = Vacuum Metallized flange standard on C, H reflectors Blank = White flange on MW reflectors Blank = Black flange on MB reflectors WF = White flange option available with C, H, MB reflectors</p>	<p>TIR6SND = narrow distribution TIR lens for 6" reflectors ¹ TIR6SMD = medium distribution TIR lens for 6" reflectors ¹ TIR6SWD = wide distribution TIR lens for 6" reflectors ¹ S6DWW = wall wash replacement insert for 6" wall wash reflector</p>

Reflector - Shallow	Distribution ²	Finish	Flange	Accessories
64S = 6" square shallow reflector, non-conductive polymer, use with SM6 modules only	<p>ND = narrow with TIR lens included (59° beam angle, 0.84 SC) MD = medium with TIR lens included (70° beam angle, 0.98 SC) WD = wide with TIR lens included (103° beam angle, 1.35 SC)</p>	<p><u>Vacuum Metallized</u> C = Specular clear H = Semi-specular clear (haze) <u>Painted</u> MB = Matte black MW = Matte white</p>	<p>Blank = Vacuum Metallized flange standard on C, H reflectors Blank = White flange on MW reflectors Blank = Black flange on MB reflectors WF = White flange option available with C, H, MB reflectors</p>	<p>TIR6SND = narrow distribution TIR lens for 6" reflectors ¹ TIR6SMD = medium distribution TIR lens for 6" reflectors ¹ TIR6SWD = wide distribution TIR lens for 6" reflectors ¹</p>

Notes:
¹ TIR lenses for replacement - field interchangeable
² Values are nominal for white reflectors, others may vary.
³ WTA = WaveLinX tile mount sensor kit for daylight dimming, PIR motion sensing, and optional RLTS - RealTime Location Services, use with D010 only (Refer to WaveLinX system specifications)

PHOTOMETRY - DEEP REFLECTORS 61S SERIES

NARROW DISTRIBUTION - SPECULAR CLEAR FINISH, 2000 LUMEN MODEL, 80 CRI, 3500K

NARROW (52° BEAM*)		CANDLEPOWER DISTRIBUTION		CONE OF LIGHT				CANDELA TABLE		ZONAL LUMEN SUMMARY			LUMINANCE	
Test Number	P238270							Degrees Vertical	Canдела	Zone	Lumens	% Fixture	Average Candela Degrees	Average 0° Luminance
Housing	PRS6FS12D010							0	2949	0-30	1608	67.3	45	12549
Module	SM6128FS			5	2855	5	2364	0-40	2123	88.9	55	3258		
Reflector	61SNDC			15	2309	15	2019	0-60	2383	99.8	65	0		
Lumens	2388 Lm			25	1577	25	1444	0-90	2388	100	75	0		
Efficacy	119.4 Lm/W			35	859	35	866	90-180	0	0	85	0		
SC	0.79	45	206	45	230	0-180	2388	100						
UGR	12.9	55	43	55	56									
		65	0	65	0									
		75	0	75	0									
		85	0	85	0									
		90	0	90	0									
		MH	FC	L	W									
		5.5'	97.5	4.2	4.2									
		7'	60.2	5.4	5.4									
		8'	46.1	6.2	6.2									
		9'	36.4	7	7									
		10'	29.5	7.8	7.8									
		12'	20.5	9.4	9.4									

MEDIUM DISTRIBUTION - SPECULAR CLEAR FINISH, 2000 LUMEN MODEL, 80 CRI, 3500K

MEDIUM (62° BEAM*)		CANDLEPOWER DISTRIBUTION		CONE OF LIGHT				CANDELA TABLE		ZONAL LUMEN SUMMARY			LUMINANCE	
Test Number	P238285							Degrees Vertical	Canдела	Zone	Lumens	% Fixture	Average Candela Degrees	Average 0° Luminance
Housing	PRS6FS12D010							0	2408	0-30	1452	62.7	45	14011
Module	SM6128FS			5	2364	5	2364	0-40	1996	86.2	55	4234		
Reflector	61SMDC			15	2019	15	2019	0-60	2311	99.8	65	0		
Lumens	2316 Lm			25	1444	25	1444	0-90	2316	100	75	0		
Efficacy	115.8 Lm/W			35	866	35	866	90-180	0	0	85	0		
SC	0.86	45	230	45	230	0-180	2316	100						
UGR	13.7	55	56	55	56									
		65	0	65	0									
		75	0	75	0									
		85	0	85	0									
		90	0	90	0									
		MH	FC	L	W									
		5.5'	79.6	4.6	4.6									
		7'	49.1	6	6									
		8'	37.6	6.8	6.8									
		9'	29.7	7.6	7.8									
		10'	24.1	8.4	8.6									
		12'	16.7	10.2	10.4									

WIDE DISTRIBUTION - SPECULAR CLEAR FINISH, 2000 LUMEN MODEL, 80 CRI, 3500K

WIDE (75° BEAM*)		CANDLEPOWER DISTRIBUTION		CONE OF LIGHT				CANDELA TABLE		ZONAL LUMEN SUMMARY			LUMINANCE	
Test Number	P253055							Degrees Vertical	Canдела	Zone	Lumens	% Fixture	Average Candela Degrees	Average 0° Luminance
Housing	PRS6FS12D010							0	1116	0-30	890	42.2	45	20337
Module	SM6128FS			5	1111	5	1111	0-40	1436	68.1	55	13602		
Reflector	61SWDC			15	1083	15	1083	0-60	1976	93.7	65	8232		
Lumens	2109 Lm			25	1028	25	1028	0-90	2109	100	75	5806		
Efficacy	105.4 Lm/W			35	849	35	849	90-180	0	0	85	4298		
SC	1.26	45	334	45	334	0-180	2109	100						
UGR	18.7	55	181	55	181									
		65	81	65	81									
		75	35	75	35									
		85	9	85	9									
		90	0	90	0									
		MH	FC	L	W									
		5.5'	36.9	6.8	7									
		7'	22.8	8.8	8.8									
		8'	17.4	10	10.2									
		9'	13.8	11.2	11.4									
		10'	11.2	12.6	12.6									
		12'	7.7	15	15.2									

*Values are nominal for specular clear reflectors, others may vary.
SC = Spacing Criteria
UGR = Unified Glare Rating

Photometric Multipliers (nominal lumen values)

1000 Lumen	1500 Lumen	2000 Lumen	3000 Lumen	4000 Lumen
0.46	0.61	1.00	1.27	1.82

Multipliers for relative lumen values with other series models.

CCT Multipliers - 80CRI

3000K	3500K	4000K
0.90	1.00	0.95

Multipliers for relative lumen values with other series color temperatures.

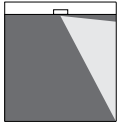
Color Finish Multipliers

Finish code	C	H	MB	MW
Finish	Specular Clear	Semi-Specular	Matte Black	Matte White
Narrow Multiplier	1.00	0.99	0.88	1.00
Medium Multiplier	1.00	0.98	0.82	1.00
Wide Multiplier	1.00	0.96	0.70	1.00

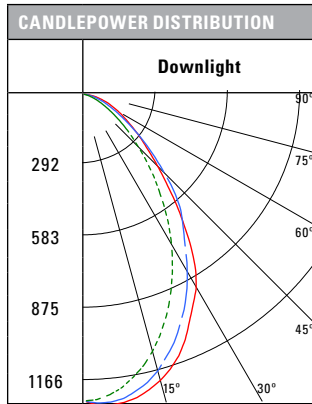
Multipliers for relative lumen values with other cone color finishes.

PHOTOMETRY - DEEP REFLECTORS 61S SERIES
WALL WASH DISTRIBUTION - SPECULAR CLEAR FINISH, 2000 LUMEN MODEL, 80 CRI, 3500K

WALL WASH	
Test Number	P238330
Housing	PRS6FS12D010
Module	SM6128FS
Reflector	61SWWC
Lumens	1602 Lm
Efficacy	80.1 Lm/W
SC	0.98



SC = Spacing Criteria, nominal for specular clear reflector, others may vary.



CANDELA TABLE	
Degrees Vertical	Candela
0	1147
5	1166
15	1108
25	936
35	701
45	404
55	232
65	132
75	63
85	13
90	0

ZONAL LUMEN SUMMARY		
Zone	Lumens	% Fixture
0-30	750	46.8
0-40	1100	68.7
0-60	1505	94
0-90	1602	100
90-180	0	0
0-180	1602	100

LUMINANCE	
Average Candela Degrees	Average 0° Luminance
45	24593
55	17445
65	13499
75	10480
85	6422

SINGLE UNIT FOOTCANDLES								
2.5' from wall (distance from fixture along wall)								
1	13.9	9.8	4	1.4	0.5	0.2	0.1	
2	21.7	17.4	8.8	3.6	1.5	0.6	0.3	
3	22.9	19.2	11.8	5.5	2.4	1.1	0.6	
4	18.9	16.3	11.2	6.4	3.1	1.6	0.8	
5	12.9	11.6	8.7	5.7	3.3	1.8	1	
6	9	8.3	6.6	4.7	3.1	1.9	1.1	
7	6.4	6	5	3.8	2.7	1.8	1.2	
8	4.6	4.3	3.8	3	2.3	1.7	1.1	
9	3.4	3.2	2.9	2.4	1.9	1.4	1.1	
10	2.5	2.5	2.2	1.9	1.6	1.2	1	

MULTIPLE UNIT FOOTCANDLES								
2.5' from wall (distance from fixture along wall)			2.5' from wall (distance from fixture along wall)					
1	15.4	13.1	15.4	14.4	8	14.4		
2	25.2	26.3	25.2	23.1	17.7	23.1		
3	28.5	31.3	28.5	25.4	23.6	25.4		
4	25.2	27.8	25.2	22	22.4	22		
5	18.7	20.5	18.7	16.3	17.4	16.3		
6	13.7	15.1	13.7	12.1	13.2	12.1		
7	10.2	11	10.2	9.1	10	9.1		
8	7.6	8.2	7.6	6.9	7.5	6.9		
9	5.8	6.2	5.8	5.3	5.8	5.3		
10	4.5	4.7	4.5	4.1	4.5	4.1		

Photometric Multipliers (nominal lumen values)

1000 Lumen	1500 Lumen	2000 Lumen	3000 Lumen	4000 Lumen
0.46	0.61	1.00	1.27	1.82

Multipliers for relative lumen values with other series models.

Color Finish Multipliers

Finish code	C	H	MB	MW
Finish	Specular Clear	Semi-Specular	Matte Black	Matte White
Wall Wash Multiplier	1.00	0.98	0.91	1.00

Multipliers for relative lumen values with other cone color finishes.

CCT Multipliers - 80CRI

3000K	3500K	4000K
0.90	1.00	0.95

Multipliers for relative lumen values with other series color temperatures.

PHOTOMETRY - SHALLOW REFLECTORS 64S SERIES
NARROW DISTRIBUTION - SPECULAR CLEAR FINISH, 2000 LUMEN MODEL, 80 CRI, 3500K

NARROW (59° BEAM*)		CANDLEPOWER DISTRIBUTION		CONE OF LIGHT				CANDELA TABLE		ZONAL LUMEN SUMMARY			LUMINANCE	
Test Number	P238090							Degrees Vertical	Candela	Zone	Lumens	% Fixture	Average Candela Degrees	Average 0° Luminance
Housing	PRS6FS12D010							0	2420	0-30	1367	55.3	45	26566
Module	SM6128FS							5	2342	0-40	1878	76		
Reflector	64SNDC							15	1921	0-60	2375	96.2		
Lumens	2470 Lm							25	1392	0-90	2470	100		
Efficacy	123.5 Lm/W	35	868	90-180	0	0								
SC	0.82	45	436	0-180	2470	100	75	2163						
UGR	18.1	55	193	85	0		85	0						
		65	70	90	0									
		75	13											
		85	0											
		90	0											

MEDIUM DISTRIBUTION - SPECULAR CLEAR FINISH, 2000 LUMEN MODEL, 80 CRI, 3500K

MEDIUM (70° BEAM*)		CANDLEPOWER DISTRIBUTION		CONE OF LIGHT				CANDELA TABLE		ZONAL LUMEN SUMMARY			LUMINANCE	
Test Number	P238105							Degrees Vertical	Candela	Zone	Lumens	% Fixture	Average Candela Degrees	Average 0° Luminance
Housing	PRS6FS12D010							0	1700	0-30	1113	45.8	45	30542
Module	SM6128FS							5	1672	0-40	1637	67.4		
Reflector	64SMDC							15	1477	0-60	2292	94.4		
Lumens	2427 Lm							25	1175	0-90	2427	100		
Efficacy	121.3 Lm/W	35	825	90-180	0	0								
SC	0.96	45	502	0-180	2427	100	75	2895						
UGR	19.8	55	256	85	0		85	0						
		65	87											
		75	17											
		85	0											
		90	0											

WIDE DISTRIBUTION - SPECULAR CLEAR FINISH, 2000 LUMEN MODEL, 80 CRI, 3500K

WIDE (103° BEAM*)		CANDLEPOWER DISTRIBUTION		CONE OF LIGHT				CANDELA TABLE		ZONAL LUMEN SUMMARY			LUMINANCE	
Test Number	P252995							Degrees Vertical	Candela	Zone	Lumens	% Fixture	Average Candela Degrees	Average 0° Luminance
Housing	PRS6FS12D010							0	907	0-30	725	32.1	45	35383
Module	SM6128FS							5	902	0-40	1202	53.2		
Reflector	64SWDC							15	879	0-60	2051	90.7		
Lumens	2261 Lm							25	841	0-90	2261	100		
Efficacy	113.1 Lm/W	35	741	90-180	0	0								
SC	1.3	45	581	0-180	2261	100	75	4957						
UGR	21.9	55	390	85	2		85	1037						
		65	109											
		75	30											
		85	2											
		90	0											

*Values are nominal for specular clear reflectors, others may vary.
SC = Spacing Criteria
UGR = Unified Glare Rating

Photometric Multipliers (nominal lumen values)

1000 Lumen	1500 Lumen	2000 Lumen	3000 Lumen	4000 Lumen
0.47	0.62	1.00	1.27	1.83

Multipliers for relative lumen values with other series models.

CCT Multipliers - 80CRI

3000K	3500K	4000K
0.90	1.00	0.95

Multipliers for relative lumen values with other series color temperatures.

Color Finish Multipliers

Finish code	C	H	MB	MW
Finish	Specular Clear	Semi-Specular	Matte Black	Matte White
Narrow Multiplier	1.00	1.00	0.90	1.04
Medium Multiplier	1.00	0.99	0.95	1.01
Wide Multiplier	1.00	0.99	0.93	1.02

Multipliers for relative lumen values with other cone color finishes.