

DESCRIPTION

Surface 8-inch shallow lens LED medium and wide distribution downlight is available in multiple lumen combinations. Choose between 3000K, 3500K and 4000K CCT in the field with seleCCTable™ technology. Suitable for commercial new construction or renovation work. Coordinated recessed versions are also available. Use for general area lighting where high efficiency and long life are required.

Catalog #		Type
Project		
Comments		Date
Prepared by		

SPECIFICATION FEATURES

Mechanical Housing

- One piece spun aluminum surface mount housing is available in powder coat matte white and matte black and painted metallic silver finishes.
- May be used for new construction or renovation work.

Mounting

- Provided with mounting pattern for direct installation to 3-1/4" and 4" octagonal or 4" square junction box.

LED Module

- Self-flanged aluminum housing maximizes thermal performance.
- LED array uses a plurality of mid-power surface mount LED packages delivering high flux and excellent efficiency.
- Switch selectable 3000K, 3500K or 4000K CCT reduces ordering complexity and provides flexibility in the field.
- Color point accuracy within 3 SDCM and 80 CRI minimum provides color quality and uniformity.
- Passive thermal management achieves L70 at 50,000 hours.
- Integral connector allows quick connection during installation.

LED Module – Lens Optics

- Medium and wide beam interchangeable polymer lens pre-installed in LED module
- Optional field installed wall wash kit offers 360° rotation, allowing the housing to be installed in any orientation

Retention

- Module retained with two torsion springs holding the LED module tight to the housing.

Electrical Driver

- Integral UNV 120 - 277V 50/60 Hz constant current driver provides noise free operation.
- Continuous, dimming from 100% to 1% using 0 -10V analog control.

Compliance

- cULus Listed/Classified, wet location labeled for covered ceilings.
- IP55 rated
- EMI/RFI emissions per FCC 47CFR Part 18 non-consumer limits.
- Contains no mercury or lead and RoHS compliant.
- Photometric testing in accordance with IES LM-79-08 and TM-30-15.
- Lumen maintenance projections in accordance with IES LM-80-08 and TM-21-11.
- Can be used to comply with California Title 24 Non-Residential Lighting Controls requirements as a LED Luminaire.
- ENERGY STAR® Certified. See energystar.gov website for current information.

Warranty

- Limited 5-year warranty, see website for details. www.cooperlighting.com/legal



PR8S10
PR8S15
PR8S20
PR8S30
PR8S40

PR8M12
PR8M34

1000, 1500, 2000,
3000 & 4000
Lumen Series

8-Inch Shallow Lens
LED Surface Downlight

Medium, Wide &
Wall Wash Distribution

seleCCTable™



ORDERING INFORMATION

CYLINDER SAMPLE NUMBER: PR8S40D010MW

A complete luminaire consists of a cylinder and LED module, order separately.

Frame	Lumens	Driver	Finish
PR8S = 8" aperture LED downlight surface mount cylinder	10 = 1,000 lumens (nominal) 15 = 1,500 lumens (nominal) 20 = 2,000 lumens (nominal) 30 = 3,000 lumens (nominal) 40 = 4,000 lumens (nominal)	D010 = 120-277V 50/60Hz, 0-10V 100% to 1% dimming	MW = Matte White MB = Matte Black MMS = Matte Metallic Silver

MODULE SAMPLE NUMBER: PR8M34MDMW

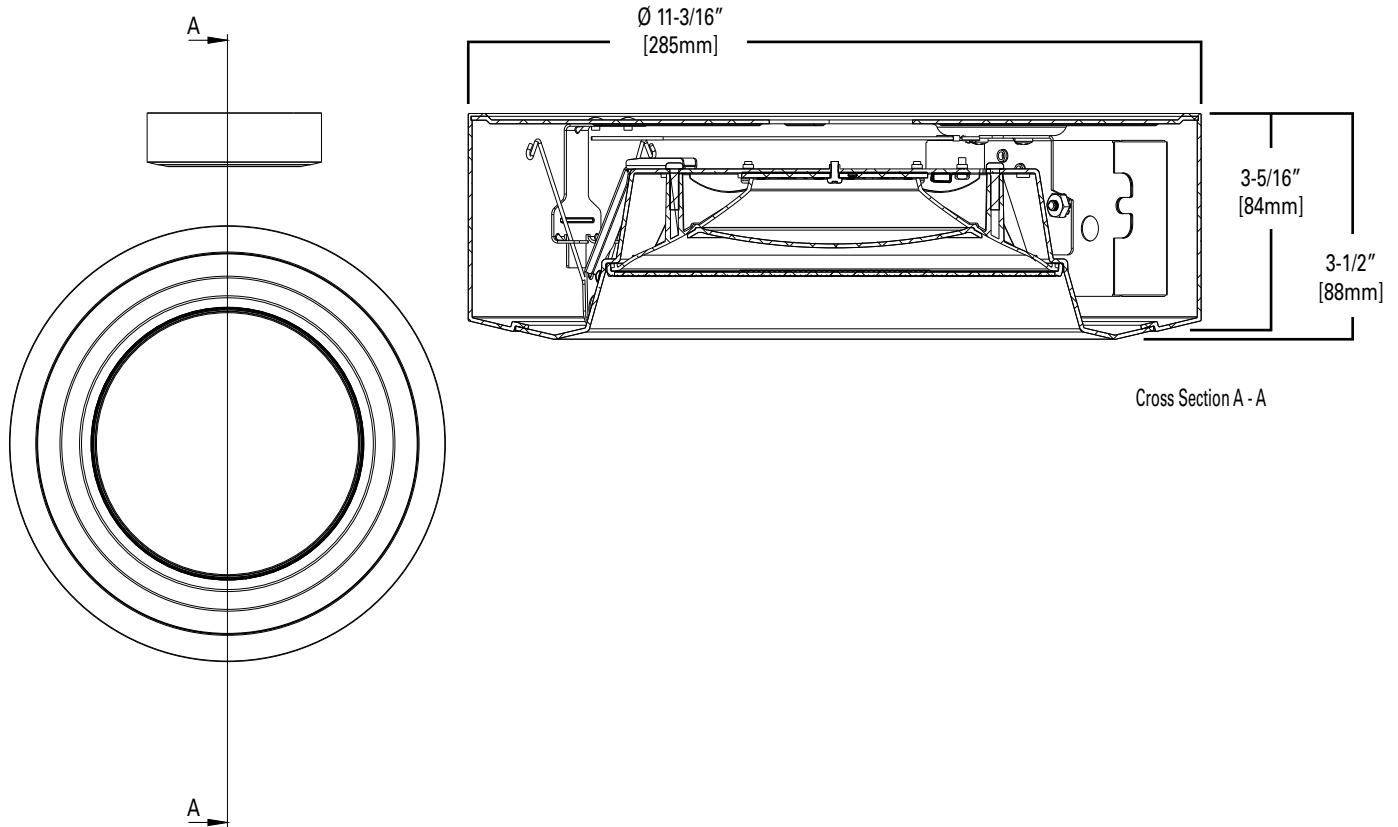
A complete luminaire consists of a frame and LED module, order separately.

LED Module	Shielding	Flange Finish
PR8M12 = Downlight LED module for PR8 series, provides 1000, 1500 or 2000 lumens (nominal) depending on connected frame type PR8M34 = Downlight LED module for PR8 series, provides 3000 or 4000 lumens (nominal) depending on connected frame type	MD = Medium distribution plastic lens WD = Wide distribution plastic lens	MW = Matte White MB = Matte Black MMS = Matte Metallic Silver

Accessories

PR8WW = Field Installed wall wash optic for PR8M12 and PR834 modules
PR8MD = Replacement 8" medium distribution lens for PR8M12 and PR8M34 modules
PR8WD = Replacement 8" wide distribution lens for PR8M12 and PR8M34 modules

DIMENSIONS



LUMEN TABLES

1000 Lumen, 10.5W	3000K		3500K		4000K	
	Lumens	LPW	Lumens	LPW	Lumens	LPW
Medium Distribution Lens, Matte White Trim	1176	112	1326	126	1245	119
Medium Distribution Lens, Matte Black Trim	1072	102	1209	115	1134	108
Medium Distribution Lens, Matte Metallic Silver Trim	1137	108	1282	122	1203	115
Wide Distribution Lens, Matte White Trim	1172	112	1322	126	1240	118
Wide Distribution Lens, Matte Black Trim	1063	101	1198	114	1125	107
Wide Distribution Lens, Matte Metallic Silver Trim	1126	107	1270	121	1192	114
Wall Wash Optic, Matte White Trim	996	95	1130	108	1061	101

1500 Lumen, 15W	3000K		3500K		4000K	
	Lumens	LPW	Lumens	LPW	Lumens	LPW
Medium Distribution Lens, Matte White Trim	1597	106	1800	120	1690	113
Medium Distribution Lens, Matte Black Trim	1455	97	1641	109	1540	103
Medium Distribution Lens, Matte Metallic Silver Trim	1543	103	1740	116	1633	109
Wide Distribution Lens, Matte White Trim	1591	106	1794	120	1684	112
Wide Distribution Lens, Matte Black Trim	1443	96	1627	108	1527	102
Wide Distribution Lens, Matte Metallic Silver Trim	1529	102	1724	115	1618	108
Wall Wash Optic, Matte White Trim	1349	90	1534	102	1440	96

2000 Lumen, 22W	3000K		3500K		4000K	
	Lumens	LPW	Lumens	LPW	Lumens	LPW
Medium Distribution Lens, Matte White Trim	2186	99	2465	112	2313	105
Medium Distribution Lens, Matte Black Trim	1992	91	2246	102	2108	96
Medium Distribution Lens, Matte Metallic Silver Trim	2113	96	2382	108	2236	102
Wide Distribution Lens, Matte White Trim	2179	99	2456	112	2305	105
Wide Distribution Lens, Matte Black Trim	1975	90	2227	101	2090	95
Wide Distribution Lens, Matte Metallic Silver Trim	2093	95	2360	107	2215	101
Wall Wash Optic, Matte White Trim	1847	84	2100	95	1971	90

3000 Lumen, 28.5W	3000K		3500K		4000K	
	Lumens	LPW	Lumens	LPW	Lumens	LPW
Medium Distribution Lens, Matte White Trim	3217	113	3630	127	3376	118
Medium Distribution Lens, Matte Black Trim	2917	102	3292	116	3062	107
Medium Distribution Lens, Matte Metallic Silver Trim	3092	108	3488	122	3244	114
Wide Distribution Lens, Matte White Trim	3200	112	3610	127	3358	118
Wide Distribution Lens, Matte Black Trim	2901	102	3274	115	3045	107
Wide Distribution Lens, Matte Metallic Silver Trim	3075	108	3469	122	3227	113
Wall Wash Optic, Matte White Trim	2702	95	3053	107	2840	100

4000 Lumen, 43.5W	3000K		3500K		4000K	
	Lumens	LPW	Lumens	LPW	Lumens	LPW
Medium Distribution Lens, Matte White Trim	4397	101	4961	114	4614	106
Medium Distribution Lens, Matte Black Trim	3987	92	4498	103	4184	96
Medium Distribution Lens, Matte Metallic Silver Trim	4225	97	4767	110	4433	102
Wide Distribution Lens, Matte White Trim	4372	101	4933	113	4588	105
Wide Distribution Lens, Matte Black Trim	3965	91	4473	103	4161	96
Wide Distribution Lens, Matte Metallic Silver Trim	4201	97	4740	109	4409	101
Wall Wash Optic, Matte White Trim	3698	85	4172	96	3880	89

ENERGY DATA

Lumens	1000 Series	
Input Voltage	120V	277V
Input Current	0.09A	0.04A
Input Power	10.5W	11.2W
THD: ≤ 20%		
PF: ≥ 0.90		
T Ambient -30 - +40°C		
Sound Rating ≤ 22dba		

Lumens	1500 Series	
Input Voltage	120V	277V
Input Current	0.125A	0.06A
Input Power	15W	15.5W
THD: ≤ 20%		
PF: ≥ 0.90		
T Ambient -30 - +40°C		
Sound Rating ≤ 22dba		

Lumens	2000 Series	
Input Voltage	120V	277V
Input Current	0.18A	0.08A
Input Power	22W	22.5W
THD: ≤ 20%		
PF: ≥ 0.90		
T Ambient -30 - +40°C		
Sound Rating ≤ 22dba		

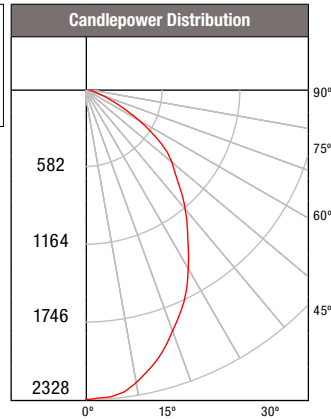
Lumens	3000 Series	
Input Voltage	120V	277V
Input Current	0.24A	0.10A
Input Power	28.5W	28.5W
THD: ≤ 20%		
PF: ≥ 0.90		
T Ambient -30 - +40°C		
Sound Rating ≤ 22dba		

Lumens	4000 Series	
Input Voltage	120V	277V
Input Current	0.36A	0.16A
Input Power	43.5W	43W
THD: ≤ 20%		
PF: ≥ 0.90		
T Ambient -30 - +40°C		
Sound Rating ≤ 22dba		

MEDIUM DISTRIBUTION PHOTOMETRY

PR8S40D010 - PR8M34MDMW - 3500K
Spacing Criteria = 1.04
Lumens per Watt = 96.4 Lm/W
Test No. P210615
Test Model: PR8S40D010-PR8M34MDMW-3500K

Zonal Lumen Summary		
Zone	Lumens	% Fixture
0-30	1614	38.5
0-40	2461	58.7
0-60	3839	91.5
0-90	4195	100



Candela Distribution	
Degrees Vertical	Candela
0°	2328
5	2314
10	2234
20	1929
30	1554
40	1174
50	855
60	468
70	142
80	11
90	0

Luminance	
(Average Candela/M ²)	
Degree	Avg. 0° Luminance
45	43273
55	36950
65	20335
75	7184
85	0

Cone of Light Footcandles			
Distance to Illuminated Plane	Initial Nadir Footcandles	Beam (ft.)	
		L Length	W Width
5.5'	77	5.6	5.6
7'	47.5	7.2	7.2
8'	36.4	8.2	8.2
9'	28.7	9.2	9.2
10'	23.3	10.2	10.2
12'	16.2	12.4	12.4

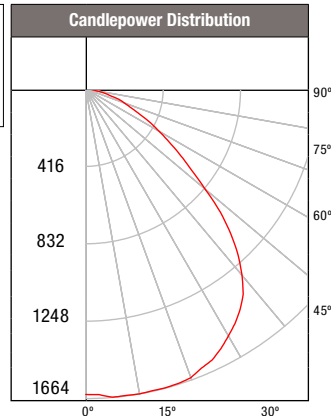
Beam diameter is to 50% of maximum footcandles, rounded to the nearest half-foot.
Footcandle values are initial, apply appropriate light loss factors where necessary.

*CBCP

WIDE DISTRIBUTION PHOTOMETRY

PR8S40D010 - PR8M34WDMW - 3500K
Spacing Criteria = 1.37
Lumens per Watt = 95.9 Lm/W
Test No. P210645
Test Model: PR8S40D010-PR8M34WDMW-3500K

Zonal Lumen Summary		
Zone	Lumens	% Fixture
0-30	1367	32.8
0-40	2267	54.3
0-60	3670	88
0-90	4172	100



Candela Distribution	
Degrees Vertical	Candela
0°	1641
5	1663
10	1664
20	1651
30	1533
40	1306
50	838
60	456
70	221
80	61
90	0

Luminance	
(Average Candela/M ²)	
Degree	Avg. 0° Luminance
45	48127
55	33429
65	23210
75	15667
85	11393

Cone of Light Footcandles			
Distance to Illuminated Plane	Initial Nadir Footcandles	Beam (ft.)	
		L Length	W Width
5.5'	54.3	7.4	7.4
7'	33.5	9.4	9.4
8'	25.7	10.8	10.8
9'	20.3	12.2	12.2
10'	16.4	13.6	13.6
12'	11.4	16.2	16.2

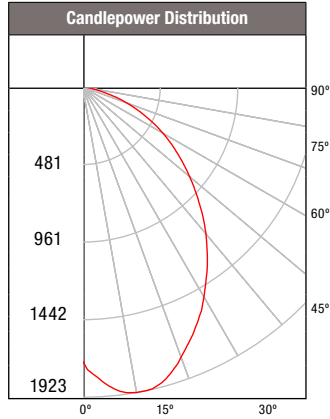
Beam diameter is to 50% of maximum footcandles, rounded to the nearest half-foot.
Footcandle values are initial, apply appropriate light loss factors where necessary.

*CBCP

WALL WASH PHOTOMETRY

PR8S40D010 - PR8M34WW - 3500K
Spacing Criteria = 0.99
Lumens per Watt = 81.1 Lm/W
Test No. P210675
Test Model: PR8S40D010-PR8M34WW-3500K

Zonal Lumen Summary		
Zone	Lumens	% Fixture
0-30	1207	34.2
0-40	1869	53
0-60	2999	85
0-90	3528	100



Candela Distribution	
Degrees Vertical	Candela
0°	1699
5	1860
10	1923
20	1782
30	1502
40	1189
50	866
60	576
70	292
80	60
90	0

Luminance (Average Candela/M²)	
Degree	Avg. 0° Luminance
45	44638
55	38547
65	31514
75	18110
85	5201

Single Unit Footcandles							
2.5' from wall (distance from fixture along wall)							
1	43.8	31.9	14.4	5.7	2.4	1	0.5
2	62.9	50.8	29.1	14.5	7.1	3.5	1.8
3	50.2	43.3	29	17	9.6	5.4	3.1
4	34.3	30.8	23.1	15.4	9.7	6	3.7
5	23	21.2	17.1	12.5	8.7	5.8	3.9
6	15.6	14.7	12.5	9.8	7.3	5.2	3.7
7	10.9	10.4	9.1	7.5	5.9	4.5	3.3
8	7.9	7.5	6.8	5.8	4.7	3.8	2.9
9	5.8	5.6	5.1	4.5	3.8	3.1	2.5
10	4.4	4.2	3.9	3.5	3	2.6	2.1

Multiple Unit Footcandles			
2.5' from wall (spacing between fixtures)			
1	49.6	44.5	49.6
2	77.4	79.5	77.4
3	67.2	72.7	67.2
4	49.7	54.4	49.7
5	35.5	38.7	35.5
6	25.4	27.4	25.4
7	18.4	19.6	18.4
8	13.6	14.3	13.6
9	10.3	10.7	10.3
10	7.9	8.2	7.9

Multiple Unit Footcandles			
2.5' from wall (spacing between fixtures)			
1	46.2	28.9	46.2
2	69.9	58.2	69.9
3	59.7	58	59.7
4	44	46.3	44
5	31.7	34.2	31.7
6	22.9	24.9	22.9
7	16.8	18.2	16.8
8	12.6	13.5	12.6
9	9.6	10.2	9.6
10	7.4	7.9	7.4

Specifications and dimensions subject to change without notice.