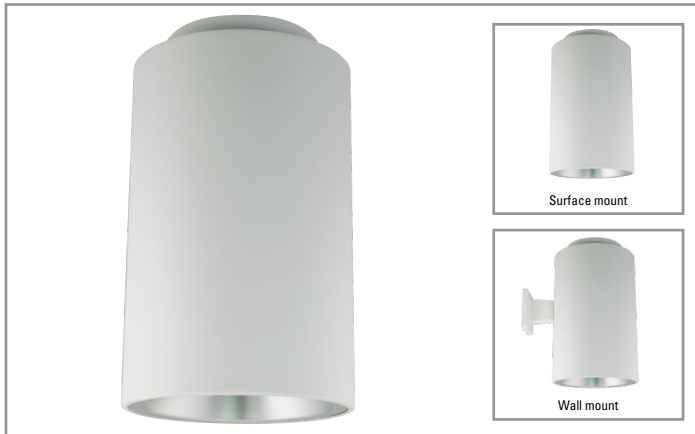


Project		Catalog #		Type	
Prepared by		Notes		Date	



HALO Commercial

HCC8 | HM8 | 81

8-inch lens cylinder and lens wall wash

Typical Applications

Office • Healthcare • Hospitality • Institutional

Interactive Menu

- Order Information page 2
- Product Specifications page 3
- Photometric Data page 4
- Energy & Performance Data page 6
- Product Warranty

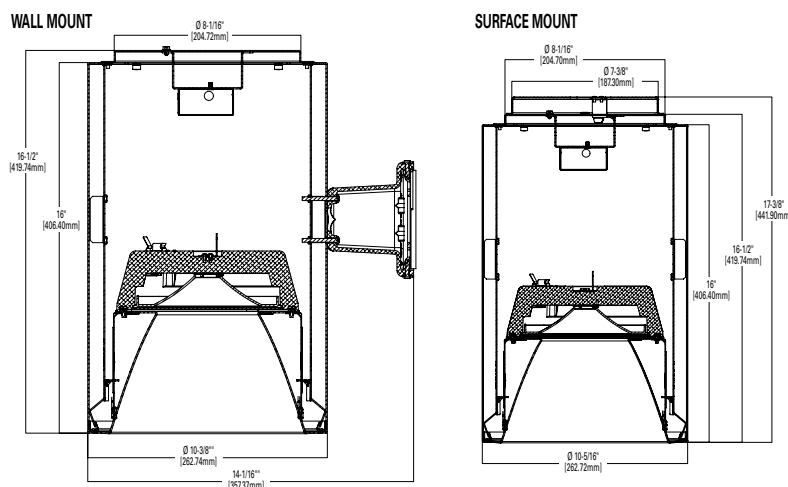
Product Certification



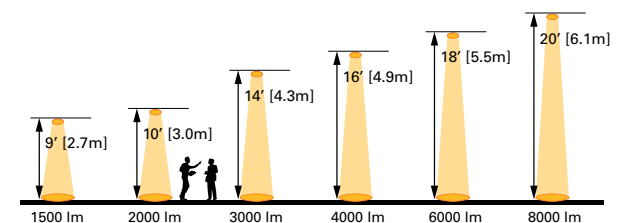
Top Product Features

- 1500, 2000, 3000, 4000, 6000, 8000 lumens
- 2700K, 3000K, 3500K, 4000K CCT; 80 or 90 CRI
- Narrow, Medium, Wide beam distribution in precision formed reflectors
- Wall wash with exclusive rotatable linear spread lens
- Specular, Semi Specular, White, Black & White Baffle reflector finishes

Dimensional and Mounting Details



Scale



Nominal values for 15 - 20 footcandles at nadir.

Order Information

Icon Key: ▲ Configurable Product

SAMPLE ORDER NUMBER: **HCC8S20D010MW - HM81520835 - 81MDC**

A complete luminaire consists of a cylinder, LED module, and reflector; ordered separately

Cylinder	Lumens (nominal)	Input / Control	Finish
Cylinder HCC8S = 8" surface mount cylinder HCC8W = 8" wall mount cylinder	Lumens (nominal) 15 = 1500 lumens ⁽¹⁾ 20 = 2000 lumens ⁽¹⁾ 30 = 3000 lumens ⁽²⁾ 40 = 4000 lumens ⁽²⁾ 60 = 6000 lumens ⁽³⁾ 80 = 8000 lumens ⁽³⁾	Input / Control D010 = 120-277VAC 50/60Hz, 0-10V analog, 1%-100% dimming <u>Canada option</u> D010347 = 347VAC 50/60Hz 0-10V analog 1%-100% dimming LED driver, Available in 1500, 2000, 3000, 4000 lumen models only (Canada only)	Finish MW = Matte White MB = Matte Black BZ = Bronze SL = Silver
Notes	Notes (1) Use with HM81520* LED module. (2) Use with HM83040* LED module. (3) Use with HM86080* LED module.	Notes	Notes

Accessories	Type	Length
Pendant Kit ⁽⁴⁾ HCC8P36MW = Matte White pendant stem kit HCC8P36MB = Matte black pendant stem kit HCC8P36BZ = Bronze pendant stem kit HCC8P36SL = Silver pendant stem kit	Blank = 5 conductor cable (power & 0-10V dimming)	Blank = 36" SP* = * specify 6 to 144 in 1" increments
Aircraft Cable Kit ⁽⁴⁾ HCAC120MW = 120" white aircraft cable kit HCAC48MW = 48" white aircraft cable kit HCAC120MB = 120" black aircraft cable kit HCAC48MB = 48" black aircraft cable kit		
Notes	Notes	Notes
(4) Pendant and Aircraft Cable mounting accessories for use with surface cylinders.		

LED Module	Lumens (nominal)	CRI / CCT (minimum)
HM8 = 8" module	1520 = 1500, 2000 lumens 3040 = 3000, 4000 lumens 6080 = 6000, 8000 lumens	827 = 80 CRI, 2700K CCT 830 = 80 CRI, 3000K CCT 835 = 80 CRI, 3500K CCT 840 = 80 CRI, 4000K CCT 927 = 90 CRI, 2700K CCT 930 = 90 CRI, 3000K CCT 935 = 90 CRI, 3500K CCT 940 = 90 CRI, 4000K CCT
Notes	Notes	Notes

Reflector	Distribution	Finish	Flange	Accessories
81 = 8" self-flanged, conical reflector	ND = narrow reflector 13° beam angle, 0.24 SC MD = medium reflector 37° beam angle, 0.60 SC WD = wide reflector 71° beam angle, 1.08 SC RWW = rotatable wall wash with linear spread lens	C = Specular clear H = Semi-specular clear W = White	Blank = Polished flange standard with C & H reflectors Blank = White flange standard with W reflector WF = White flange option available with C & H reflectors	81RWWPK = Rotatable wall wash replacement kit (for 81RWW reflector only)
81 = 8" self-flanged, baffle reflector	WD = wide baffle 71° beam angle, 1.08 SC RWW = rotatable wall wash with linear spread lens (wide beam baffle with lens wall wash insert)	BB = Black baffle WB = White baffle	Blank = White flange standard with BB & WB BF = Black flange option available with BB	
Notes	Notes (5) Values are nominal, based on specular clear reflector, other may vary. Additional factors include CRI/CCT, reflector finish, and lumen selected.	Notes	Notes	

Product Specifications

Cylinder

- Round seamless spun aluminum housing available in matte white, matte black, bronze, or silver paint finish

Mounting

- Ceiling mount: Included cylinder mounting plate installs to ceiling junction box (supplied by others), and the surface cylinder mounts to the plate with easy twist and lock hooks
- Pendant mount: Pendant stem (ordered separately) is field installed to the surface cylinder mounting plate. Offered in matching housing finishes
- Aircraft cable mount: Aircraft cable (ordered separately) is field installed to the surface cylinder mounting plate. Offered in white or black cable kit
- Wall mount: A mounting arm on the cylinder is designed to be attached directly to wall junction box (supplied by others) via a sturdy mounting plate

LED Module

- Proximity phosphors over chip on board LEDs provide a uniform source with high efficiency and no pixilation
- Available in 80 or 90 CRI (nominal), provides accuracy within 3 SDCM color uniformity
- 90 CRI, R9>50 (refer to chromaticity technical note online for details)
- Correlated Color Temperature options (nominal)
 - 2700K
 - 3000K
 - 3500K
 - 4000K
- Passive thermal management achieves L70 at 60,000 hours in IC and non IC applications
- Integral diffuse lens provides visual shielding

Lumen Options

- Nominal lumen values
 - 1500 lm
 - 2000 lm
 - 3000 lm
 - 4000 lm
 - 6000 lm
 - 8000 lm

Reflector

- Self-flanged aluminum reflectors are available in narrow, medium or wide distribution patterns
- Wall wash reflector features a rotatable linear spread lens for precise alignment of vertical illumination.
- Reflector attaches to LED module with (3) speed clamps
- Multiple painted or plated finishes are available

Reflector / Module Retention

- Reflector / module assembly is securely retained in the housing with (2) torsion springs

Driver

- Field replaceable constant current driver
- UNV 120-277V input standard; continuous dimming 1%-100% with 0-10V analog controls.

Canada option

- 347VAC 50/60Hz continuous 1%-100% dimming on 0-10V analog controls
- Available on 1500, 2000, 3000, 4000 lumen models only (Canada only)

Electrical Connections

- Quick disconnect allows for tool-less replacement of LED engine from below
- (3) 4-port push wire nuts for mains voltage, with 1-port for fixture connection

Compliance

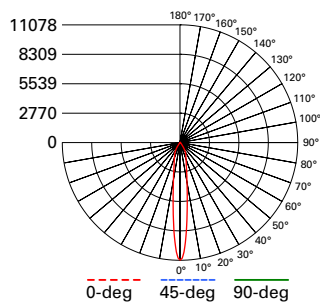
- Ceiling surface and wall mount cylinders are UL Certified (US and Canada) for damp location in protected covered ceilings only
- Pendant and aircraft cable mount cylinders are UL Certified (US and Canada) for damp location in protected covered ceiling applications only
- EMI/RFI emissions FCC CFR Title 47 Part 15 Class A 277V & Class B 120V
- Contains no mercury or lead and RoHS compliant
- Photometric testing in accordance with IES LM-79-08
- Lumen maintenance projections in accordance with IES LM-80-08 and TM-21-11
- May be used to comply with State of California Title 24 non-residential code, as a dimmable LED luminaire
- ENERGY STAR® certified, reference certified light fixtures database

Warranty

- Five year limited warranty, consult website for details. www.cooperlighting.com/legal

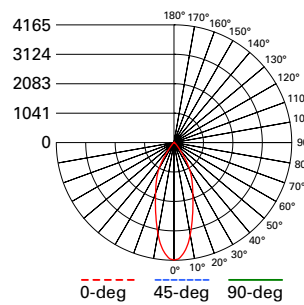
Photometric Data

[View IES files](#)



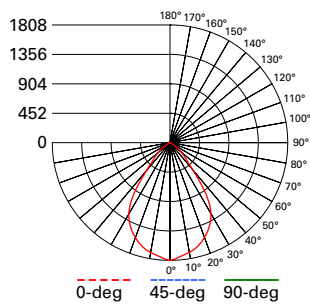
HC820D010-HM81520835-81NDC

Narrow Distribution
13° beam angle
Specular Clear Finish, 2000 Lumen Model, 80 CRI, 3500K
Spacing criterion: 0.24
Lumens: 2050
Input Watts: 20.5 W
Efficacy: 100 LPW
UGR: 10
Test Report:
HC820D010-HM81520835-81NDC.ies



HC820D010-HM81520835-81MDC

Medium Distribution
37° beam angle
Specular Clear Finish, 2000 Lumen Model, 80 CRI, 3500K
Spacing criterion: 0.59
Lumens: 2185
Input Watts: 20.5 W
Efficacy: 106.6 LPW
UGR: 10.2
Test Report:
HC820D010-HM81520835-81MDC.ies



HC820D010-HM81520835-81WDC

Wide Distribution
71° beam angle
Specular Clear Finish, 2000 Lumen Model, 80 CRI, 3500K
Spacing criterion: 1.08
Lumens: 2286
Input Watts: 20.5 W
Efficacy: 111.5 LPW
UGR: 14.7
Test Report:
HC820D010-HM81520835-81WDC.ies

Photometric Multipliers (nominal lumen values)

1500 Lumen	2000 Lumen	3000 Lumen	4000 Lumen	6000 Lumen	8000 Lumen
0.72	1.00	1.47	2.06	2.80	3.32

Multipliers for relative lumen values with other series models.

CCT Multipliers – 80CRI

2700K	3000K	3500K	4000K
0.93	0.94	1.00	1.02

Multipliers for relative lumen values with other series color temperatures.

CCT Multipliers – 90CRI

2700K	3000K	3500K	4000K
0.77	0.83	0.87	0.90

Multipliers for relative lumen values with other series color temperatures.

Color Finish Multipliers

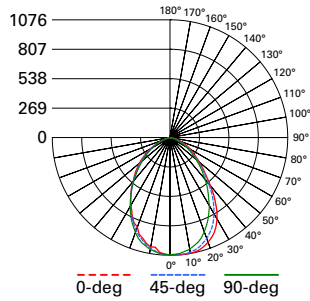
Finish code	C	H	W	BB
Finish	Specular Clear	Semi-Specular	Matte White	Black Baffle (lower cone)
Multiplier	1.00	0.95	0.98	0.89

Multipliers for relative lumen values with other color finishes.

Note: Refer to IES files for more product data.

Photometric Data

[View IES files](#)



HC820D010-HM81520835-81RWWC
 Wall Wash - Specular Clear Finish, 2000 Lumen Model, 80 CRI, 3500K
 Spacing criterion: 1.05
 Lumens: 1927
 Input Watts: 20.5 W
 Efficacy: 94 LPW
 Test Report: HC820D010-HM81520835-81RWWC.ies

SINGLE UNIT FOOTCANDLES							
2.5' from wall (distance from fixture along wall)							
1	17.5	12.3	5.2	1.8	0.6	0.2	0.1
2	25.6	19.9	10.4	4.8	2.2	1	0.5
3	24.6	20.3	11.9	6.1	3.1	1.6	0.9
4	19.4	16.9	11.1	6.4	3.5	2	1.1
5	13.4	12.2	9.1	5.9	3.6	2.1	1.3
6	9	8.5	6.9	5	3.3	2.1	1.3
7	6.2	6	5.1	4	2.9	2	1.3
8	4.4	4.3	3.8	3.1	2.4	1.8	1.3
9	3.2	3.2	2.9	2.4	2	1.5	1.1
10	2.4	2.4	2.2	1.9	1.6	1.3	1

MULTIPLE UNIT FOOTCANDLES						
	2.5' from wall (distance from fixture along wall)			2.5' from wall (distance from fixture along wall)		
	3			4		
1	19.4	16.7	19.4	18.2	10.5	18.2
2	30.4	29.8	30.4	27.7	20.8	27.7
3	30.7	31.9	30.7	27.7	23.8	27.7
4	25.9	28.1	25.9	23	22.3	23
5	19.3	21.5	19.3	16.9	18.2	16.9
6	14	15.5	14	12.3	13.8	12.3
7	10.2	11.1	10.2	9.1	10.2	9.1
8	7.6	8.1	7.6	6.8	7.6	6.8
9	5.7	6.1	5.7	5.2	5.7	5.2
10	4.4	4.6	4.4	4.1	4.4	4.1

Photometric Multipliers (nominal lumen values)

1500 Lumen	2000 Lumen	3000 Lumen	4000 Lumen	6000 Lumen	8000 Lumen
0.72	1.00	1.47	2.06	2.80	3.32

Multipliers for relative lumen values with other series models.

CCT Multipliers – 80CRI

2700K	3000K	3500K	4000K
0.93	0.94	1.00	1.02

Multipliers for relative lumen values with other series color temperatures.

CCT Multipliers – 90CRI

2700K	3000K	3500K	4000K
0.77	0.83	0.87	0.90

Multipliers for relative lumen values with other series color temperatures.

Color Finish Multipliers

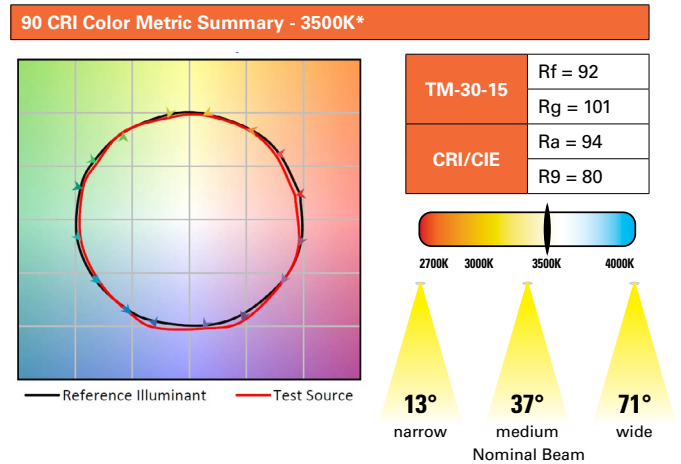
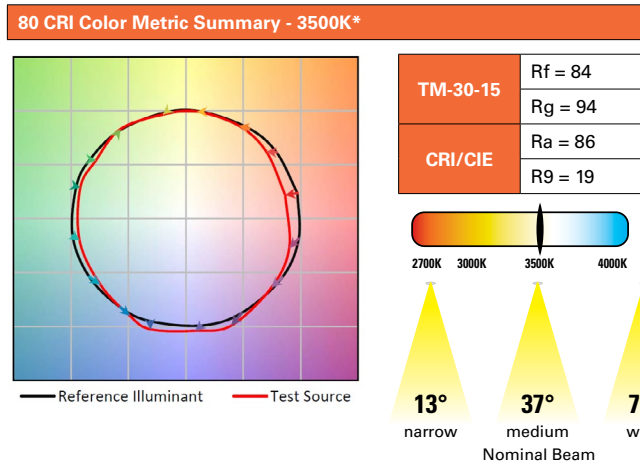
Finish code	C	H	W	BB
Finish	Specular Clear	Semi-Specular	Matte White	Black Baffle (lower cone)
Multiplier	1.00	0.95	0.98	0.89

Multipliers for relative lumen values with other color finishes.

Note: Refer to IES files for more product data.

Energy and Performance Data

COLOR METRICS - TM-30-15 & CRI/CIE (3500K)



ENERGY DATA

Series	1500 lumen		Series	2000 lumen		Series	3000 lumen	
Input Voltage 120-277VAC	120V	277V	Input Voltage 120-277VAC	120V	277V	Input Voltage 120-277VAC	120V	277V
Input Current (A)	0.119	0.055	Input Current (A)	0.176	0.082	Input Current (A)	0.228	0.102
Input Power (W)	14.2	14.9	Input Power (W)	21.1	21.4	Input Power (W)	27.2	27
In-rush (A)	0.212	0.85	In-rush (A)	0.588	0.624	In-rush (A)	0.898	1.7
In-rush Duration (ms)	0.28	0.32	In-rush Duration (ms)	0.3	0.38	In-rush Duration (ms)	0.36	0.38
THD (%)	7.8	16.3	THD (%)	8.8	11.2	THD (%)	9.7	9.3
PF	≥ 0.99	≥ 0.95	PF	≥ 0.99	≥ 0.94	PF	≥ 0.99	≥ 0.96
Minimum starting temperature -40°C (-40°F) (Nominal input 120-277VAC & 100% of rated output power)			Minimum starting temperature -40°C (-40°F) (Nominal input 120-277VAC & 100% of rated output power)			Minimum starting temperature -40°C (-40°F) (Nominal input 120-277VAC & 100% of rated output power)		
Sound Rating: Class A standards			Sound Rating: Class A standards			Sound Rating: Class A standards		

Series	4000 lumen		Series	6000 lumen		Series	8000 lumen	
Input Voltage 120-277VAC	120V	277V	Input Voltage 120-277VAC	120V	277V	Input Voltage 120-277VAC	120V	277V
Input Current (A)	0.345	0.15	Input Current (A)	0.5	0.22	Input Current (A)	0.636	0.29
Input Power (W)	41.3	40.7	Input Power (W)	59.7	59	Input Power (W)	75.8	75
In-rush (A)	1.05	2.23	In-rush (A)	5.4	10.8	In-rush (A)	4.9	9.8
In-rush Duration (ms)	0.32	0.34	In-rush Duration (ms)	0.12	0.154	In-rush Duration (ms)	0.13	0.156
THD (%)	10.06	14.01	THD (%)	12.4	10.8	THD (%)	7.2	12.8
PF	≥ 0.99	≥ 0.97	PF	≥ 0.99	≥ 0.95	PF	≥ 0.99	≥ 0.93
Minimum starting temperature -40°C (-40°F) (Nominal input 120-277VAC & 100% of rated output power)			Minimum starting temperature -40°C (-40°F) (Nominal input 120-277VAC & 100% of rated output power)			Minimum starting temperature -40°C (-40°F) (Nominal input 120-277VAC & 100% of rated output power)		
Sound Rating: Class A standards			Sound Rating: Class A standards			Sound Rating: Class A standards		