

DESCRIPTION

The Fail-Safe CFDFA Cleanroom Troffer is enclosed and gasketed to maintain ceiling integrity and protect against infiltration of particles and airborne bacteria. The housing and door are designed to work with inverted 1" or 1-1/2" T-Grid ceilings (specify 15T option for 2x4).

Catalog #		Type
Project		
Comments		Date
Prepared by		

SPECIFICATION FEATURES

Application

The CFDFA is suitable for use in I.E.S. Class 1,000, 10,000 and 100,000 clean room environments. Applications include cleanrooms, technical and biomedical labs, food processing/testing centers, kitchens and pharmaceutical labs.

Housing

Recessed housing consists of one-piece, code gauge, prime cold rolled steel. End plates are securely attached for sealed construction.

Finish

High gloss, electrostatically applied, white powder coat finish, average minimum reflectance 92%. Matte white anti-microbial paint also available.

Door Frame

Die formed, heavy gauge, flat extruded aluminum door with reinforced corners and baked white enamel finish.

Hinging/ Latching

Two slide-latches with safety screws secure lens frame in the closed position. Lens frame hinges and is removable without the use of tools.

Gasket

One piece continuous gasket surrounds perimeter of lens to seal lens to door frame. Additional gasketing seals door to housing.

Ballast

Electronic Class P, CBM/ETL ballast.

Labels

UL/cUL listed for wet locations under covered ceilings.

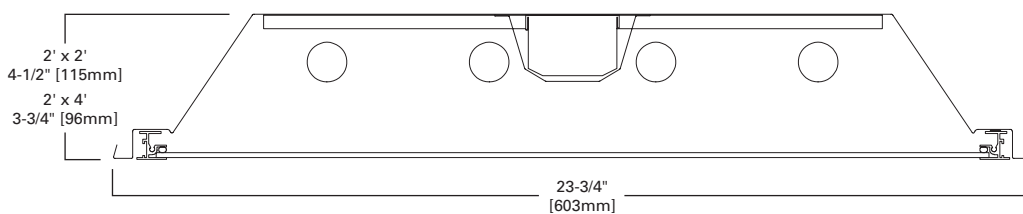


CFDFA

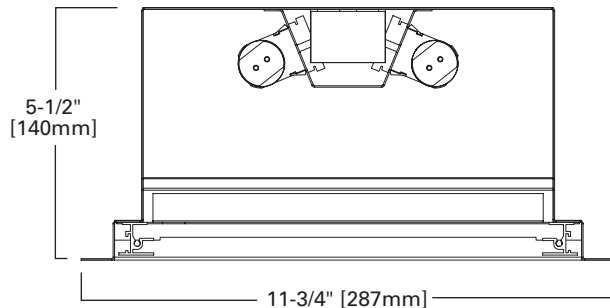
1' x 4'
2' x 2'
2' x 4'
Cleanroom

RECESSED GRID
Inset Flat Door
NEMA Type "G" Grid

2' x 2' / 2' x 4'



1' x 4'



RATINGS

UL/cUL listed
Wet location
Class 1,000
ISO 6-8
Anti-microbial (Optional)

ORDERING INFORMATION

SAMPLE NUMBER: CFDFA-432A125-277-EL4-EB81-U

Product Family	Door Frame	No. of Lamps	Wattage (Length)	Lens ⁴	Voltage	Ballast	Options	Packaging	Accessories (Order Separately)
CFDFA									
Series CFDFA=Fluorescent, Grid, Flat Aluminum Door	Door Frame [Blank]= 24" Wide 12= 12" Wide	2, 3, or 4 Lamps (2' x 2') 2, 3, 4, or 6 Lamps (2' x 4') 1, 2, or 3 Lamps (1' x 4') ²	A125 = #12 Pattern Acrylic (0.125" Nominal thickness) A19/156 = #19 Pattern Acrylic (0.156" Nominal thickness) POLY12/125 = #12 Pattern Polycarbonate (0.125" Nominal thickness) 93 =Prismatic Tempered Glass, 0.156" Thick 89BJ =0.187" Pattern 12 Polycarbonate 89BM =0.140" Pattern 12 Acrylic 89AR =0.140" Pattern 12 Acrylic Acrytuf® 89AN =0.187" Pattern 12 Acrylic Acrytuf® 89CB =0.187" Pattern 19 Acrylic 89BV =0.125" Clear Acrylic 89BW =0.125" Opal Acrylic, Smooth 89AV =0.125" Pattern 12, Acrylic with RFI grid 89AG =0.156" Pattern 19, Acrylic	120 = 120V 277 = 277V 347 = 347V UNV =120V-277V	EB81 =(1) Ballast for use with T8 Lamp, Instant Start EB82 =(2) Ballasts for use with T8 Lamp, Instant Start EB51 =(1) Ballast for use with T5 Lamp EB52 =(2) Ballasts for use with T5 Lamp ER81 =(1) Ballast for use with T8 Lamp, Rapid Start ER82 =(2) Ballasts for use with T8 Lamp, Rapid Start	EL4 =Emergency Battery Pack, 1 T8 lamp EL5 =Emergency Battery Pack, 1 T5 or T5HO lamp GL = Internal Single Element Fusing GM = Internal Double Element Fusing RIF1 =Radio Interference Suppressor 15T =Compatible ¹ with 1 1/2" T-Grid Ceilings (2' x 4' only) G3 = Gasket applied to housing lip to seal against grid AM =Antimicrobial Finish MSC4 =Mounting Safety Clips (4) and Hardware	U =Unit Pack (2' x 4' only)	MSC4-PK =Mounting Safety Clips (4) with hardware. Attach to ends of grid fixture with self tapping screws (included) to either secure fixture to grid or to attach tie-wiring to clips. DFCL-2448W-U =Fail-Safe 2' x 4' Drywall Framing Kit, White with Gasketing ³ DFCL-1248W-U =Fail-Safe 1' x 4' Drywall Flange Kit, White with Gasketing ³ DFCL-2424W-U =Fail-Safe 2' x 2' Drywall Framing Kit, White with Gasketing ³ Replace "W" with "AMW" for anti-microbial finish (DFCL-2448W-U to DFCL-2448AMW-U) DFCL Cut-out Dimensions 2x4: 24.25" x 48.25" 1x4: 12.25" x 48.25" 2x2: 24.25" x 24.25"	

Notes:

- ¹ 2' x 2', 1' x 4' compatible with 1-1/2" T-grid system. Specify the 15T option for 1-1/2" T-grid compatibility when specifying the 2' x 4'.
- ² 1' x 4' unit available 254T5HO maximum. (3) T8 or (3) T5 standard.
- ³ Assembled in the field. (4) corner brackets, (2) side extensions, (2) end extrusions. Gasketing to be applied to outer edge, for tight seal against ceiling.
- ⁴ Prismatic lens are installed with the prisms facing inside luminaire, smooth side of lens facing room side.