

Project		Catalog #		Type	
Prepared by		Notes		Date	



Fail-Safe

Medical Wall LED

2', 3', 4' Decorative Wall Mount with Patient Bedlight Controls

Typical Applications

Healthcare • Patient Rooms

Interactive Menu

- Order Information page 2
- Photometric Data page 2
- VividTune page 3
- Product Warranty

Product Certification



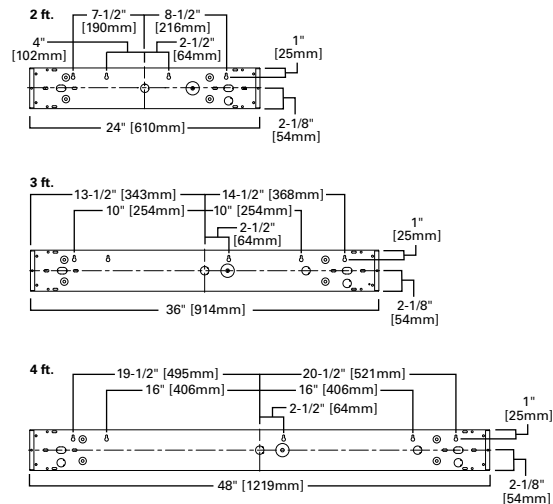
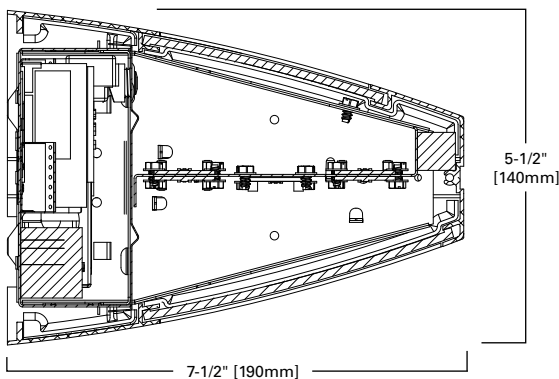
Product Features



Top Product Features

- Indirect and direct illumination
- Decorative Trim Finishes Available
- WaveLinX and White Tuning options
- Up to 13900 Combined Lumens
- Nurse Call System integration

Dimensional and Mounting Details



Order Information

SAMPLE ORDER NUMBER: **MWL-4-42/73-120-L840-EDD2-BH-BT-LVCD**

Configuration	Length	Uplight	Downlight	Voltage	CCT
MWL =Medical Wall LED MWLDL =Medical Wall LED Downlight Only	2=2 ft. ⁽¹⁾ 3=3 ft. ⁽²⁾ 4=4 ft. ⁽³⁾	2 ft. 13=1300 3 ft. ^{(5), (6)} 27=2700 4 ft. 18=1800 30=3000 34=3400 22=2200 37=3700 42=4200 28=2800 44=4400 55=5500 35=3500 53=5300 66=6600	2 ft. 13=1300 3 ft. ^{(7), (8)} 25=2500 4 ft. 17=1700 28=2800 33=3300 23=2300 33=3300 45=4500 31=3100 47=4700 60=6000 38=3800 57=5700 73=7300	UNV =Universal Voltage 120-277 120 =120 Volt 277 =277 Volt 347 =347 Volt	L830 =80CRI, 3000K L835 =80CRI, 3500K L840 =80CRI, 4000K L930 =90CRI, 3000K L935 =90CRI, 3500K L940 =90CRI, 4000K L83050 =80CRI, 3000K-5000K white tuning ⁽⁹⁾ L82765 =80CRI, 2700K-6500K white tuning ⁽⁹⁾ L93050 =90CRI, 3000K-5000K white tuning ⁽⁹⁾ L92765 =90CRI, 2700K-6500K white tuning ⁽⁹⁾
	Notes (1) 2ft not available with emergency, nightlight, or low voltage relay options. (2) EL14W, GTR2 and ETRD not available in 3ft. (3) EM, LVCP and LVCD not available above 4700 lumens uplight or 4500 lumens downlight.	Notes (4) Leave blank for MWLDL. (5) 3ft not available with 53/47, 53/57, 44/47, 44/57 lumen package combinations. (6) EL7 not available with LLNL/LLNUL, LVCP, ETRD, or GTR2.	Notes (7) 3ft not available with 53/47, 53/57, 44/47, 44/57 lumen package combinations. (8) EL7 not available with LLNL/LLNUL, LVCP, ETRD, or GTR2.		Notes (9) Not available in 3ft fixture.

Driver	Number of Drivers	Finish	Trim	Options
EDD =0-10V 10% Dimming Driver ⁽¹⁰⁾ ED1D =0-10V 1% Dimming Driver ⁽¹⁰⁾ L5 =Lutron 5 Series 5% Ecosystem Driver LH =Lutron HiLume 1% Ecosystem Driver W2A =White Tuning, 2ch Intensity and CCT Control ⁽¹¹⁾ WN =WaveLinX Wireless Fixture, No Sensor	1=1 Driver ⁽¹³⁾ 2=2 Drivers ⁽¹⁴⁾	[Blank] =Brushed Aluminum Finish BH =Black Finish WH =White Finish IH =Almond Finish	[Blank] =Silver Trim WNT =Walnut Trim BT =Black Accent Trim WT =White Trim	EL7W =7W Emergency Battery Pack ^{(15), (17)} EL14W =14W Emergency Battery Pack ^{(15), (16), (17)} ETRD =Iota Emergency Transfer Relay with dimming control ^{(15), (16), (17)} GTR2 =Bodine Generator Transfer Relay ^{(15), (16), (17)} CO =Convenience Outlet (120V only) PS1 =Single Circuit Pull Chain (EDD1/only), (120V only) PS1D =Single Circuit Pull Chain Down with EDD2/ED1D2 only), (120V only) PS4 =Two Circuit Pull Chain (120V only) LLNL =LED Nightlight (downlight compartment) ^{(18), (19), (20)} LLNLU =LED Nightlight (uplight compartment) ^{(18), (19), (20), (23)} LVCP =Low Voltage Relay ^{(21), (22)} LVCD =Dimmable Low Voltage Relay ^{(21), (22)}
Notes (10) Low Voltage Relays for use with EDD and ED1D drivers only. (11) Not available in 3ft fixture.	Notes (12) Number of drivers does not include nightlight driver which is always separate. (13) 1 driver only available with MWLDL. (14) 2 drivers only available on MWL.			Notes (15) Not available in 2ft. (16) Not available in 3ft. (17) 4ft with LVCP and emergency not available above 42/45 lumen output. (18) LLNL and LLNLU not available on 2ft fixtures. (19) LLNL and LLNLU not available on 3ft units with over 7000 total lumens (combined uplight and downlight). (20) LLNL and LLNLU not available on 4ft units with over 7100 total lumens (combined uplight and downlight). (21) Must specify voltage as 120 or 277, not available 347V. (22) With MWLDL, the LVCP and LVCD options only control the downlight. On MWL, one circuit controls the uplight, the second circuit controls the downlight. (23) Not available with MWLDL.

Product Specifications

Lens Housing Construction

- Extruded aluminum housing with a brushed finish
- Injection molded plastic endcaps with brushed aluminum finish
- Decorative trim on front strip and endcaps

Internal Channel Construction

- Steel channel housing electrical components
- LEDs mounted to a steel reflector

Latching

- Lens housing secured to internal channel by spring-loaded latches

Shielding

- Downlight diffuser is 100% prismatic acrylic, #12 pattern with .080 lumens
- Low brightness even illumination is provided
- Uplight is .125 prismatic acrylic, #12 pattern

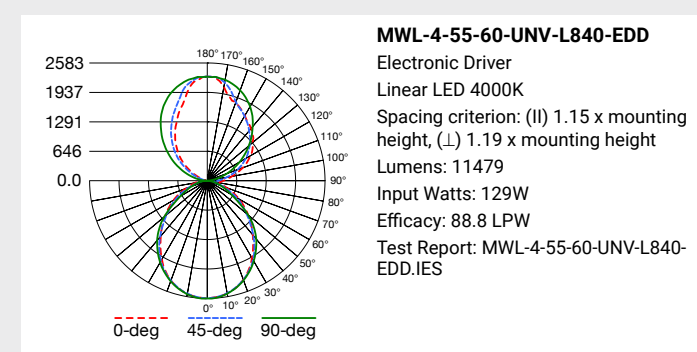
Warranty

- Five year warranty standard

Photometric Data

Note: The suffix "Hi", "Lo", "Mid" represents the lumen selector switch setting. This is not part of the catalog number.

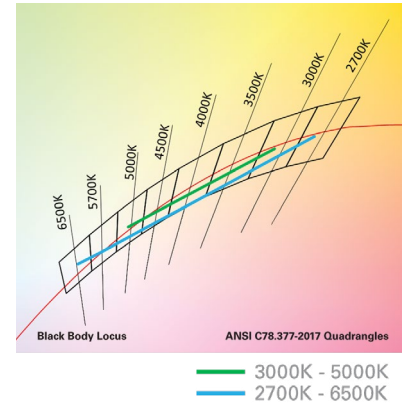
[View IES files](#)





MWL Medical Wall LED LED with VividTune Tunable White

VividTune tunable white luminaires from Cooper Lighting Solutions deliver high-quality light in a broad range of continuously variable color temperatures and intensities. Create a dynamic environment by adjusting the ambient light warmer or cooler to influence mood, support the task at hand, or create a dramatic ambience. The ability to control correlated color temperature and intensity separately using simple controls is the next evolution of LED lighting for the commercial, educational, healthcare and hospitality space. The unparalleled flexibility and number of available lighting environments enable users to find the right light with tunable white.



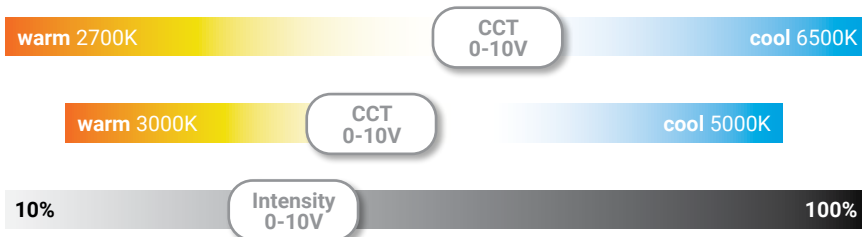
Performance Data*

Tunable White - Lumen Adjustment Factors				
CCT	3000K-5000K		2700K-6500K	
	80 CRI	90 CRI	80 CRI	90 CRI
2700K	-	-	0.878	0.750
3000K	0.904	0.744	0.903	0.779
3500K	0.956	0.813	0.934	0.819
4000K	1.004	0.878	0.954	0.844
4500K	1.014	0.893	0.972	0.866
5000K	1.014	0.893	0.985	0.884
6500K	-	-	0.999	0.908

Medical Wall LED - Example of Approximate Lumen Calculation			
	Standard Catalog #	VividTune 80 CRI Catalog #	VividTune 90 CRI Catalog #
	MWLDL-4-45-UNV-L835-EDD1	MWLDL-4-45-UNV-L83050-W2A1	MWLDL-4-45-UNV-L93050-W2A1
CCT Setting			
3000K	-	4009	3300
3500K	4435	4240	3606
4000K	-	4453	3894
4500K	-	4497	3960
5000K	-	4497	3960

Controlling VividTune Tunable White

VividTune luminaires make tunable white more accessible by using simple and familiar controls. From wall dimmers to wireless controls, VividTune tunable white luminaires are compatible with industry standard 0-10V dimming controls. A single 0-10V dimming input is used to control intensity (brightness) while a second 0-10V dimming input is used to adjust CCT. For suggested control configurations, go to www.cooperlighting.com for tunable white application guides.



Example of Lumen Adjustment Calculation

MWLDL-4-45-UNV-L83050-W2A1 at 80 CRI tuned to 3500K

Adjusted Lumen = published lm x adjusted lm factor

Adjusted Lumen = 4435 x 0.956

Adjusted Lumen = 4453 lm

* Lumen adjustment factors are for reference and may be different for each product selected. Refer to IES files for actual performance data on each.