

DESCRIPTION

The Fail-Safe FMS combines maximum security construction features with energy saving technology. This surface mounted luminaire utilizes a one-piece housing, security lensing and tamper-resistant fasteners to maximize impact resistance and prevent contraband concealment and unauthorized fixture penetration. Ceiling mount. UL/cUL listed for damp locations. The FMS is ideal for confinement/security applications. Suitable for use in inmate cells, psychiatric wards, secure corridors and general population areas.

Catalog #		Type	
Project		Date	
Comments			
Prepared by			

SPECIFICATION FEATURES

Fasteners

Stainless steel tamper-resistant T20 TORX® screws with center pin reject are standard. Allen-head screws with center pin reject optional.

Housing

Die-formed 12-18 ga. CRS body with continuous welded and ground ends to form a one-piece, seamless housing for maximum impact resistance and prevention of unauthorized fixture penetration.

Finish

High gloss, electrostatically applied, white powder coat finish, average minimum reflectance 92%.

Hinge

Continuous, stainless steel piano hinge (1/4" diameter knuckle) with welded pin end to prevent removal.

Door

One-piece, CRS door frame with die-formed edges and tightly closed corners increases rigidity.

Light Mask

Black fixture gasket prevents light leaks.

Lens

Choice of prismatic acrylic, prismatic polycarbonate or prismatic tempered glass on fixture side, clear polycarbonate or clear tempered glass on environmental side. See Lens Options.

Lamps

By others.

Lens Retention

Lens secured by thru-studs and vertically adjustable internal CRS hold-downs.

Ballast

Electronic Class P, CBM/ETL ballast.

Labels

UL/cUL listed for damp locations. Wet location under covered ceiling optional.

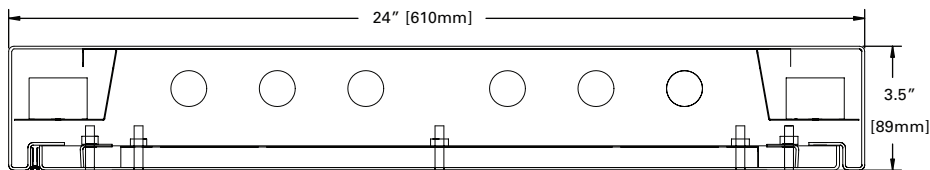


FMS24

T5
Biaxial
T8
Fluorescent
Confinement/Correctional

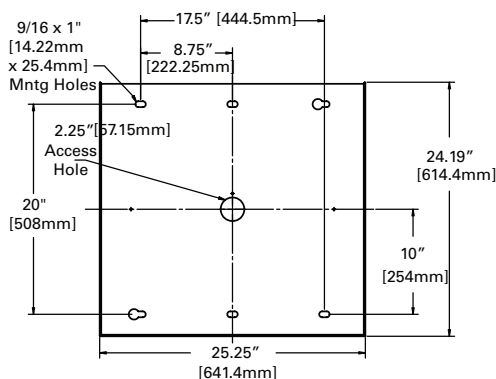
SURFACE

2 X 2 / 2 X 4 CROSS-SECTION

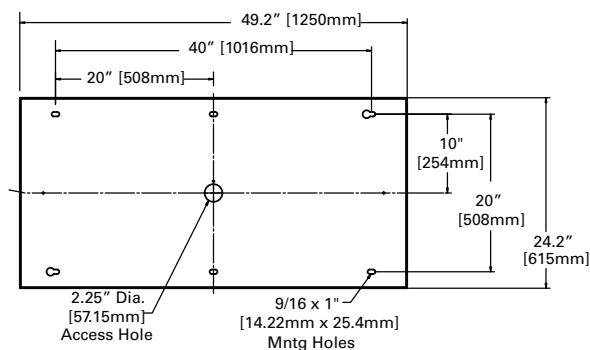


MOUNTING DIMENSIONS

2 x 2



2 x 4



TORX® is a registered trademark of Camcar Division of Textron Inc.

ORDERING INFORMATION

SAMPLE NUMBER: FMS-X24-332-UNV-80/86-EB81-SSN-SF3

Product Family	Steel Gauge	Fixture Width	Lamp Type	Voltage ²	Lens Type	Ballast	Options		
FMS		24			/				
<p>FMS=Maximum Security Surface Luminaire</p> <p>S = 12 ga. (Ultimax) X = 14 ga. (Maximum) D = 16 ga. (Medium) N = 18 ga. (Minimum)</p> <p>24= 24" Wide</p>		<p>120=120V 277=277V UNV=120V-277V 347=347V</p>		<p>Inner Layer (optional) 90=0.005 UV Absorbing Overlay</p> <p>Fixture Side³ 80=0.125 Prismatic Acrylic 81=0.156 Prismatic Polycarbonate 82=0.187 Prismatic Polycarbonate 84=0.125 Clear Polycarbonate 93=0.156 Prismatic Tempered Glass</p>		<p>Environmental Side³ 84=0.125 Clear Polycarbonate 85=.187 Clear Polycarbonate 86=0.250 Clear Polycarbonate 87=0.375 Clear Polycarbonate 88=0.500 Clear Polycarbonate 94=0.187 Clear Tempered Glass 96=0.250 Clear Tempered Glass 97=0.375 Clear Tempered Glass 98=0.500 Clear Tempered Glass 99AR=0.750 Clear Tempered Glass</p>		<p>Electronic Ballasts¹ EB81=One Ballast for use with T8 Lamp EB82=Two Ballasts for use with T8 Lamp EB83=Three Ballasts for use with T8 Lamp EBT1=One Ballast for use with Compact Lamp EBT2=Two Ballasts for use with Compact Lamp EBX1=One Ballast for use with Biaxial Lamp EBX2=Two Ballasts for use with Biaxial Lamp EB51=One Ballast for use with T5 Lamp EB52=Two Ballasts for use with T5 Lamp EB53=Three Ballasts for use with T5 Lamp</p> <p>EL4=EM Pack, T8, Biax EL5=EM Pack, T5, T5HO FNL=Fluorescent Night Light, 5, 7, 9W⁶ FNL13=Fluorescent Night Light, 13W⁶ LNL=LED Night Light GLR=Fuse and Holder SPK=Speaker Housing Compartment (extends housing) WL=Wet Label (under covered ceiling) RGT=Removable Gear Tray</p> <p>On / Off Switches SPS=Security Push Button Switch⁵</p> <p>Stainless Steel Fixture SSN=Natural Brushed Finish SSP=Polyester Powder Coat Finish</p> <p>Fasteners SF3=Allen-Head (center pin reject)</p>	
<p>2' Nom. Length⁴ T5 Fluorescent 214=(2) 14W Lamp 314=(3) 14W Lamps 414=(4) 14W Lamps 224=(2) 24W Lamps 324=(3) 24W Lamps 424=(4) 24W Lamps</p> <p>T8 Fluorescent 217=(2) 17W Lamps 317=(3) 17W Lamps 417=(4) 17W Lamps 617=(6) 17W Lamps</p> <p>Biaxial Fluorescent 240BX=(2) 40WLamps 340BX(3) 40W Lamps</p> <p>T8 U Lamp 2U6T8=(2) 32WLamps 2U15/8=(2) 31W Lamps 3U15/8=(3) 31W Lamps</p>		<p>4' Nom. Length T5 Fluorescent 228=(2) 28W Lamps 328=(3) 28W Lamps 428=(4) 28W Lamps 254=(2) 54W Lamps 354=(3) 54W Lamps 454=(4) 54W Lamps 628=(6) 28W Lamps 654=(6) 54W Lamps</p> <p>T8 Fluorescent 232=(2) 32W Lamps 332=(3) 32W Lamps 432=(4) 32W Lamps 632=(6) 32W Lamps</p>		<p>Notes:</p> <p>1 For specific electronic ballast, specify brand and catalog number. 2 Products also available in non-US voltages and 50 Hz for international markets. Consult your Cooper Lighting Solutions Representative for availability and ordering information. 3 Refer to Lens Ordering Guide for additional lens choices. 4 Not available with (2)T5 or (2)T5HO ballasts and EM Pack. 5 120V only. 6 Requires specific voltage.</p>		<p>Accessories (order separately)</p> <p>9306 = Allen-Head Wrench VRSD=T20 Center Pin Tamper-proof TORX[®]-Head screwdriver</p>			