

DESCRIPTION

Corelite's Navigator II suspended direct-indirect fluorescent luminaire features a rugged aluminum construction, elegant styling, micro-prismatic lens and optional adjustable uplight and downlight optics for evolving interior spaces.

Table with 2 columns: Catalog #, Project, Comments, Prepared by; Type, Date.

SPECIFICATION FEATURES

A ... Construction

Housing is 6063 T5 aluminum extrusion forming a 9" x 2-7/8" rounded profile.

B ... End Caps

Standard end caps are precision die-cast aluminum, mechanically attached without exposed fasteners.

C ... Lens

Lens is .125" thick clear micro-prismatic acrylic material offering 91% transmission.

D ... Reflectors

Reflector pan is painted with a high reflectance white powder coat finish.

E ... Electrical

Fixtures are prewired with quick wire connectors and use UL listed Class P, 265ma T8 instant start universal voltage electronic ballasts.

F ... Finish

Fixture housings are standard white using electrostatically applied polyester powder coat paint.

Mounting

Standard aircraft cable mounts on 4'-0", 8'-0" and 12'-0" centers.



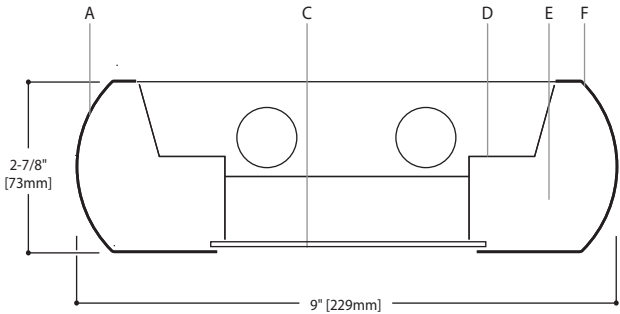
Navigator II Micro Prismatic Lens

2T8

Suspended Direct/Indirect

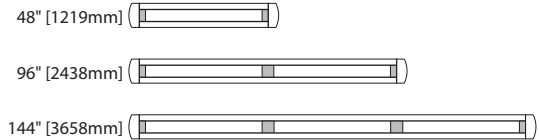
Light Distribution

Indirect - 68.2% Direct - 31.8%



End Cap Side View

MODULES AND DIMENSIONS\*



\*Dimensions do not include end caps.



SLIDE-N-LOCK™

ORDERING INFORMATION

Sample Number: NB-WM-2T8-1C-UNV-AC48-T1-12

Ordering information grid with categories: Series, Optics Up/Down, Number of Lamps, Lamp Type, Number of Circuits, Wiring, Voltage, Suspension, Power Feed, Suspension Length, Ceiling Type, Run Length, and Options.

Notes: 1 Not all options available. Please consult your Cooper Lighting Solutions Representative for availability. 2 Consult adder section of the price guide for additional standard lengths.



NB-SM-2T8  
(2) F32T8/TL841  
3000 Lumens

Efficiency 93.3%

Test Report  
#ITL63566

Coefficients of Utilization

rc	Effective floor cavity reflectance																																					
	80%				70%				20%				50%				30%				10%				0%													
rw	70	50	30	10	70	50	30	10	50	30	10	50	30	10	50	30	10	50	30	10	50	30	10	50	30	10	50	30	10	50	30	10	50	30	10	50	30	10
RCR	0	96	96	96	96	86	86	86	86	68	68	68	68	52	52	52	52	37	37	37	37	22	22	22	22	17	17	17	17	12	12	12	12	9	9	9	9	
	1	88	84	81	78	79	76	73	70	60	58	57	46	45	44	33	32	32	32	32	32	26	25	24	19	17	17	17	17	13	13	13	13	10	10	10	10	
	2	80	74	68	64	72	67	62	58	53	50	47	41	39	37	29	28	27	27	27	27	22	22	22	22	17	17	17	17	13	13	13	13	10	10	10	10	
	3	73	65	59	54	66	59	53	49	47	43	40	36	34	32	26	25	24	24	24	24	19	19	19	19	15	15	15	15	11	11	11	11	9	9	9	9	
	4	67	58	51	45	60	52	46	42	42	38	34	33	30	27	24	22	21	21	21	21	17	17	17	17	13	13	13	13	10	10	10	10	9	9	9	9	
	5	62	51	44	39	55	47	41	36	38	33	30	29	26	24	22	20	18	18	18	18	15	15	15	15	11	11	11	11	9	9	9	9	9	9	9	9	
	6	57	46	39	34	51	42	36	31	34	29	26	27	23	21	20	18	16	16	16	16	13	13	13	13	10	10	10	10	9	9	9	9	9	9	9	9	
	7	53	42	35	30	47	38	32	27	31	26	23	24	21	19	18	16	14	14	14	14	12	12	12	12	9	9	9	9	9	9	9	9	9	9	9	9	
	8	49	38	31	26	44	34	28	24	28	24	20	22	19	17	17	14	13	13	13	13	10	10	10	10	9	9	9	9	9	9	9	9	9	9	9	9	
	9	45	34	28	23	41	31	26	22	26	21	18	20	17	15	15	13	12	12	12	12	10	10	10	10	9	9	9	9	9	9	9	9	9	9	9	9	
	10	42	31	25	21	38	29	23	19	24	19	16	19	16	13	14	12	11	11	11	11	9	9	9	9	9	9	9	9	9	9	9	9	9	9	9	9	

Candela

Angle	Along II	45°	Across I_
0	776	776	776
5	776	771	763
15	741	740	734
25	677	691	694
35	594	602	576
45	493	423	392
55	318	251	201
65	172	122	113
75	65	64	65
85	9	19	18
90	0	0	0
95	45	62	30
105	188	440	411
115	353	712	795
125	507	785	1008
135	649	817	997
145	759	866	956
155	845	914	947
165	902	926	950
175	931	932	928
180	928	928	928

Zonal Lumen Summary

Zone	Lumens	%Lamp	%Fixture
0-30	598	10.1	10.9
0-40	968	16.4	17.6
0-60	1526	25.9	27.7
0-90	1749	29.6	31.8
40-90	781	13.2	14.2
60-90	223	3.7	4.1
90-180	3758	63.7	68.2
0-180	5507	93.3	100.0

Luminance Data

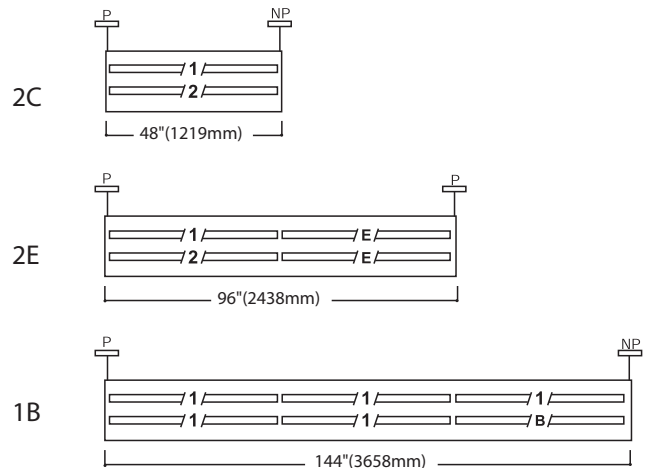
Angle in Deg	0-Deg cd/sm	45-Deg cd/sm	90-Deg cd/sm
45	3058	2624	2431
55	2432	1919	1537
65	1785	1266	1173
75	1101	1085	1101
85	453	956	906

COMMON CIRCUIT CONFIGURATIONS FOR TWO LAMP SUSPENDED FIXTURE

- 2C=Two circuit luminaire
- 2E=Two circuit luminaire with emergency circuit
- 1B=Single circuit luminaire with battery pack

- /1/ =Circuit 1
- /2/ =Circuit 2
- /E/ =Emergency Circuit
- /B/ =Battery Circuit

- =Power Mount
- =Non-Power Mount



STANDARD ROW CONFIGURATIONS

FIXTURE LENGTH	4'	8'	12'	16'	20'	24'	28'	32'	36'	40'	44'	48'	52'	56'	60'	64'	68'	72'	76'	80'	84'	88'	92'	96'	100'	104'	108'
4'	1																										
8'		1	2	1		2	1		2	1		2	1		2	1		2	1		2	1		2	1		
12'			1	1	2	1	2	3	2	3	4	3	4	5	4	5	6	5	6	7	6	7	8	7	8	9	