

## DESCRIPTION

Corelite's Navigator II suspended direct-indirect fluorescent luminaire features a rugged aluminum construction, elegant styling, micro-prismatic lens and optional adjustable uplight and downlight optics for evolving interior spaces. Our Slide-N-Lock™ optics accessory allows the designer to adjust the amount of uplight and downlight for a particular application. The Navigator II may be mounted individually or continuously with 4', 8' and 12' modular sections. Luminaires align with T-Grid and interface with all ceiling types. The Navigator II is suited for open offices, private offices, conference rooms, trading floors, reception areas and educational facilities.

<b>Catalog #</b>		<b>Type</b>
<b>Project</b>		
<b>Comments</b>		<b>Date</b>
<b>Prepared by</b>		

## SPECIFICATION FEATURES

### A ... Construction

Housing is 6063 T5 aluminum extrusion forming a 9" x 2-7/8" rounded profile. Standard 4'-0", 8'-0" and 12'-0" fixture lengths combine for continuous runs.

### B ... End Caps

Standard end caps are precision die-cast aluminum, mechanically attached without exposed fasteners.

### C ... Lens

Lens is .125" thick clear micro-prismatic acrylic material offering 91% transmission.

### D ... Reflectors

Reflector pan is painted with a high reflectance white powder coat finish. Optional die-formed side reflectors are highly specular anodized aluminum.

### E ... Electrical

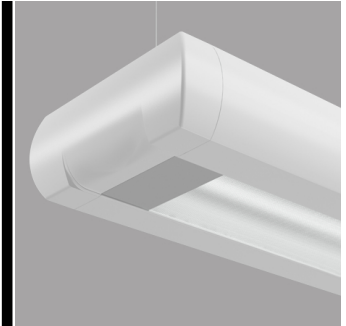
T5/T5HO fixtures are pre-wired with quick wire connectors and use UL listed Class P, T5/T5HO program rapid start universal voltage electronic ballasts, power factor of 97% with less than 10% THD. Fixtures and electrical components certified to UL and CUL standards.

### F ... Finish

Fixture housings are standard white using electrostatically applied polyester powder coat paint.

### Mounting

Standard aircraft cable mounts on 4'-0", 8'-0" and 12'-0" centers. Refer to installation section for various ceiling interface details and rigid pendant mounting details.



## Navigator II Micro Prismatic Lens

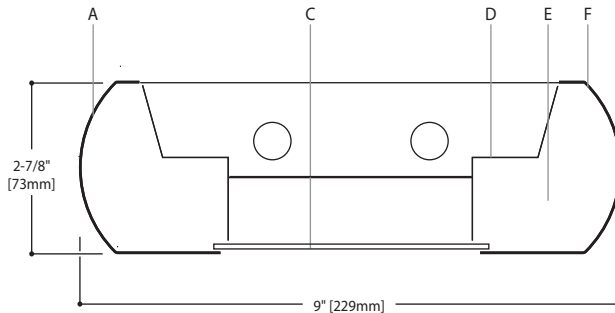
2T5  
2T5HO

**Suspended**  
**Direct/Indirect**

**Light Distribution**  
Indirect - 69.5%  
Direct - 30.5%

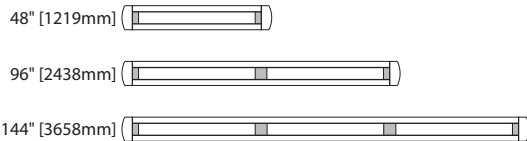


SLIDE-N-LOCK™



End Cap Side View

MODULES AND DIMENSIONS\*



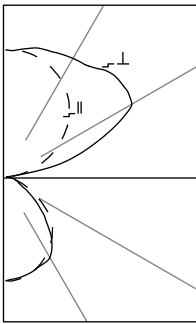
\*Dimensions do not include end caps.

## ORDERING INFORMATION

Sample Number: **NB-WM-2T5-1C-UNV-AC48-T1-12**

<b>Series</b> <b>NB</b> : Navigator II Suspended	<b>Number of Lamps</b> <b>2</b> : 2 Lamps	<b>Wiring</b> <sup>1</sup> <b>B</b> : Battery Pack <b>C</b> : Standard Circuit <b>D</b> : Dimming <b>E</b> : Emergency <b>T</b> : Nightlight <b>Y</b> : Daylight	<b>Voltage</b> <sup>1</sup> <b>120</b> : 120V <b>277</b> : 277V <b>347</b> : 347V <b>UNV</b> : Universal (120V-277V)	<b>Suspension Length</b> <b>Adjustable Cable</b> 48", 120", 240", 300", or 360" (infinite adjustment along entire length of cable) <b>Rigid Pendant</b> <sup>2</sup> 12", 15", 18", 21", 24", or 27"	<b>Ceiling Type</b> <b>T1</b> : 1" T-Bar <b>T9</b> : 9/16" T-Bar <b>TS</b> : Slotted T-Bar <b>ST</b> : Structure <b>JB</b> : 4" Octagonal J-Box	<b>Options</b> <b>Slide-N-Lock™</b> <b>DL1</b> <b>DL2</b> <b>DL3</b> <b>DL4</b> <b>DL5</b> <b>DL6</b> <b>DL7</b> <b>DL8</b>
<b>Optics Up</b> <b>S</b> : Specular <b>W</b> : White	<b>Lamp Type</b> <b>N5</b> : T5 Normal Output <b>T5</b> : T5 High Output		<b>Suspension</b> <b>A</b> : Aircraft Cable <b>P</b> : Rigid Pendant		<b>Run Length</b> <b>Individually Mounted</b> Luminaires may be 4', 8', or 12' in length <b>Continuously Mounted</b> Standard row configurations over 12' consist of 8' and 12' sections	
<b>Optics Down</b> <b>M</b> : Micro Prismatic Lens	<b>Number of Circuits</b> <sup>1</sup> <b>1</b> : 1 Circuit <b>2</b> : 2 Circuits		<b>Power Feed</b> <sup>1</sup> <b>C</b> : Straight Cord <b>K</b> : Curly Cord <b>P</b> : Rigid Pendant			

Notes: 1 Not all options available. Please consult your Cooper Lighting Solutions Representative for availability.  
2 Consult adder section of the price guide for additional standard lengths.



NB-SM-2T5  
(2) FP54/841/HO  
4500 Lumens

Efficiency 94.0%

Test Report  
#ITL63572

**Coefficients of Utilization**

rc	Effective floor cavity reflectance												0%						
	80%			70%			20%			50%				10%					
rw	70	50	30	10	70	50	30	10	50	30	10	50	30	10	50	30	10	0	
RCR	0	96	96	96	86	86	86	86	68	68	68	51	51	51	36	36	36	29	
	1	88	84	81	78	79	76	73	70	60	58	56	46	44	43	32	32	31	25
	2	81	74	69	64	72	67	62	58	53	50	47	40	38	37	29	28	27	21
	3	74	65	59	54	66	59	53	49	47	43	40	36	34	31	26	24	23	18
	4	67	58	51	46	60	52	46	42	42	38	34	32	29	27	23	21	20	16
	5	62	52	44	39	55	47	41	36	38	33	30	29	26	24	21	19	18	14
	6	57	46	39	34	51	42	36	31	34	29	26	26	23	21	19	17	16	13
	7	53	42	35	30	47	38	32	27	31	26	23	24	21	18	17	15	14	11
	8	49	38	31	26	44	34	28	24	28	23	20	22	19	16	16	14	12	10
	9	45	34	28	23	41	31	25	21	25	21	18	20	17	15	15	13	11	9
	10	42	31	25	21	38	29	23	19	23	19	16	18	15	13	14	12	10	8

**Candela**

Angle	Along II	45°	Across I_
0	1109	1109	1109
5	1109	1103	1093
15	1061	1061	1056
25	967	989	1007
35	845	880	861
45	704	620	583
55	463	373	316
65	242	177	153
75	90	96	98
85	13	27	26
90	0	0	0
95	62	35	22
105	272	699	697
115	520	1140	1298
125	752	1243	1591
135	961	1258	1575
145	1125	1325	1468
155	1242	1370	1442
165	1323	1389	1421
175	1359	1360	1361
180	1357	1357	1357

**Zonal Lumen Summary**

Zone	Lumens	%Lamp	%Fixture
0-30	859	9.7	10.3
0-40	1398	15.7	16.7
0-60	2224	25.0	26.6
0-90	2549	28.6	30.5
40-90	1151	12.9	13.8
60-90	325	3.6	3.9
90-180	5816	65.3	69.5
0-180	8365	94.0	100.00

**Luminance Data**

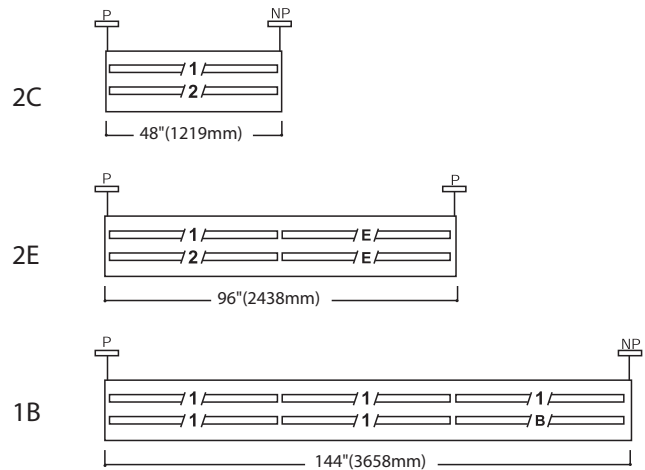
Angle in Deg	0-Deg cd/sm	45-Deg cd/sm	90-Deg cd/sm
45	4367	3846	3616
55	3540	2852	2416
65	2511	1837	1588
75	1525	1627	1661
85	654	1359	1308

**COMMON CIRCUIT CONFIGURATIONS FOR TWO LAMP SUSPENDED FIXTURE**

- 2C=Two circuit luminaire
- 2E=Two circuit luminaire with emergency circuit
- 1B=Single circuit luminaire with battery pack

- /1/ =Circuit 1
- /2/ =Circuit 2
- /E/ =Emergency Circuit
- /B/ =Battery Circuit

- =Power Mount
- =Non-Power Mount



**STANDARD ROW CONFIGURATIONS**

FIXTURE LENGTH	4'	8'	12'	16'	20'	24'	28'	32'	36'	40'	44'	48'	52'	56'	60'	64'	68'	72'	76'	80'	84'	88'	92'	96'	100'	104'	108'	
4'	1																											
8'		1		2	1		2	1		2	1		2	1		2	1		2	1		2	1		2	1		
12'			1		1	2	1	2	3	2	3	4	3	4	5	4	5	6	5	6	7	6	7	8	7	8	9	