

**DESCRIPTION**

Corelite's Iridium Perf suspended semi-indirect fluorescent luminaire features elegant styling with sleek profile end caps. The engineered optical system provides a widespread upright distribution for excellent ceiling uniformity and wide row spacing. The perforated fixture housing creates a soft downlight component to closely match the ceiling brightness, which minimizes contrast on computer screens. Iridium may be mounted individually or continuously with 4', 8' and 12' modular sections. Luminaires align with T-Grid and interface with all ceiling types. Iridium is suited for open offices, private offices, conference rooms, corridors, schools, libraries, labs and public spaces.

**SPECIFICATION FEATURES**

**A ... Construction**

Housing is one piece die-formed cold rolled steel, forming a 9" x 2-1/2 architectural profile. Standard 4'-0", 8'-0", and 12'-0" fixture lengths combine for continuous runs.

**B ... End Caps**

Standard Straight and optional Beveled end caps are precision die-cast aluminum mechanically attached without exposed fasteners.

**C ... Reflectors**

Reflector pan is painted with a high reflectance white powder coat finish. Optional die-formed side reflectors are highly specular anodized aluminum.

**D ... Electrical**

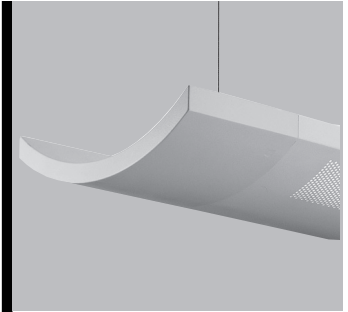
Fixtures are prewired with quick wire connectors and use UL listed Class P, 265ma T8 instant start universal voltage electronic ballasts. Power factor of 95% with less than 10% THD. Fixtures and electrical components certified to UL and CUL standards.

**E ... Finish**

Fixture housings are standard white using electrostatically applied polyester powder coat paint.

**Mounting**

Standard aircraft cable mounts on 4'-0", 8'-0" and 12'-0" centers. Refer to installation section for various ceiling interface details and rigid pendant mounting details.

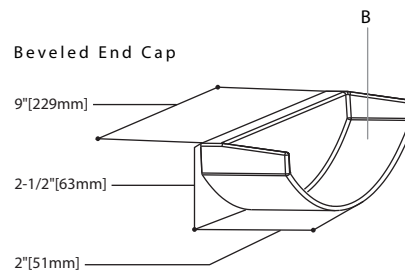
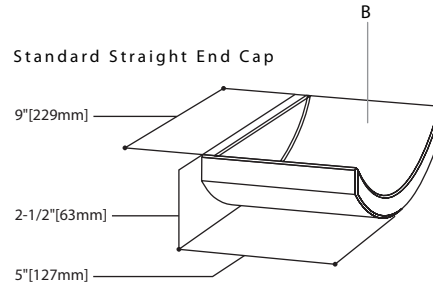
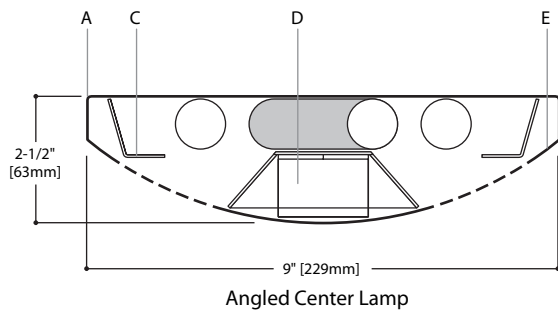


**Iridium Perf**

3T8

**Suspended  
Semi-Indirect**

**Light Distribution**  
Indirect - 93.2%  
Direct - 6.8%



**MODULES AND DIMENSIONS\***

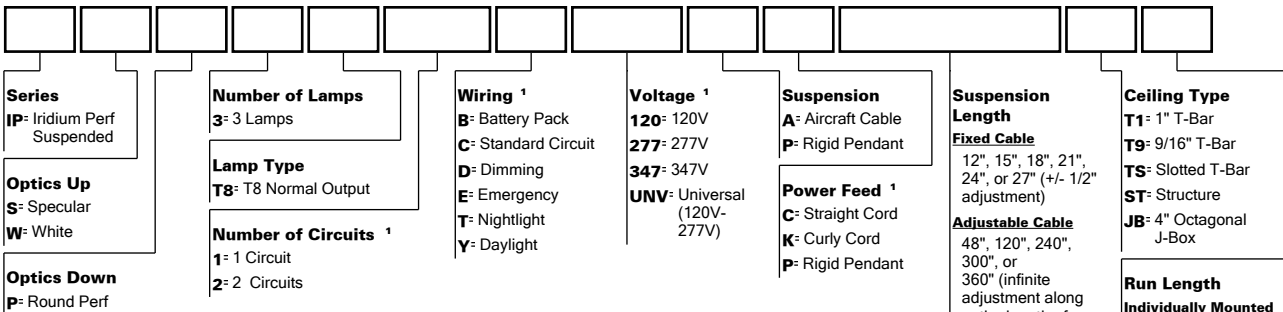


\*Dimensions do not include end caps.



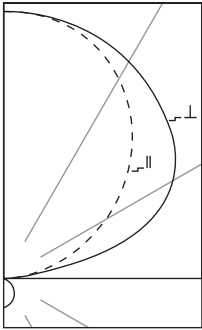
**ORDERING INFORMATION**

Sample Number: IP-WP-3T8-1C-UNV-AC48-T1-12-ES



Notes: 1 Not all options available. Please consult your Cooper Lighting Solutions Representative for availability.  
2 Consult adder section of the price guide for additional standard lengths.

PHOTOMETRICS



IP-WP-3T8  
 (3) F32T8/TL841  
 2950 Lumens  
 Efficiency 85.1%

Test Report  
 #LSI15716

Coefficients of Utilization

rc	Effective floor cavity reflectance																		
	80%						70%						20%						
rw	70	50	30	10	70	50	30	10	50	30	10	50	30	10	50	30	10	0	
RCR	0	82	82	82	82	71	71	71	71	50	50	50	31	31	31	14	14	14	06
	1	75	71	68	66	65	62	59	56	44	42	41	27	27	26	12	12	12	05
	2	68	62	57	53	59	54	50	46	38	36	34	24	23	21	11	10	10	04
	3	62	55	49	44	54	47	43	39	34	31	28	21	20	18	09	09	08	03
	4	57	48	42	37	49	42	37	33	30	27	24	19	17	15	08	08	07	03
	5	52	42	36	32	45	37	32	28	26	23	20	17	15	13	07	07	06	02
	6	47	38	32	27	41	33	28	24	24	20	18	15	13	11	07	06	05	02
	7	44	34	28	23	38	30	24	21	21	18	15	13	11	10	06	05	05	02
	8	40	31	24	20	35	27	21	18	19	16	13	12	10	08	05	05	04	02
	9	37	28	22	18	32	24	19	15	17	14	11	11	09	07	05	04	03	01
	10	35	25	19	15	30	22	17	14	16	12	10	10	08	07	05	04	03	01

Candela

Angle	Along	II	45°	Across	L
0	176		176		176
5	176		175		174
15	168		168		168
25	152		154		156
35	129		133		138
45	100		107		116
55	68		84		100
65	35		64		83
75	15		46		64
85	1		23		40
90	0		42		66
95	70		216		235
105	378		759		812
115	722		1131		1306
125	1055		1337		1582
135	1351		1528		1699
145	1602		1697		1805
155	1798		1848		1888
165	1930		1946		1965
175	1995		1987		1984
180	1993		1993		1993

Zonal Lumen Summary

Zone	Lumens	%Lamp	%Fixture
0-30	134	1.52	1.78
0-40	217	2.45	2.88
0-60	375	4.24	4.98
0-90	508	5.74	6.75
40-90	291	3.29	3.87
60-90	133	1.51	1.77
90-180	7024	79.38	93.25
0-180	7533	85.12	100.00

Luminance Data

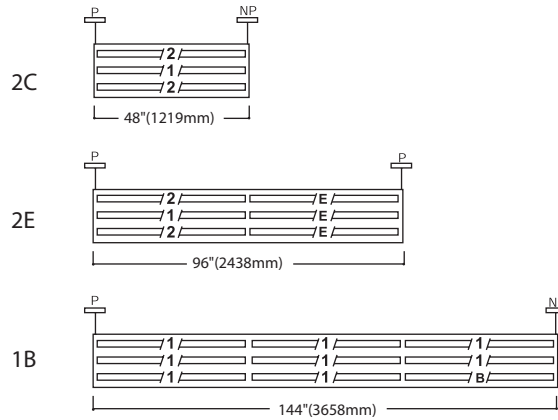
Angle in Deg	0-Deg cd/sm	45-Deg cd/sm	90-Deg cd/sm
45	1207	1298	1405
55	1011	1259	1503
65	704	1308	1616
75	483	1330	1536
85	50	936	1218

COMMON CIRCUIT CONFIGURATIONS FOR THREE LAMP SUSPENDED FIXTURES

- 2C = Two circuit luminaire
- 2E = Two circuit luminaire with emergency circuit
- 1B = Single circuit luminaire with battery pack

- /1/ = Circuit 1
- /2/ = Circuit 2
- /E/ = Emergency Circuit
- /B/ = Battery Circuit

- = Power Mount
- = Non-Power Mount



STANDARD ROW CONFIGURATIONS

FIXTURE LENGTH	4'	8'	12'	16'	20'	24'	28'	32'	36'	40'	44'	48'	52'	56'	60'	64'	68'	72'	76'	80'	84'	88'	92'	96'	100'	104'	108'		
4'	1																												
8'		1		2	1		2	1		2	1		2	1		2	1		2	1		2	1		2	1		2	1
12'			1		1	2	1	2	3	2	3	4	3	4	5	4	5	6	5	6	7	6	7	8	7	8	9		