

DESCRIPTION

Experience refined architectural performance at a great value. The completely re-designed Corelite R2X LED comes with everything you would want for a long-term sustainable lighting system. An expansion on the Class R2 Series, the Class R2X LED continues to provide low-glare ambient illumination yet dramatically reduces energy consumption and maintenance costs. The ultra-shallow profile provides peace of mind for plenum coordination while maintaining an architecturally pleasing environment with the low glare high performance opal lens. Available in 2x2, 2x4 and 1x4 fixture sizes, the R2X LED is well suited for any architectural space including open offices, schools, and corridors.

SPECIFICATION FEATURES

Construction

Low profile 2-7/8" housing constructed of die-formed 20 gauge cold rolled steel with integral 20 gauge gear tray. Removable pan assembly from below the plenum allows for a future proof solution. High reflectance white powder coat painted reflector system. Fixture weight: 13.0 lbs.

Shielding

Smooth Opal acrylic lens. Lens is designed to provide low glare ambient illumination while creating evenly luminous side reflectors. Lens secured to housing via injection molded inserts for easy access.

Finish

Fixture housing and back reflector are high reflectance white using electrostatically applied polyester powder coat paint for durability and luminous uniformity.

Electrical

Long-life LED system coupled with electrical driver to deliver optimal performance. Projected life is 60,000 hours at 87% lumen output. LEDs are available in 3000K, 3500K or 4000K with a typical CRI \leq 85. Standard drivers are 0-10 volt continuous dimming that work with any 0-10V control/dimmer. Or, specify Digital Addressable Lighting Interface (DALI)

drivers; for use with Fifth Light controls. See ordering information for details.

Mounting

Universal flange design works with most lay-in ceiling types. Integral pry-out tabs secure luminaire to ceiling grid from above. Fixture offers tie-in locations for tie-wire on all corners. Consult local code for appropriate tie-wire recommendations. See Technical Notes section for drywall frame kit and surface mount kit options.

Compliance

Components are UL recognized and luminaires are cULus listed for 25°C ambient environments, damp location listed, and RoHS compliant. DesignLights Consortium® Qualified and classified for DLC Standard, refer to www.designlights.org for details.

Warranty

Five-year warranty.

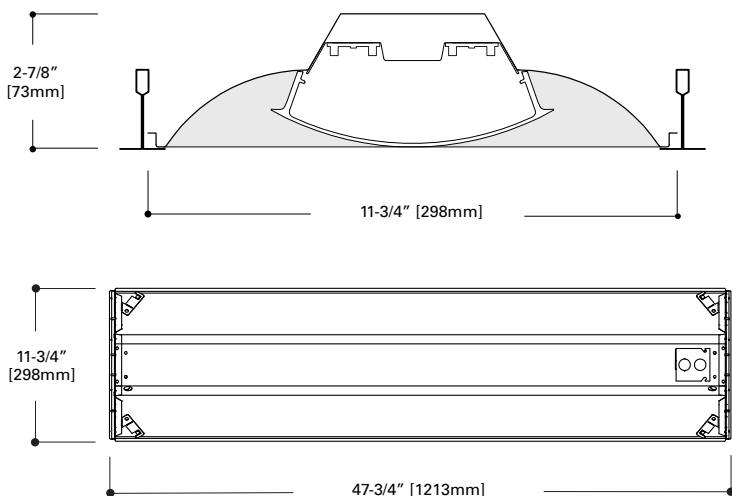


CLASS R2X Opal Lens

LED

1' x 4' Recessed
2-7/8" Depth

CERTIFICATION DATA
cULus - 1598
Damp Location Listed
IC Rated
LM79/LM80 Compliant
ROHS Compliant



ORDERING INFORMATION

Sample Number: R2X-WO-3L35-LD5-UNV-14-T1-STD-EL14W-AR

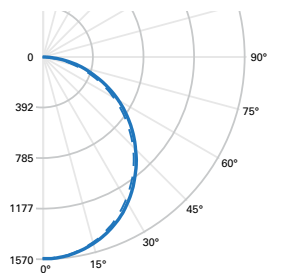
Series ⁽¹⁾ (²)	Optics/Shielding	Light Level (1x4, 3500K delivered lumens)	Color Temperature	LED Revision	Input Voltage
R2 = Class R2X LED Recessed Series	WO = Opal Lens	1 = Light Level 1 (2195 Lms, 17W) 2 = Light Level 2 (3313 Lms, 25W) 3 = Light Level 3 (4412 Lms, 36W) 4 = Light Level 4 (5482 Lms, 46W) 5 = Light Level 5 (6535 Lms, 58W)	L30 = LED 3000K L35 = LED 3500K L40 = LED 4000K	LD5 = LED 5.0	UNV = Universal (120V-277V) 347 = 347V ⁽²⁾
Size	Ceiling Type	Driver Type	Emergency (Optional)	Options	
14 = 1' x 4'	T1 = 1" T-Bar, Slot Grid, and 9/16" Tegular ⁽³⁾ T9 = 9/16" T-Bar (Flush)	STD = Standard 0-10V (10%-100%) HCD = 0-10V (1%-100%) STP = Step Dimming (Bi-Level, 50%) ⁽⁵⁾ SLT = Fifth Light DALI (10%-100%) ⁽⁴⁾ LH = Lutron HiLume 1% EcoSystems ⁽⁶⁾ L5 = Lutron 5-Series 5% EcoSystems ⁽⁶⁾	EL14W = 14-watt 120V-277V Integral EM Battery Pack ⁽⁷⁾ GTR2 = Bodine Generator Transfer Relay ⁽⁸⁾	AR = Air Return AM = Anti-Microbial Coating CP = Chicago Plenum LG = Lens Gasketing W6 = 6' Whip Flex W12 = 12' Whip Flex	

See page 2 for technical notes

TECHNICAL NOTES

1. Dimming wires come standard in all LED fixtures but can be capped in the field for switched operation.
2. Integral 347V electronic driver with STD 0-10V option only. Factory supplied remote transformer for all other driver/dimming options.
3. "T1" ceiling type is compatible with Metalux DF Series Drywall Frame Kits and Metalux Universal Surface Mount Kits, ordered separately from Metalux. For 1x4 drywall frame kit, order part **#DF-14-W**. For 1x4 surface mount kit, order part **#SK-14-WT**. Refer to the surface mount kit specification sheet for more information.
4. Must be used in conjunction with a DALI control system. For a complete listing of Fifth Light Technology products and other solutions from Cooper Lighting Solutions, visit www.cooperlighting.com
5. 1x4: STP driver not available in Light Levels 1 and 2.
6. 1x4: LH/L5 driver not available in Light Level 1.
7. Integral emergency battery pack is 14W maximum, 90 minute output. A test switch/indicator button can be tested safely from the ground using a laser pointer, while the patented EZ Key prevents accidental discharge of the battery during construction. For approximate delivered lumens multiply the lumens per watt of the desired fixture by the wattage of the emergency battery pack (100 lm/W x 14=1400 lumens).
8. GTR2 options include 2 relays on fixtures with dimming drivers. Must specify voltage as 120V or 277V when ordering these devices.
9. DesignLights Consortium® Qualified and classified for DLC Standard, refer to www.designlights.org for details.

PHOTOMETRICS



FILE NAME: R2X-WO-3L35-LD5-UNV-14.IES

LAMP: (LD5) LED 3500K

LUMENS: 4412 Lm

WATTS: 35.6 W

EFFICACY: 124 Lm/W

TEST NO.: P217880

SC: (II) 1.22, (I) 1.25

ZONAL LUMENS SUMMARY

Zone	Lumens	% Fixture
0°-30°	1209	27.4
0°-40°	1969	44.6
0°-60°	3456	78.3
0°-90°	4412	100

LUMINANCE DATA (CD/M²)

Vertical Angle	0°	45°	90°
45°	3786	3855	3893
55°	3583	3715	3762
65°	3315	3545	3584
75°	2800	3197	3385
85°	1615	2668	2606

LUMEN MAINTENANCE

Ambient Temperature	TM-21 Lumen Maintenance (60,000 hours)	Theoretical L70 (Hours)
25°C	>87%	148,000

ENERGY AND PERFORMANCE DATA

1x4 – R2X Light Level Outputs and Distributions (3500K)				
Series	Light Level	Delivered Lumens	Wattage	Efficacy (LPW)
R2X-WO	1	2195	16.6	132
	2	3313	25.4	130
	3	4412	35.6	124
	4	5482	46.4	118
	5	6535	58.4	112