

Corelite luminaires are precision tooled for simple trouble free contractor installation. The Pendant/Cross-Bar Interface mounts directly to a standard 4" octagon junction box.

JUNCTION BOX STRUCTURE INTERFACE (Connection at Ceiling)

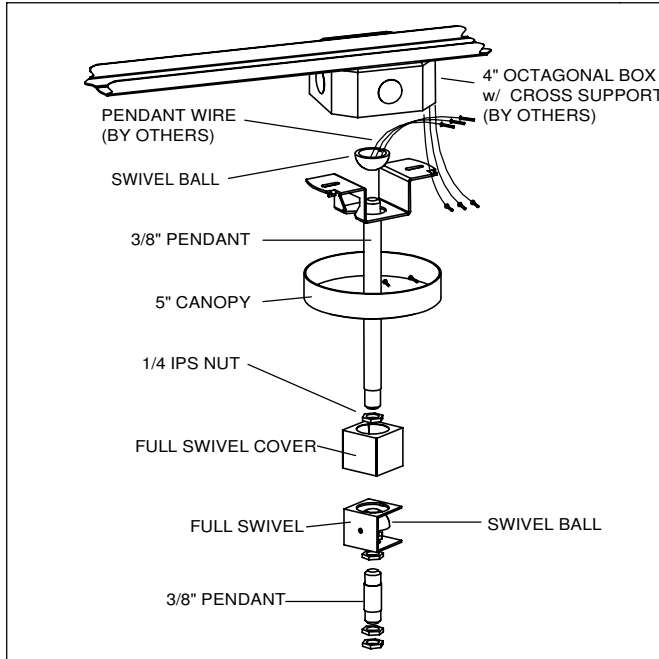
Double Swivel Pendant Pipe Mounting

DD_JB

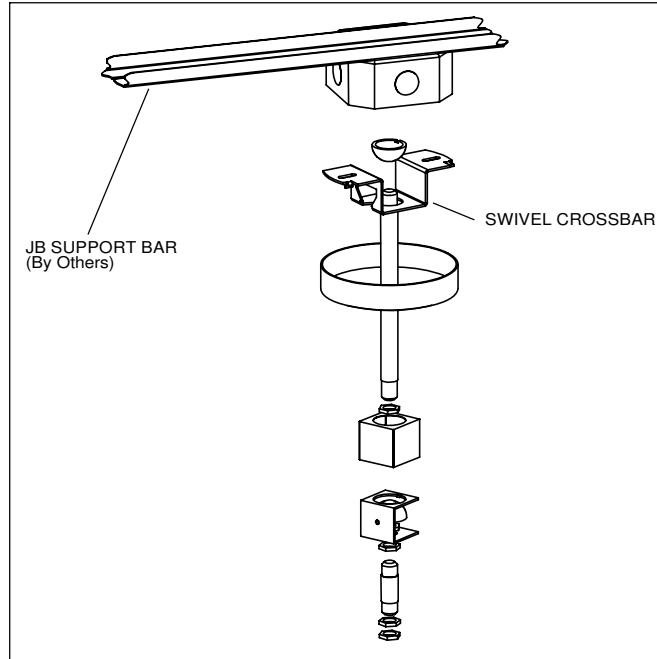
MOUNT DETAILS

*FOR ALL CORELITE SUSPENDED LUMINAIRES

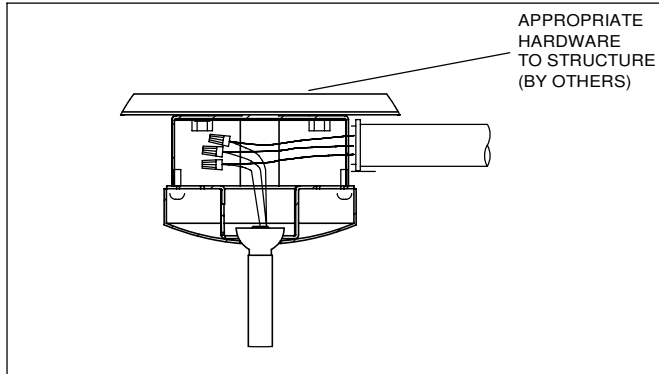
POWER



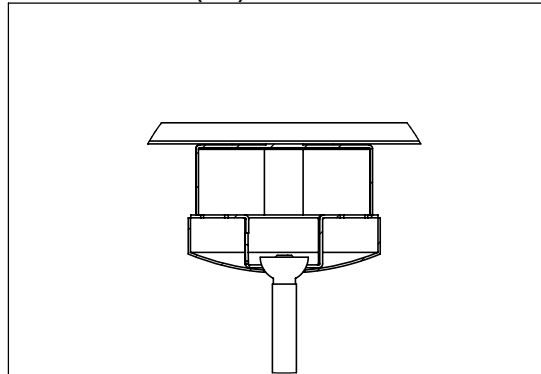
NON-POWER



POWER (2-D)



NON-POWER (2-D)



CONNECTION AT CEILING

1. Layout mounting locations.
2. Ensure that power feed is at the UL end of the fixture.
Power feed: to be installed to local/national electrical codes by a Certified Electrician.
3. Secure junction boxes to structure.
4. Secure cross bar to junction box.

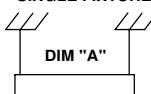
5. Attach pendant to swivel ball and secure using 1/4" IPS lock nut.
6. Feed wires through pendant to allow access in junction box and connect wires ensuring all connections are properly matched.
7. Slide canopy up pendant and attach to swivel crossbar.

NOMINAL ID FOR 1/4" IPS = 9.5mm, 0.375 in.
POWER WIRES CAN RUN THROUGH ANY PENDANT (REFER TO LOCAL/NATIONAL ELECTRICAL CODES).
CONTACT CORELITE FOR CONNECTING POWER AT A JOINT FOR NAVIGATOR II.

MOUNTS LOCATIONS*

FIXTURE FAMILY	DISTANCES ARE EQUAL TO FIXTURE LENGTH PLUS OR MINUS DIMENSIONS BELOW			
	DIM "A"	DIM "B"	DIM "C"	DIM "D"
CLASS A	- 1 1/8"	- 1 1/8"	0"	0"
FEROS	- 1 1/8"	- 1 1/8"	0"	0"
RADIUS	- 1 1/8"	- 1 1/8"	0"	0"
IRIDUM	- 1 1/8"	- 1 1/8"	0"	0"
STELLAR	- 2 3/8"	- 2 3/8"	0"	0"
RAVE	0"	0"	0"	0"
MINIGATOR	- 1 1/8"	- 1 1/8"	0"	0"
NAVIGATOR II	+ 5/8"	- 5/16"	0"	+ 15/16"

SINGLE FIXTURE



SAMPLE ROW

