

DESCRIPTION

The RRU-X-UNV can simultaneously bypass both a line voltage switch and a 0-10V dimming signal, ensuring that an emergency fixture illuminates at full brightness during a utility power interruption. Its small size makes it ideal for junction box or fixture mounting in wireless or other modern lighting control systems. An integral test switch and LED allow for quick testing and verification of proper function. The RRU-X-UNV includes a 20A rated high voltage Form C (N/O+N/C) relay and a low voltage Form A (N/O) relay and is UL924 Listed for emergency lighting control applications.

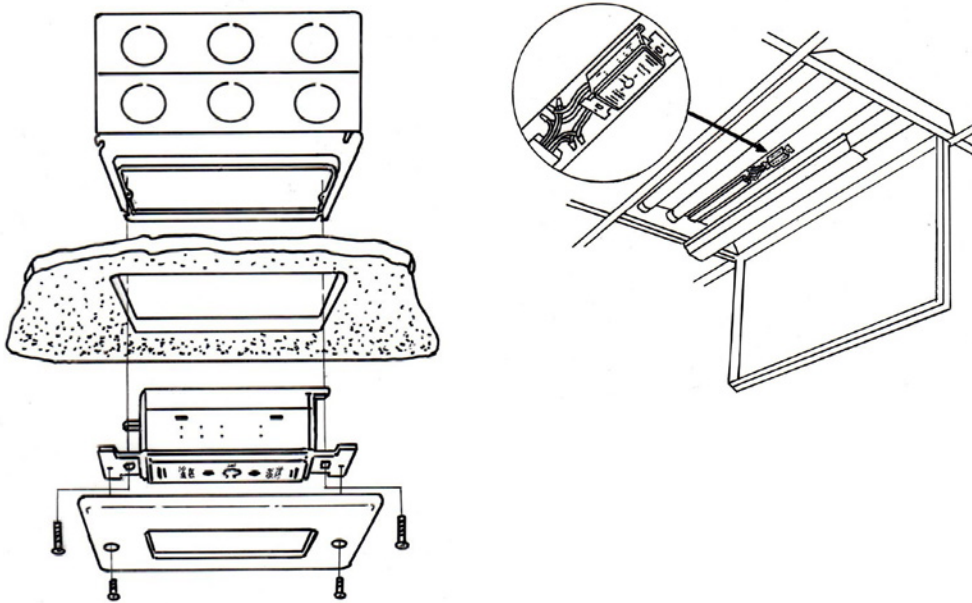
| | | |
|--------------------|--|-------------|
| Catalog # | | Type |
| Project | | |
| Comments | | Date |
| Prepared by | | |

FEATURES

The powerful RRU-X-UNV includes:

- 20A Rated N/O & N/C
- Used for bypassing line voltage switching, occupancy sensors or dimmers. Also used as dry contact to signal relay panels or BMS systems or utility power interruption
- 1A Rated N/O contact
- Used for bypassing low voltage dimming or switching signals from room controllers or dimmers
- Integral test switch and green utility power indicator
- Flush or fixture mounted
- UL924 Listed

MOUNTING



**EMERGENCY
POWER
CONTROL FOR
0-10V AND
LINE VOLTAGE
APPLICATIONS**

ORDERING INFORMATION

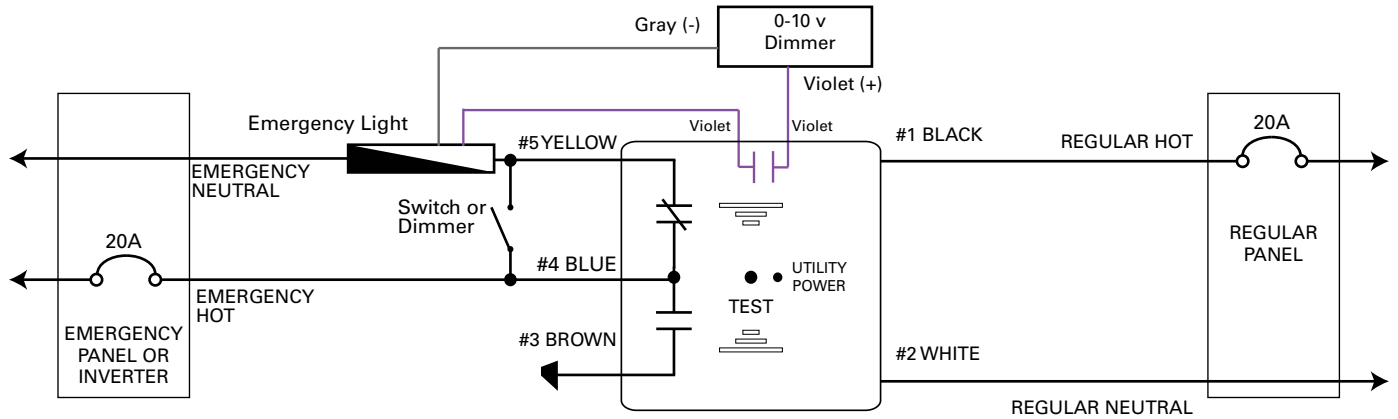
| Catalog Number | Product Description |
|----------------|---|
| RRU-X-UNV | Emergency Power Control for 0-10V and Line Voltage Applications |

COMPLIANCE

cUL Listed
UL924 listed
LED compatible



WIRING DIAGRAM



Note: Emergency Light is also called N/E Light or Normal/Emergency Light by many specifiers

SPECIFICATIONS

| Electrical | |
|---------------------|-----------------------------|
| Sensing input | 120V - 277V |
| Load rating | 120V - 277V (20A) |
| Ballast load rating | 20A (120-277V) (Contact #1) |
| Incandescent load | 1200W (120V) / 1500W (277V) |
| Load | Contact #1 20A (120-277V) |
| | Contact #2 1A (30V DC) |
| Warranty | 5 Year replacement warranty |

| Mechanical | |
|-----------------|---|
| Mounting | Universal (Flush, Junction Box, Panel, and Fixture Mount) |
| Rating | UL94V-0A, Plenum Rated, Damp Location Rated |
| Shipping weight | 12 oz. / White |
| Color | White |
| Temperature | -40°F to 149°F (-40°C to 65°C) |
| Size | 1.7W" x 3H" x 1.2D" (body) |
| | 2.75W" x 4.5H" x 1.2D" (with wallplate) |