

Catalog #		Type
Project		
Comments		Date
Prepared by		

SPECIFICATION FEATURES

General Features

- Dual 120/277 VAC 60Hz input
- Solid-state voltage charger and switching in self-powered version
- Brownout circuit
- Test switch/power indicator light in self-powered version
- Long-life, energy-efficient LED lamps
- 18-gauge steel recessed housing with conduit knockouts
- Recessed housing for ceiling or wall mounting
- Adjustable hanger bars
- Connectors facilitate quick installation and maintenance
- Injection molded, high-impact acrylic panel
- Long life nickel cadmium battery
- 5 year product warranty

Compliances may not apply to all product configurations. Please consult the product spec sheet for compliance details.

COMPLIANCES: UL924 Listed; NFPA 101 Compliant, NYC Code Compliant

ORDERING INFORMATION

SAMPLE NUMBER: TAC26GWPALR

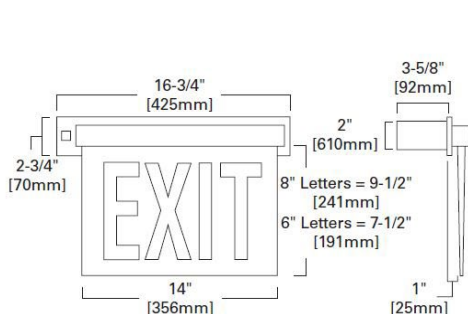
Operation	Mounting	Number of Faces	Letter Size	Letter/Panel Color	Trim Finish	Arrow Direction
TA = AC-only TS = Self-powered	C = Ceiling W = Wall	1 = Single 2 = Double	6 = 6 8 = 8 (Red Only) ¹	GC = Green on Clear (Single Face Only) GW = Green on White RC = Red on Clear (Single Face Only) RM = Red on Mirror Mylar RW = Red on White	BK = Polished Black BZ = Bronze PA = Polished Aluminum SA = Satin Aluminum WH = White	[Blank] = No Arrow AL = Arrow Left AR = Arrow Right DH = Double Headed Arrows LR = Double Face Arrows

Note: Housing ordered separately

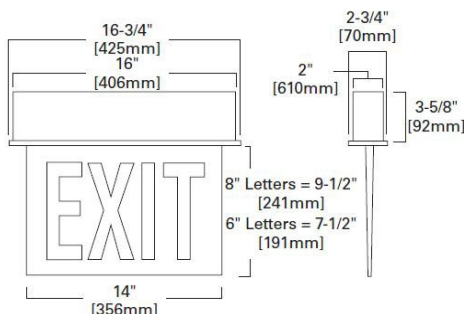
Housing

- HA** = AC only
- HS1** = Self-powered; 1 sided
- HS2** = Self-powered; 2 sided

RECESSED, WALL MOUNT



RECESSED, CEILING MOUNT



MARATHON RECESSED EDGE-LIT EXIT SIGN

ENERGY DATA

Maximum power consumption under all charge conditions:

LED Exits, Red Letters, AC Only	LED Exits, Red Letters, Self-Powered
Input Power: 120V = 3.8W 277V = 3.9W	Input Power: 120V = 4.6W 277V = 4.8W
Input Current (Max.): 120V = .03 277V = .02	Input Current (Max.): 120V = .04 277V = .02
Power Factor: 120V = .93 277V = .93	Power Factor: 120V = .90 277V = .89