

## DESCRIPTION

The NYC compliant AtLite AUX series exits are designed for architectural excellence and minimal presence. The ordering and installation processes are greatly simplified as all housing and lens options are included. In addition, Eagle Eye™ self-diagnostics are standard on all self-powered units. Long life LED electronics coupled with nickel cadmium battery technology greatly reduces maintenance.

Catalog #		Type
Project		
Comments		Date
Prepared by		

## SPECIFICATION FEATURES

### Electrical

- Dual Voltage Input, 120/277 VAC, 60 Hz
- EZ key external battery disconnect
- 10°C to 40°C (50°F to 104°F) operating range
- Eagle Eye Self-Diagnostic System
- Long life LED light source
- Fully recharged in 24 hours
- Solid-state Voltage Limited Charger
- Solid-state Switching
- Brownout Circuit
- Low-Voltage Disconnect
- Overload/Short Circuit Protection
- Test Switch/Power Indicator Light
- Photocell Test Switch (requires accessory laser for activation)
- Fire alarm interface available as an accessory
- 2 circuit option available for AC only versions

### Battery

- Sealed nickel cadmium
- Maintenance free
- 24 hour full recharge time

### Housing

- All aluminum housing
- All mounting options are standard: surface, recessed, end, ceiling and wall
- Halo hangar bars included for recessed applications
- Convenient 1/2" knockouts on top and end of fixture

### Trim/Lens

- High impact acrylic panel
- Single and double sided lenses included
- 8" (NYC compliant) and 6" height letters available
- Clear, mirror insert and white insert included
- Field installed and NFPA 101 compliant chevron directional indicators included
- Tooless "snap in" installation

### Code Compliance

- UL 924 Damp Location Listed
- NYC compliant
- Life Safety NFPA 101
- NEC/OSHA

### Warranty

- Fixture: 5 year
- Battery: 15 year pro-rata



## AUX Series

**UNIVERSAL EXITS**  
**SELF POWERED**  
**EMERGENCY**  
**LED LAMPS**  
**NYC COMPLIANT**

## ORDERING INFORMATION

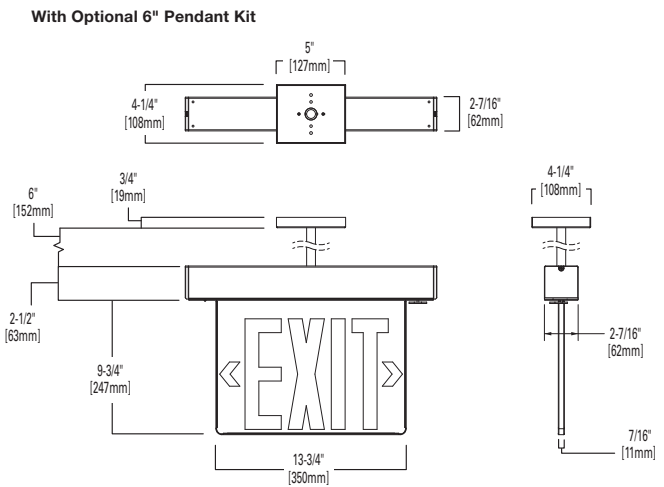
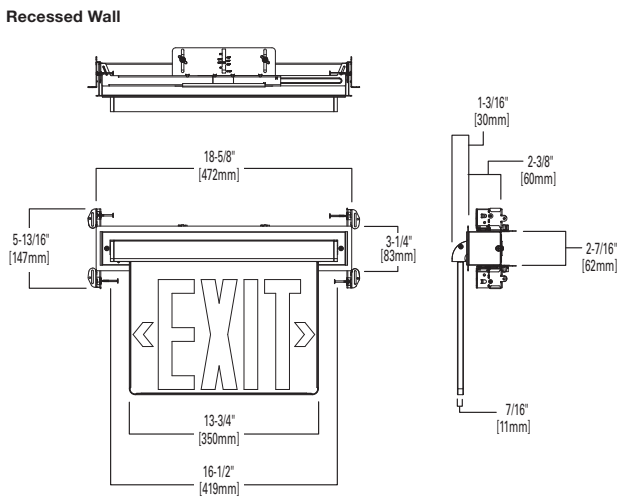
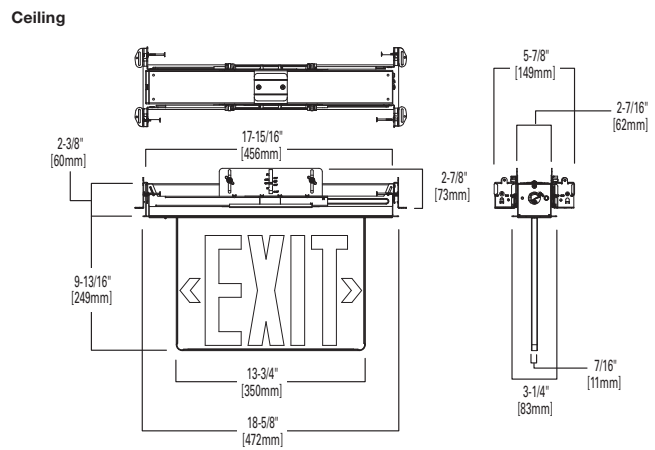
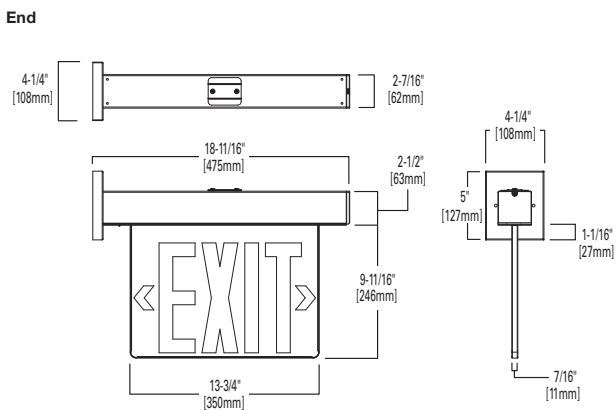
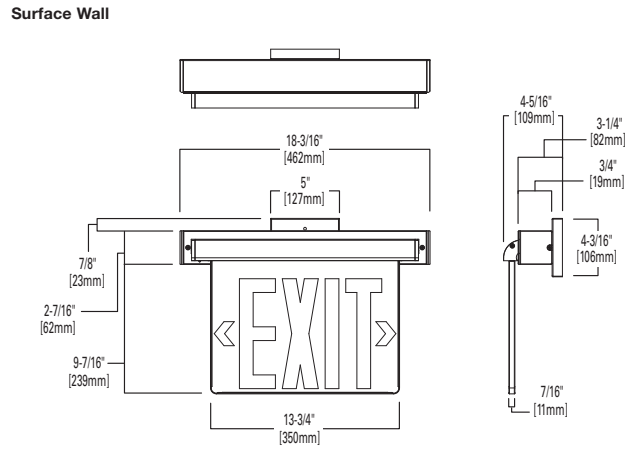
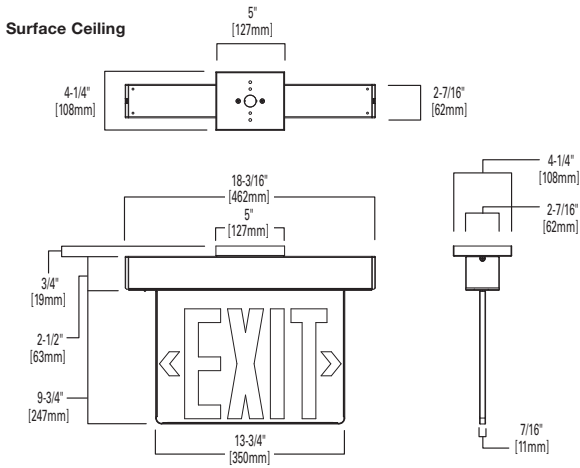
SAMPLE NUMBER: AUXSWHSD

Series	Finish	Options	Lens	Accessories
AUXA=AC Only LED AUXS=Self-Powered LED	_=Brushed Aluminum WH=White BK=Black	_=None (AC Only) SD=Self-Diagnostics (Self-Powered) 2C=Two Circuit (AC Only)	_=8" (NYC) Letters 6=6" Letters	AUXFAI=Fire Alarm Interface Module

### LED Exits - Red

Input Power:  
120V = 0.9W  
277V = 1.1W  
Input Current (Max.):  
120V = 0.08A  
277V = 0.08A  
Power Factor:  
120V = 0.11  
277V = 0.08

DIMENSIONS



## TECHNICAL DATA

### Lamps

Optimized for energy efficiency and aesthetic appearance, the AUX series Exit uses super-bright, long life LED lamps to illuminate the exit lens.

### Housing

Die cast and extruded aluminum housing that mounts in any application. Available in white, black or brushed aluminum finishes. Housing has conduit knockouts on top and side for easy AC wiring connections. Fully adjustable Halo Got Nail hangar bars make recessed installation easy. AUX is fully compatible with grid or hard ceilings as well as 2 x 4 wall constructions.

### Trim/Lens

The AUX lens kit is truly universal and includes the materials needed to field construct all options. The high-impact, clear acrylic lens panel comes with three pieces to allow configuration of single or double sided options on the job site. In addition to the clear option, both mirror and white inserts are standard, along with NFPA 101 compliant chevrons. The lens installation requires no tools and snaps easily into place.

### EZ Key Power Disconnect (self-powered only)

The Patented EZ key is an external battery disconnect that allows the product to be shipped with the battery connected internally. This prevents battery drain during the construction cycle to insure that the battery isn't damaged and is fully charged for inspection. EZ Key also saves the labor of internally connecting the battery after construction is complete.

### Solid-State Charger (self-powered only)

Supplied with a 120/277 VAC, voltage regulated solid-state charger. Immediately upon restoration of AC current after a power failure, the charger provides a high charge rate. Solid-state circuitry recharges the battery following a power failure in accordance with UL 924.

### Brownout Circuit (self-powered only)

The brownout circuit on Sure-Lites' exits monitors the flow of AC current to the exit and activates the emergency lighting system when a predetermined reduction of AC power occurs. This dip in voltage will cause most ballasted fixtures to extinguish causing loss of normal lighting even though a total power failure has not occurred.

### Solid-State Transfer (self-powered only)

The AUX Series exit incorporates solid-state switching which eliminates corroded and pitted contacts or mechanical failures associated with relays. The switching circuit is designed to detect a loss of AC voltage and automatically energizes the LED lamps. Upon restoration of AC power, the emergency circuit will switch off and the charger will automatically fully recharge the battery within 24 hours.

### Test Switch/Power Indicator Light (self-powered only)

Conveniently located combination Test Switch/Power Indicator Light allows for manual verification of proper operation of the transfer circuit and emergency lamps.

### Photocell Test Switch

Allows verification of proper operation of the transfer circuit and emergency lamps with a laser pointer (laser is sold as an accessory). The emergency lamps will test for 30 seconds when activated.

### Eagle Eye™ Self Diagnostics

The Eagle Eye self-diagnostic software will automatically perform all tests required by UL924, and NFPA101. The system indicates the status of the emergency light at all times using the LED indicator. A 90 minute battery power (emergency mode) simulation test will occur once every 12 months. A 30 second battery power simulation test will occur every 30 days.

The Solid-State microprocessor based system has the ability to accurately detect and warn of system failures, plus it incorporates all of the standard electronic features that sets Sure-Lites apart from its competition. Eagle Eye self diagnostic software automatically performs all testing required by the NFPA 101 Life Safety Code and systematically calibrates itself in the field, reducing installation labor and eliminating manual calibration errors.

### Sealed Nickel Cadmium Battery (self-powered only)

Sure-Lites sealed nickel cadmium batteries are maintenance-free with a life expectancy of 15 years. The sealed rechargeable nickel cadmium battery offers high discharge rates and stable performance over a wide range of temperatures.

### Warranty

All Sure-Lites' products are backed by a firm five-year warranty against defects in material and workmanship. Maintenance-free, long-life, sealed nickel cadmium batteries carry a fifteen year pro-rata warranty.