

DESCRIPTION

The Rival LED Specification Series meets the standards of architectural requirements while providing many options and accessories to customize any installation.

| | | |
|--------------------|--|-------------|
| Catalog # | | Type |
| Project | | |
| Comments | | Date |
| Prepared by | | |

SPECIFICATION FEATURES

Electronic

- Dual 120/277VAC 60Hz input
- Solid state charger and transfer circuitry (no relays or fuses)
- Momentary test switch; circuit is battery short circuit protected
- Brown out protection, low voltage disconnect
- LED Heads with lumen output equal to 9W incandescent

Battery

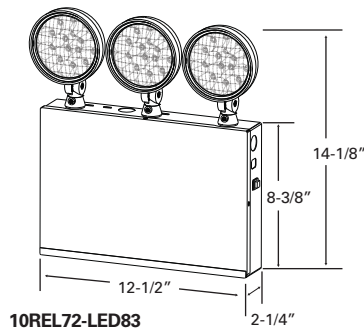
- Long life, sealed, maintenance-free, nickel cadmium battery

Housing Construction

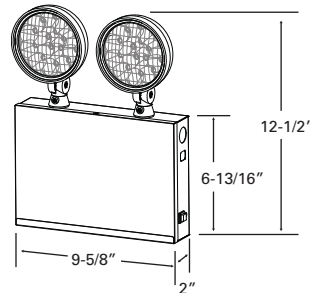
- Standard finish, durable white powder coat.
- Steel units fabricated of 20 gauge steel
- Conduit knockouts and rear keyhole mounting knockouts provided

Code Compliance

- Meets or exceeds all current UL 924 requirements, and applicable sections of the Life Safety Code



10REL72-LED83



10-REL36-LED42



ORDERING INFORMATION

| Catalog No. | Heads | Watts per Head | Max. Remote Heads |
|---------------|-------|--------------------|-------------------|
| 10REL36-LED42 | 2 | Lumens equal to 9W | 2 |
| 10REL72-LED83 | 2 | Lumens equal to 9W | 6 |
| 10REL72-LED83 | 3 | Lumens equal to 9W | 5 |

OPTIONS AND ACCESSORIES

ACCESSORIES

| Description | Code |
|-----------------------------------|------|
| Cord Sets | |
| 120 Volt | 3 CP |
| 277 Volt (Specify male plug type) | 0 CP |
| Mounting Bracket | MB |
| Mounting Shelf | MS |
| Wire Guards | GXBW |

OPTIONAL: LED REMOTE HEADS

| | |
|----------|------------------------|
| RFLED401 | Single LED Remote Head |
| RFLED402 | Double LED Remote Head |

RIVAL LED SPECIFICATION

STEEL SPECIFICATION GRADE EMERGENCY UNIT LED LAMPS

EMERGENCY LIGHTING