

AUX Series
Universal Edge-Lit - NYC Compliant

AtLite



Cooper Lighting
by **EAT•N**



Universal Mount Edge-Lit Exit Sign

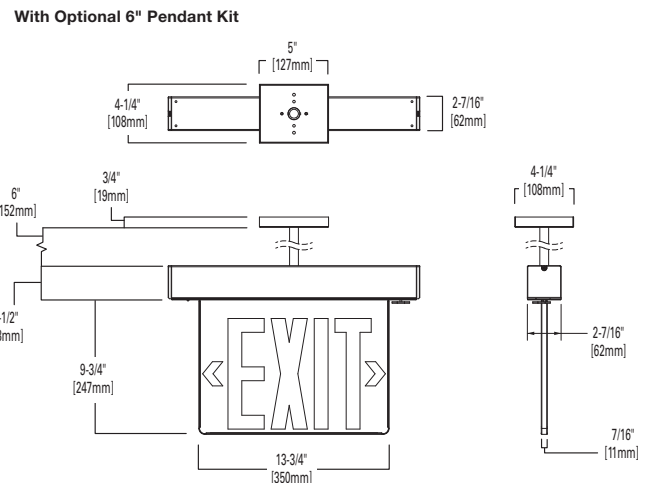
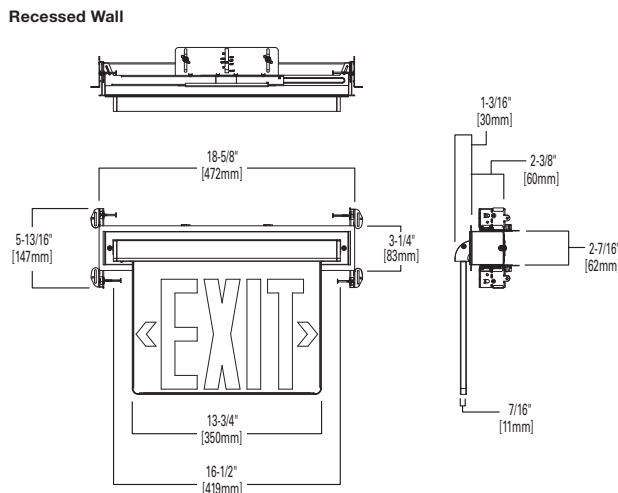
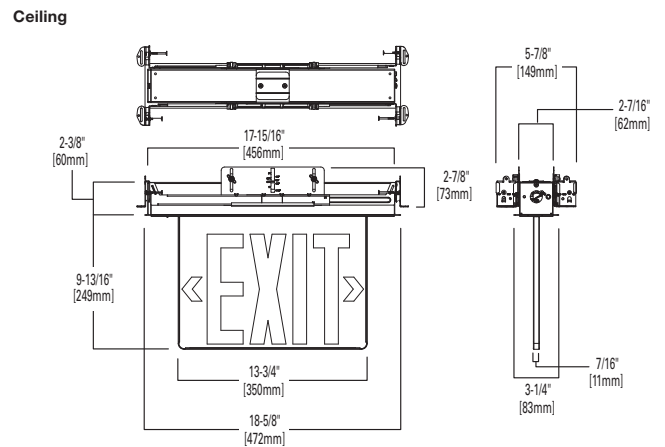
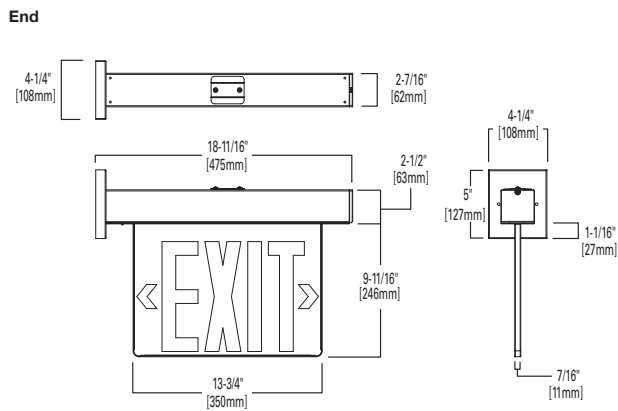
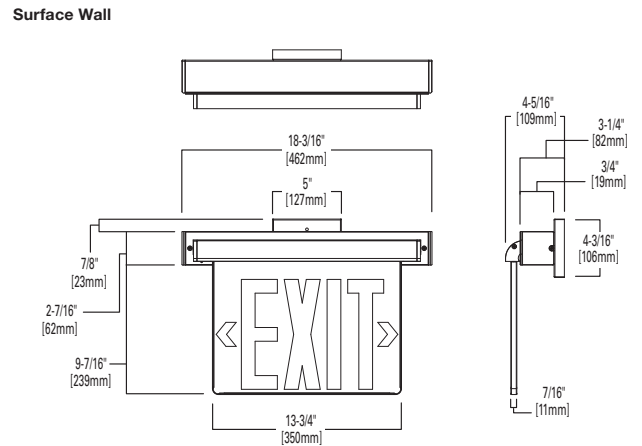
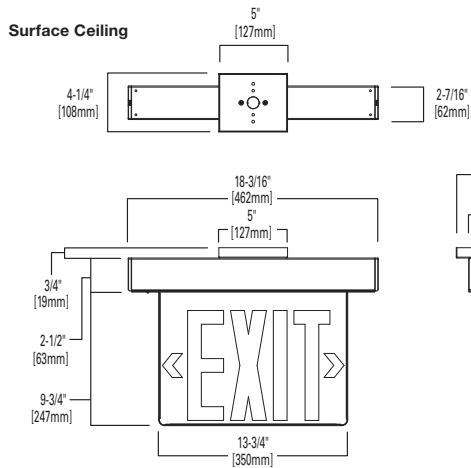
- All mounting options included with the base unit
 - Surface ceiling
 - Surface wall
 - End
 - Recessed wall
 - Recessed Ceiling
- All panel options included as standard
 - Single or double-sided
 - Clear, mirror or white background
 - Chevron arrows
- Halo® Got Nail® hangar bars for recessed or T-grid installations
- EagleEye™ self-diagnostics are standard
- Aluminum housing available with a variety of finishes
 - Brushed aluminum
 - White
 - Black
- Maintenance-free nickel cadmium battery with fifteen-year pro-rated warranty
- NYC compliant, UL 924 listed
- Dual voltage input 120/277 VAC, 60 Hz
- Five-year warranty

Ordering Information

SAMPLE NUMBER: AUXSWHSD

Series	Finish	SD
AUXA=AC only LED AUXS=Self Powered LED AUXFAI=Fire Alarm Interface Module	_=Brushed Aluminum WH=White BK=Black	_=None (AC Only) SD=Self Diagnostics (Self Powered)

Dimensions



Eaton's Cooper Lighting Business

Headquarters
1121 Highway 74 South
Peachtree City, GA 30269
P: 770-486-4800
www.cooperlighting.com

Canada Sales

5925 McLaughlin Road
Mississauga, Ontario L5R 1B8
P: 905-501-3000
F: 905-501-3172

Our Lighting Product Brands

Halo
Halo Commercial
Portfolio
IRiS
RSA
Metalux
Corelite
Neo-Ray
Fail-Safe
MWS
Ametrix
Shaper
io
Lumark
McGraw-Edison
Invue
Lumière
Streetworks
AtLite
Sure-Lites

Our Controls Product Brands

Greengate
iLumin
Zero 88
Fifth Light Technology
iLight (International Only)