

DESCRIPTION

A low brightness 4-1/2 inch aperture low voltage adjustable accent fixture for a wide variety of lamp types. Optics allow the lamp axis to pivot about the center of the aperture at the ceiling line, allowing maximum light output with no flashback. 20° truncated cone allows full range and flexibility of aiming.

Catalog #		Type
Project		
Comments		Date
Prepared by		

SPECIFICATION FEATURES

Reflector

Spun 0.040" aluminum. Available in a variety of Alzak® finishes. Painted white finish as well as white or black baffles. Torsion springs pull trim tight to ceiling. Trim is keyed to prevent improper orientation in housing.

Trim Ring

Self flanged or white painted die cast trim ring.

Aiming Mechanism

Stable lamp aiming and locking mechanism allows smooth 358° rotation and 35° elevation adjustment. Lamp aiming scale enables consistent setting across multiple fixtures.

Socket Adapters

Keyed quick connect plug allows interchangeable lamp types. Easy installation via single spring clip.

Housing

One piece die cast 1" deep collar. Housing is painted optical matte black to eliminate stray light.

Universal Mounting Bracket

Accepts 1/2" EMT, C Channel, T bar fasteners and hanger bars. Provides 5" total adjustment.

Junction Box

Listed for eight #12g (four in, four out) 90°C conductors feed through branch wiring. Six 1/2" pry outs and 4 integral Romex traps. Access to junction box through panel in side of housing.

Transformer

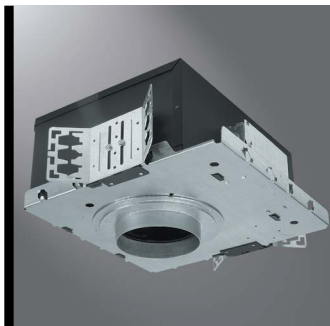
13W dual tap 120/277V toroidal transformer mounted to ensure quiet operation.

Insulation Detector

Self-resetting insulation detector opens circuit if insulation is improperly installed.

Labels

cULus listed, damp location.

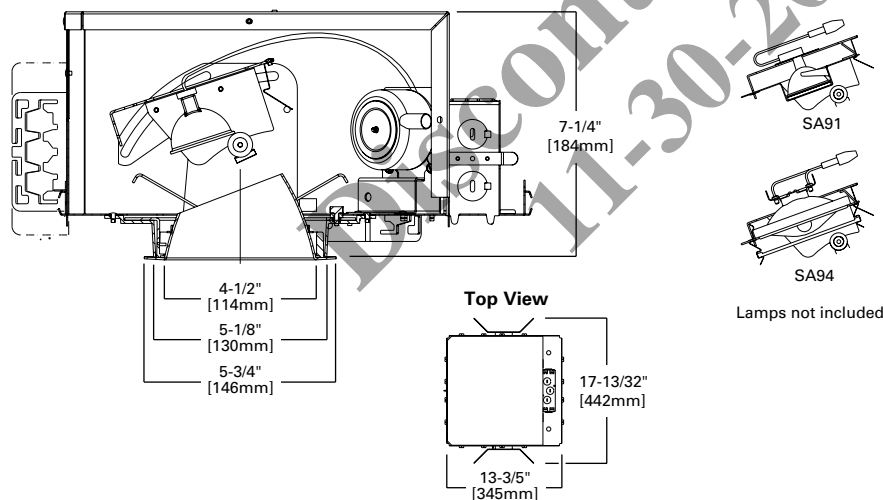


H7493T
9471/9473

10 - 13W MAX

4-1/2-Inch Adjustable

DIMENSIONS



ORDERING INFORMATION

Housing	Options	Max Wattage Label	Trims	Finish	Option	Socket Adapter	Accessories
H7493T=4" Low Voltage Directional with 120/277V input Transformer	CP=Chicago Plenum	WL8=8W WL10=10W WL13=13W	9471=Self Flanged 9473=Molded Trim Ring, White	B=Specular Black GPH=Graphite Haze H=Semi-Specular Clear LI=Specular Clear MW=Matte White WH=Wheat WMH=Warm Haze BB=Black Baffle (9473 only) WB=White Baffle (9473 only)	WF=White Painted Flanged (Self Flanged only)	SA91=MR16 SA94=AR111	HB26=C Channel Bar Hangers, 26" Long, Pair HB50=C Channel Bar Hangers, 50" Long, Pair FK5=5 Amp Field Installable Fuse Kit 300V Max RMB-22=Wood Joist Bar Hanger, 22" Long, Pair