

DESCRIPTION

6-inch square recessed horizontal open downlight designed for use with compact fluorescent 18/26/32/42W TTT or DTT lamps. Two-stage reflector system produces smooth distribution with excellent light control and low aperture brightness. Lens downlight is interchangeable within the same housing.

Catalog #		Type
Project		
Comments		Date
Prepared by		

SPECIFICATION FEATURES

Reflector

Miro® curved upper reflector provides smooth beam with even distribution. Lower reflector available in all Portfolio finishes.

Trim Retention

Reflector is retained with two torsion springs holding the flange tightly to the finished ceiling surface.

Plaster Frame / Collar

Galvanized steel plaster frame with adjustable collar adjusts for up to 2" thick ceilings and rotates +/- 7.5°.

Universal Mounting Bracket

Accepts 1/2" EMT, C channel and bar hangers and adjusts 5" vertically from above and below the ceiling.

Junction Box

(4) 1/2" and (2) 3/4" trade size pry outs positioned to allow straight conduit runs. Listed for (8) #12 AWG (four in, four out) 90°C conductors and feed thru branch wiring.

Rotary Lock Socket

18W lamps: 4-pin Gx24q2;
26/32W lamps: 4-pin Gx24q3;
42W lamps: Gx24q4.

Bases have fatigue-free stainless steel lamp spring to ensure positive lamp retention.

Electronic Ballast

Electronic ballast provides full light output and rated lamp life. Provides flicker-free and noise-free operation and starting. End of lamp life protection is standard.

Labels

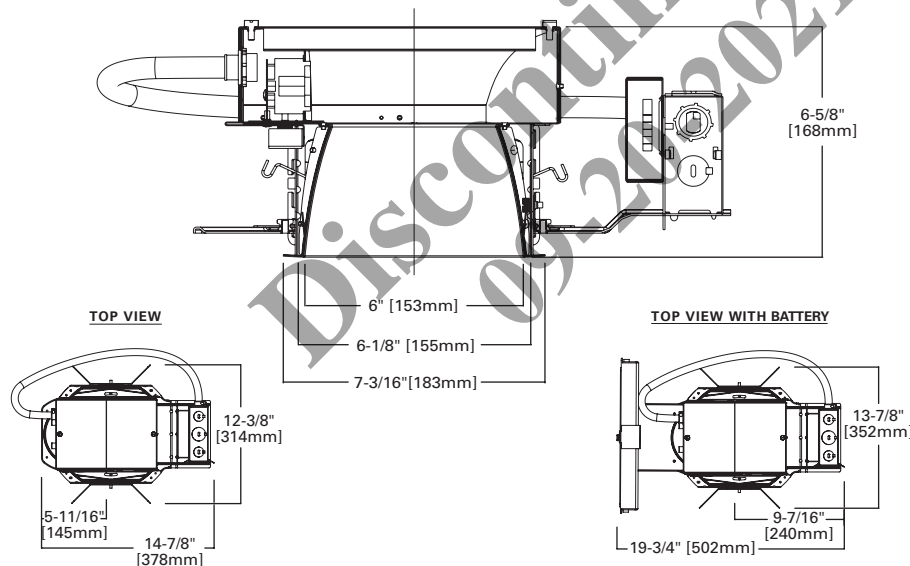
Thermally protected and cULus listed, standard damp label. ARRA compliant.



CSO6142 6CSQ

18/26/32/42W DTT or TTT
Compact Fluorescent

6-Inch Square Downlight



ENERGY DATA	
18W 4-pin	
Ballast: Electronic	
120V Input Watts: 20	Line Amps: 0.17
277V Input Watts: 20	Line Amps: 0.08
Power Factor: >0.99	THD: <10%
Min. Starting Temperature: -10°C (0°F)	
Sound Rating: Class A Standards	

18W 4-pin	
Ballast: Electronic	
120V Input Watts: 27	Line Amps: 0.23
277V Input Watts: 29	Line Amps: 0.11
Power Factor: >0.99	THD: <10%
Min. Starting Temperature: -18°C (0°F)	
Sound Rating:	

18W 4-pin	
Ballast: Electronic	
120V Input Watts: 36	Line Amps: 0.31
277V Input Watts: 36	Line Amps: 0.13
Power Factor: >0.99	THD: <10%
Min. Starting Temperature: -18°C (0°F)	
Sound Rating:	

42W TTT	
Ballast: Electronic	
120V Input Watts: 46	Line Amps: 0.38
277V Input Watts: 46	Line Amps: 0.17
Power Factor: >0.99	THD: <10%
Min. Starting Temperature: -18°C (0°F)	
Sound Rating: Class A Standards	

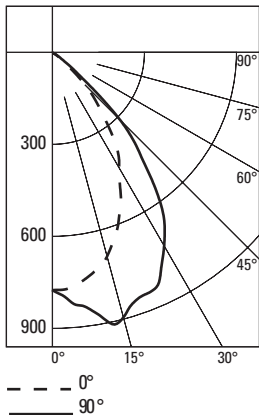
NOTES: Accessories should be ordered separately. For additional options, please consult your Cooper Lighting Solutions Representative. Alzak is a registered trademark of Aluminum Company of America.

EXAMPLE:CSQ6142ECP 6CSQ1LI WF

Housing	Wattage	Ballast	Options	Reflector	Finish	Option	Accessories
CSQ6=6" CFL Horizontal 142=(1) 26, 32, 42WTTT 118=(1) 18W		E=120/277V 50/60 Hz Electronic 3E=347V 50/60 Hz Electronic D5LT18=18W 120-277V Fifth Light (DALI Dimming) D5LT26=26W 120-277V Fifth Light (DALI Dimming) D5LT32=32W 120-277V Fifth Light (DALI Dimming) D5LT42=42W 120-277V Fifth Light (DALI Dimming) 3D5LT26/32=26W or 32W 347V Fifth Light (DALI Dimming) D18=18W 120-277V Dimming Lutron EcoSystem/3-Wire Control (Factory Wired for 3-Wire) D26/32=26W or 32W 120-277V Dimming Lutron EcoSystem/3-Wire Control (Factory Wired for 3-Wire) D42=42W 120-277V Dimming Lutron EcoSystem/3-Wire Control (Factory Wired for 3-Wire) D26MARKVII=26W 120-277V Advance MARK7 D32MARKVII=32W 120-277V Advance MARK7 D42MARKVII=42W 120-277V Advance MARK7 DMARKVII=18W 120-277V Advance MARK 7 (CSQ6118 only) 1D26MARKX=26W 120V Advance MARK 10 1D32MARKX=32W 120V Advance MARK 10 1D42MARKX=42W 120V Advance MARK 10 2D26MARKX=26W 277V Advance MARK 10 2D32MARKX=32W 277V Advance MARK 10 2D42MARKX=42W 277V Advance MARK 10 1DMARKX=18W 120V Advance MARK 10 (CSQ6118 only) 2DMARKX=18W 277V Advance MARK 10 (CSQ6118 only)	CP=Chicago Plenum EM=Emergency Module with remote test switch	6CSQ1=Downlight Reflector, Self Flanged 6CSQ0=Downlight Reflector, Polymer Trim Ring	LI=Low Iridescent Clear H=Haze WMH=Warm Haze G=Gold WH=Wheat WHH=Wheat Haze W=Gloss White GP=Graphite GPH=Graphite Haze B=Specular Black	WF=White Painted Flanged (Self Flanged only)	HB26=C Channel Bar Hangers, 26" Long, Pair HB50=C Channel Bar Hangers, 50" Long, Pair RMB-22=Wood Joist Bar Hanger, 22" Long, Pair

PHOTOMETRICS

Candlepower Distribution Curve



Test No. P31058
CSQ6142E-6CSQ1LI
Lamp = 32W PLT
Lumens = 2400
Spacing Criteria: 0° = .9, 90° = 1.3
Efficiency = 58%

Cone of Light

D	FC	L	W
5'0"	39	4.5	6.5
7'0"	20	6.5	9
8'0"	15	7.5	10
9'0"	12	8.5	11
10'0"	10	9	12.5

Zonal Lumen Summary

Zone	Lumens	%Fixture
0-30	730	52.4
0-40	1095	78.6
0-60	1377	98.8
0-90	1393	100.0
90-180	0	0.0
0-180	1393	100.0

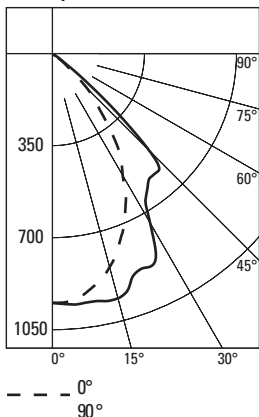
Luminance

Degrees	CD/SQ M	
	0°	90°
45	11991	23191
55	2776	4427
65	1120	1528
75	499	499
85	0	0

Candela Distribution

Degrees Vertical	0° 90°	
	0	905
5	896	962
15	807	1047
25	622	966
35	422	735
45	197	381
55	37	59
65	11	15
75	3	3
85	0	0
90	0	0

Candlepower Distribution Curve



Test No. P31072
CSQ6142E-6CSQ1LI
Lamp = 32W TTT
Lumens = 2400
Spacing Criteria: 0° = .9, 90° = 1.2
Efficiency = 56.3%

Cone of Light

D	FC	L	W
5'0"	38	4.5	6
7'0"	19	6.5	8
8'0"	15	7.5	9.5
9'0"	12	8.5	10.5
10'0"	9	9.5	11.5

Zonal Lumen Summary

Zone	Lumens	%Fixture
0-30	699	51.7
0-40	1039	76.9
0-60	1335	98.8
0-90	1351	100.0
90-180	0	0.0
0-180	1351	100.0

Luminance

Degrees	CD/SQ M	
	0°	90°
45	12113	32382
55	3002	4577
65	1120	1629
75	499	499
85	494	0

Candela Distribution

Degrees Vertical	0° 90°	
	0	946
5	935	956
15	840	962
25	657	890
35	437	630
45	199	532
55	40	61
65	11	16
75	3	3
85	1	0
90	0	0